



RAGE PRO and Derivatives Programmer's Guide

Technical Reference Manual

P/N: PRG-215R3-00-10 Rev 1.0

© 2000 ATI Technologies Inc.

CONFIDENTIAL MATERIAL

All information contained in this manual is confidential material of ATI Technologies Inc. Unauthorized use or disclosure of the information contained herein is prohibited.

You may be held responsible for any loss or damage suffered by ATI for your unauthorized disclosure hereof, in whole or in part. Please exercise the following precautions:

- Store all hard copies in a secure place when not in use.
- Save all electronic copies on password protected systems.
- Do not reproduce or distribute any portions of this manual in paper or electronic form (except as permitted by ATI).
- Do not post this manual on any LAN or WAN (except as permitted by ATI).

Your protection of the information contained herein may be subject to periodic audit by ATI. This manual is subject to possible recall by ATI.

The information contained in this manual has been carefully checked and is believed to be entirely reliable. No responsibility is assumed for inaccuracies. ATI reserves the right to make changes at any time to improve design and supply the best product possible.

ATI, *mach64*, **3D RAGE**, **RAGE THEATER**, **RAGE 128**, and **RAGE HDTV** are trademarks of ATI Technologies Inc. All other trademarks and product names are properties of their respective owners.

Record of Revisions

| Release | Date | Description of Changes |
|---------|----------|--|
| 1.0 | March 00 | Formerly Mach64 Programmer's Guide. Updated Chapters 1,3,7,8. Removed old Appendices A-F and added new Appendices A-K. |

Technical Reference Manuals

- *mach64* BIOS Kit (BIO-G01000)
- *mach64* Graphics Controller Specifications ATI-264CT/ET (GCS-C022001-00)
- *mach64* Graphics Controller Specifications ATI-88800GX (GCS-C012001-00)
- *mach64* Graphics Controller Specifications ATI-264VT (GCS-C02500)
- *mach64* Programmer's Guide (PRG-G01000)
- *mach64* Register Reference Guide (RRG-S022001-00)
- *mach64* Register Reference Guide ATI-264VT (RRG-C02500)
- *mach64* VGA Register Guide (VGA-S022001-00)

Table of Contents

Chapter 1: Overview

| | | |
|-------|--|----|
| 1.1 | Introduction | 11 |
| 1.2 | Brief History of ATI Graphics Products | 11 |
| 1.2.1 | VGAWONDER | 11 |
| 1.2.2 | <i>mach8</i> | 12 |
| 1.2.3 | <i>mach32</i> | 12 |
| 1.2.4 | <i>mach64</i> | 12 |
| 1.3 | <i>mach64</i> CT Family | 15 |
| 1.3.1 | <i>mach64</i> VT | 15 |
| 1.3.2 | <i>mach64</i> GT (3D RAGE, RAGE II, II+, IIC, RAGE PRO)..... | 15 |
| 1.3.3 | <i>mach64</i> LB (RAGE LT-PRO) | 15 |
| 1.3.4 | <i>mach64</i> GM (RAGE XL) | 16 |
| 1.3.5 | <i>mach64</i> LM (RAGE MOBILITY M/P/ M1) | 16 |
| 1.4 | Features..... | 17 |
| 1.4.1 | <i>mach64</i> Major Features | 17 |
| 1.4.2 | Functional Enhancements Relative To <i>mach32</i> | 18 |
| 1.4.3 | Deletions Relative To <i>mach32</i> | 18 |
| 1.4.4 | Functional Differences From <i>mach32</i> | 19 |
| 1.5 | Overview of the Manual..... | 19 |
| 1.5.1 | Chapter-By-Chapter Summary | 19 |
| 1.5.2 | Notations And Conventions Used In This Manual | 20 |

Chapter 2: Using the *mach64*

| | | |
|-------|-----------------------------------|-----|
| 2.1 | Introduction | 2-1 |
| 2.2 | Intel Based Architecture | 2-1 |
| 2.2.1 | Memory Map | 2-1 |
| 2.2.2 | BIOS Services..... | 2-2 |
| 2.2.3 | Registers..... | 2-3 |
| 2.3 | Non-Intel Based Architecture..... | 2-6 |
| 2.3.1 | Memory Map | 2-6 |
| 2.3.2 | BIOS Services..... | 2-7 |
| 2.3.3 | Registers..... | 2-7 |

Chapter 3: Getting Started

| | | |
|-------|---|------|
| 3.1 | Introduction | 3-1 |
| 3.2 | Before you start | 3-1 |
| 3.2.1 | Accelerator vs. VGA | 3-1 |
| 3.2.2 | Linear Aperture vs. VGA Aperture | 3-2 |
| 3.2.3 | Protected Mode vs. Real Mode..... | 3-4 |
| 3.3 | mach64 Detection..... | 3-5 |
| 3.3.1 | Card Detection | 3-5 |
| 3.3.2 | I/O Base | 3-6 |
| 3.3.3 | Read/Write Test..... | 3-7 |
| 3.3.4 | CONFIG_CHIP_ID | 3-7 |
| 3.4 | Mode Switching | 3-7 |
| 3.4.1 | BIOS Interface | 3-9 |
| 3.4.2 | Manual Mode Switching and Custom CRT Modes..... | 3-10 |

Chapter 4: Linear Aperture

| | | |
|-------|--|-----|
| 4.1 | Introduction | 4-1 |
| 4.2 | Aperture Base Address | 4-1 |
| 4.3 | Convert Physical Address | 4-2 |
| 4.4 | Enable the Aperture..... | 4-3 |
| 4.5 | Using the Linear Aperture..... | 4-3 |
| 4.5.1 | Memory Organization Of Pixels..... | 4-3 |
| 4.6 | Complete Example of Using the Aperture | 4-5 |
| 4.7 | VGA Interaction..... | 4-6 |

Chapter 5: Engine Initialization

| | | |
|-------|---|-----|
| 5.1 | Introduction | 5-1 |
| 5.2 | Background Information on the mach64 Engine | 5-1 |
| 5.2.1 | Command FIFO Queue..... | 5-1 |
| 5.2.2 | Other Essentials | 5-3 |
| 5.3 | Preliminary Essentials | 5-3 |
| 5.3.1 | mach64 Detection | 5-3 |
| 5.3.2 | Hardware Query..... | 5-3 |
| 5.3.3 | Save/Restore Old Video Mode Information | 5-3 |
| 5.3.4 | Open Mode | 5-3 |

| | | |
|-------|-------------------------------------|-----|
| 5.3.5 | Initializing The Engine | 5-3 |
| 5.4 | Opening and Closing a Mode | 5-4 |
| 5.4.1 | Opening..... | 5-4 |
| 5.4.2 | Reading from the Palette..... | 5-6 |
| 5.4.3 | Writing to the Palette | 5-6 |
| 5.5 | Initializing the Engine | 5-7 |
| 5.5.1 | Setup Standard Engine Context | 5-7 |
| 5.5.2 | InitEngine Example | 5-9 |

Chapter 6: Engine Operations

| | | |
|-------|--|------|
| 6.1 | Introduction | 6-1 |
| 6.2 | Background Information | 6-1 |
| 6.2.1 | Details About the Registers | 6-1 |
| 6.2.2 | Logical Pixel Data Path | 6-2 |
| 6.2.3 | Trajectories | 6-10 |
| 6.2.4 | Side Effects Of Trajectories | 6-19 |
| 6.2.5 | Source And Destination Alignment | 6-20 |
| 6.2.6 | Source and Destination Mixing Logic | 6-22 |
| 6.2.7 | Remarks On Pixel Depth | 6-23 |
| 6.3 | Draw Operations..... | 6-24 |
| 6.3.1 | Color Source | 6-24 |
| 6.3.2 | Standard BitBlt Source | 6-31 |
| 6.3.3 | Specialized BitBlt Source | 6-35 |
| 6.3.4 | Pattern Source | 6-38 |
| 6.4 | Miscellaneous Operations | 6-40 |
| 6.4.1 | Drawing In Packed 24 Bit Per Pixel Mode..... | 6-40 |
| 6.4.2 | Scissoring and Masking | 6-42 |
| 6.4.3 | Hardware Cursor..... | 6-43 |

Chapter 7: Advanced Topics

| | | |
|-------|---|-----|
| 7.1 | Introduction | 7-1 |
| 7.2 | Polygons | 7-1 |
| 7.3 | Scrolling and Panning..... | 7-5 |
| 7.4 | CRT Synchronization and Animation | 7-5 |
| 7.4.1 | Double Buffering (Memory)..... | 7-5 |
| 7.4.2 | Double Buffering (Palette)..... | 7-6 |
| 7.4.3 | Single Buffering (Synchronized)..... | 7-6 |

- 7.4.4 Single Buffering (Delta Framing).....7-7
- 7.5 Manual Mode Switching And Custom CRT Modes7-7
 - 7.5.1 Manual Mode Switching.....7-7
 - 7.5.2 Designing A Custom CRT Mode7-9
- 7.6 Interrupts7-13
- 7.7 Off-Screen Memory Management7-14
- 7.8 Boot -Time Initialization7-19
- 7.9 Performance Issues.....7-20
 - 7.9.1 Redundancy7-20
 - 7.9.2 Draw Speed.....7-20
 - 7.9.3 Concurrency.....7-21
 - 7.9.4 Efficiency.....7-21
 - 7.9.5 Expansion Buses.....7-21
 - 7.9.6 Block Write.....7-22
 - 7.9.7 Memory Bandwidth.....7-22
 - 7.9.8 Performance.....7-25

Chapter 8: mach64VT/GT Specific Features

- 8.1 Introduction8-1
- 8.2 Summary of Additional Features8-1
- 8.3 mach64VT/GT Register Access.....8-2
 - 8.3.1 Memory Map8-2
 - 8.3.2 Determining Register Address.....8-3
 - 8.3.3 Enabling Register Block 18-4
- 8.4 Hardware Overlay/Scaler8-4
 - 8.4.1 Overlay8-5
 - 8.4.2 Scaler8-5
 - 8.4.3 Color Keyer8-6
 - 8.4.4 Color Interpolator/ Alpha Blender.....8-6
 - 8.4.5 Color Space Converter.....8-7
- 8.5 Packed Pixel Modes8-8
- 8.6 Planar Pixel Modes.....8-8
- 8.7 Unpacker / Dynamic Range Corrector8-10
- 8.8 Overlay Programming8-11
 - 8.8.1 Overlay Scaling8-11
 - 8.8.2 UV Interpolation.....8-12
- 8.9 Front End Scaler Programming.....8-13

| | | |
|--------|---|------|
| 8.9.1 | Front End Scaler Operation | 8-13 |
| 8.9.2 | Performing a Blt Using the Front End Scaler | 8-13 |
| 8.10 | Bus Master Programming..... | 8-15 |
| 8.10.1 | Bus Master Operation | 8-15 |
| 8.10.2 | Creating a Descriptor Table..... | 8-15 |
| 8.10.3 | Setting up a System Bus Master Transfer..... | 8-17 |
| 8.10.4 | Setting up a GUI Master Operation | 8-17 |

Appendix A: Video BIOS Functions Specification

| | | |
|------|---|------|
| A.1 | Calculating ROM Base Address..... | A-1 |
| A.2 | Function Calls..... | A-1 |
| A.3 | Compatibility | A-1 |
| A.4 | Function 00h – Load Coprocessor CRTC Parameters..... | A-2 |
| A.5 | Function 01h – Set Display Mode | A-3 |
| A.6 | Function 02h – Load Coprocessor CRTC Parameters and Set Display Mode..... | A-3 |
| A.7 | Function 03h – Read EEPROM Data | A-3 |
| A.8 | Function 04h – Write EEPROM Data | A-4 |
| A.9 | Function 05h – Memory Aperture Service..... | A-4 |
| A.10 | Function 06h – Short Query Function | A-4 |
| A.11 | Function 07h – Return Graphics Hardware Capability List..... | A-5 |
| A.12 | Function 08h – Return Query Device Data Structure in Bytes | A-7 |
| A.13 | Function 09h – Query Device..... | A-7 |
| A.14 | Function 0Ah – Return Clock Chip Frequency Table..... | A-8 |
| A.15 | Function 0Bh – Program a Specified Clock Entry | A-8 |
| A.16 | Function 0Ch – DPMS Service, Set DPMS Mode | A-9 |
| A.17 | Function 0Dh – Return Current DPMS State in LC..... | A-9 |
| A.18 | Function 0Eh – Set Graphics Controller Power Management State | A-9 |
| A.19 | Function 0Fh – Return Current Graphics Controller Power Management State..... | A-9 |
| A.20 | Function 10h – Set the DAC to Different States | A-10 |
| A.21 | Function 11h – Return External Storage Device Information..... | A-10 |
| A.22 | Function 12h – Short Query | A-11 |
| A.23 | Function 13h – Display Data Channel Support (DDC)..... | A-11 |
| A.24 | Function 14h – Save and Restore Graphics Controller States..... | A-14 |
| A.25 | Function 15h – Refresh Rate Support..... | A-15 |

| | |
|--|------|
| A.26 Function 16h – Video Feature Support | A-17 |
| A.27 Function 17h – Enable / Disable Video Input Capture Mode and Return Video Capture Capability | A-21 |
| A.28 Function 18h – Reserved for UMA..... | A-27 |
| A.29 Function 19h – TVOut Hooks (not supported in LT PRO)..... | A-27 |
| A.30 Query Structure | A-28 |
| A.31 Mode Table Structure | A-32 |
| A.32 EEPROM Data Structure..... | A-34 |
| A.33 CRT Parameter | A-37 |
| A.34 Scratch Registers | A-38 |
| A.35 ROM Header | A-40 |
| A.35.1 TVOut Information..... | A-41 |
| A.35.2 Hardware Information Table | A-42 |
| A.35.3 Multiple TV Standard Feature | A-44 |
| A.35.4 BIOS Driver Information Table..... | A-44 |
| A.35.5 Panel EDID Override Table..... | A-45 |

Appendix B: 3D RAGE LT PRO and RAGE Mobility Specific Functions

| | |
|--|------|
| B.1 Introduction | B-1 |
| B.2 Function Calls..... | B-1 |
| B.3 Extended ROM Services | B-1 |
| B.4 Function 80h - Return Panel Type and Controller Supported Information | B-2 |
| B.5 Function 81h - Return Panel Identity Information | B-12 |
| B.6 Function 82h – VESA BIOS Extensions / Flat Panel Functions | B-12 |
| B.7 Function 83h – LCD / Monitor / TV Detection..... | B-20 |
| B.8 Function 84h – Return / Select Active Display | B-21 |
| B.9 Function 85h – Return / Select Power Management Mode..... | B-22 |
| B.10 Function 86h – In and Out Of Suspend State (not supported in LT PRO and Mobility)..... | B-23 |
| B.11 Function 87h – Return / Select Refresh Rate | B-23 |
| B.12 Function 88h – Return / Select Dithering | B-25 |
| B.13 Function 89h – Return / Select Cursor Blink Rate | B-26 |
| B.14 Function 8Ah – Hardware ICON Support..... | B-26 |
| B.15 Function 8Bh – Set CMOS Information..... | B-30 |
| B.16 Function 8Ch – Return / Select 475 Lines VGA Mode..... | B-31 |

| | |
|--|------|
| B.17 Function 8Dh – Return Current Display Information..... | B-32 |
| B.18 Function 8Eh - LCD Display Data Channel Support (DDC) | B-33 |
| B.19 Function 8Fh – Get / Set Video BIOS Information | B-34 |
| B.20 Function 04Exxh – System BIOS Int 15h | B-35 |

Appendix C: RAGE XL Specific Functions

| | |
|---|------|
| C.1 Introduction..... | C-1 |
| C.2 Function Calls | C-1 |
| C.3 Function 80h - Return Panel Type and Controller Supported Information (not supported in RAGE XL)..... | C-1 |
| C.4 Function 81h - Return Panel Identity Information (not supported in RAGE XL) | C-2 |
| C.5 Function 82h – VESA BIOS Extensions / Flat Panel Functions (not supported in RAGE XL) | C-2 |
| C.6 Function 4F11h – VESA VBE / Flat Panel BIOS | C-2 |
| C.7 Function 83h – LCD / Monitor / TV Detection | C-4 |
| C.8 Function 84h – Return / Select Active Display | C-5 |
| C.9 Function 85h – Return / Select Power Management Mode | C-6 |
| C.10 Function 87h – Return / Select Refresh Rate..... | C-8 |
| C.11 Function 88h – Return / Select Dithering | C-9 |
| C.12 Function 89h – Return / Select Cursor Blink Rate | C-10 |
| C.13 Function 8Ah – Hardware ICON Support (not supported in RAGE XL) | C-11 |
| C.14 Function 8Dh – Return Current Display Information..... | C-11 |
| C.15 Function 8Eh - LCD Display Data Channel Support (DDC) | C-11 |
| C.16 Function 04Exxh – System BIOS Int 15h (not supported in RAGE XL) | C-13 |

Appendix D: TVOut Specific Functions

| | |
|---|-----|
| D.1 Introduction | D-1 |
| D.2 Function 70h – Return / Select TVOut Configuration | D-1 |
| D.3 Function 71h – Return TV Standard..... | D-3 |
| D.4 Function 72h – Re-initialize Digital Signal Processor | D-4 |

| | |
|--|-----|
| D.5 Function 73h – Return / Select TVOut Auto-Display Switch..... | D-4 |
| D.6 Function 74h – Return TVOut Aligner Information For Slow Aligner Algorithm..... | D-4 |
| D.7 Function 75h – Return TVOut Aligner Group | D-5 |
| D.8 Function 76h – Return TVOut Aligner Information For Fast Aligner Algorithm | D-6 |

Appendix E: CRTC Parameters

| | |
|--|------|
| E.1 Introduction..... | E-1 |
| E.2 CRTC Parameters for 640x480..... | E-1 |
| E.3 CRTC Parameters for 800x600..... | E-4 |
| E.4 CRTC Parameters for 1024x768..... | E-8 |
| E.5 CRTC Parameters for 1152x864..... | E-11 |
| E.6 CRTC Parameters for 1280x1024..... | E-14 |
| E.7 CRTC Parameters for 1600x1200..... | E-17 |

Appendix F: Parameter Table Format

| | |
|--|-----|
| F.1 Table Description..... | F-1 |
| F.2 Spare Bits in Parameter Table..... | F-3 |

Appendix G: Pixel Clock Tables

| | |
|----------------------------------|-----|
| G.1 ATI-18811-1 Clock Chip | G-1 |
|----------------------------------|-----|

Appendix H: Scratch Registers

| | |
|--|-----|
| H.1 Scratch Registers and Their Contents | H-1 |
|--|-----|

Appendix I: ROM Header

| | |
|----------------------|-----|
| I.1 ROM Header | I-1 |
|----------------------|-----|

Appendix J: Programming PLL Registers in mach64 CT Family

| | |
|-----------------------|-----|
| J.1 Introduction..... | J-1 |
|-----------------------|-----|

| | |
|--|-----|
| J.2 PLL Registers..... | J-1 |
| J.3 Clock Sources | J-4 |
| J.4 External Clock Support..... | J-4 |
| J.5 Frequency Limits | J-5 |
| J.6 Frequency Synthesis Description..... | J-5 |
| J.7 Duty Cycle Control..... | J-8 |
| J.8 PLL Gain Settings..... | J-8 |

Appendix K: Display Register Setting Calculations

| | |
|---|-----|
| K.1 Display Register Setting Calculations | K-1 |
|---|-----|

Appendix L: Bibliography

1.1 Introduction

This manual is a guide to understanding and programming the *mach64* accelerator. The *mach64* accelerator is a fixed-function, 2D graphics accelerator. It is function-compatible, but not register-compatible, with its predecessor – the *mach32* accelerator. It is not register compatible, yet it is function compatible, with *mach32*.

Those seeking a general understanding of the features and functions of the *mach64* only need to read *Chapter 2: Using the mach64*. Very specific examples and techniques are described in following chapters - *Chapter 3: Getting Started*; *Chapter 4: Linear Aperture*; *Chapter 5: Engine Initialization*; *Chapter 6: Engine Operations*; *Chapter 7: Advanced Topics* and *Chapter 8: mach64TV/GT Specific Features*.

The scope of this programmer's guide includes the *mach64* VT and GT (3D RAGE, RAGE PRO and its derivatives which include the LT-PRO, RAGE XL and RAGE MOBILITY) accelerator chips. Those wishing to obtain programming information on earlier *mach64* variants (GX and CT) should obtain the older version of the *mach64* Programmer's Guide (contact ATI Developer Relations).

1.2 Brief History of ATI Graphics Products

To understand how the *mach64* relates to earlier ATI chips for compatibility, a short discussion of these earlier chips is necessary.

Although ATI did manufacture graphics boards prior to the introduction of the Video Graphics Array (VGA) by IBM in 1987, they will not be covered in the following discussion.

1.2.1 VGAWONDER

The VGAWONDER family (ATI18800 and ATI28800) were non-accelerated chips that fully implemented the IBM VGA standard. In addition, they also supported SuperVGA graphics modes of up to 1024x768 at 8bpp or 640x480 at 24bpp, depending on chip revision and amount of memory. These additional modes were supported with ATI-specific extended VGA registers.

VGAWONDER-based boards only came in ISA bus versions as it predates most of the extended bus architectures.

1.2.2 *mach8*

The *mach8* (ATI38800) was ATI's first true Graphics Accelerator, providing hardware assisted drawing capabilities for 2D primitives like lines, rectangles and polygons. It was register compatible with the IBM 8514/A Display Adapter. Thus any applications or drivers that supported the 8514/A would run on a *mach8* without any modification. The *mach8* also extended on the 8514/A specification.

The *mach8* did not have any VGA compatibility so a separate VGA controller was required for standard text and VGA modes. Some *mach8* boards, like the GRAPHICS VANTAGE and GRAPHICS ULTRA included a VGAWONDER controller on the same board as the *mach8* to provide this VGA support. The VGA controller had its own memory, completely separate from the *mach8* accelerator's memory.

mach8-based boards were produced in both ISA and Microchannel versions.

1.2.3 *mach32*

The *mach32* chip (ATI68800) is the immediate predecessor to the current *mach64* family. The *mach32* was register compatible with both the IBM 8514/A and the *mach8*. The *mach32* also contained a VGA controller on the chip that was compatible with the VGAWONDER so a separate VGA controller was not needed. The memory on the *mach32* board was shared between the VGA controller and the *mach32* accelerator.

The *mach32* improved upon the *mach8* by providing a linear aperture to allow fast image data transfer by mapping the video memory to the system memory address space. Later revisions of the *mach32* also were able to memory map the *mach32* registers to overcome the performance penalty incurred in going through I/O port-mapped registers. Finally, the *mach32* contained a hardware cursor.

mach32-based boards were produced in five bus types: ISA, EISA, VESA Local Bus, Microchannel, and PCI.

1.2.4 *mach64*

The *mach64* represented a departure from the *mach32* in that it was no longer register compatible with previous ATI graphics accelerators or the 8514/A. (VGA register compatibility was retained, however.) This departure was necessary to resolve some design limitations that were a legacy of the older generation chips. Fortunately, almost all the functionality that was in the *mach32* was preserved in the *mach64* design, and some useful additions and enhancements were incorporated.

As indicated on the table below, the *mach64* can be divided into two major types, the GX family and the CT family. While applications that use the *mach64* should run on both types with little or no modification, there are some important differences between the two

families that are highlighted in the following sections.

Boards based on *mach64* are produced in ISA, VESA Local Bus and PCI bus versions.

Table 1-1 *mach64* Product Families

| <i>mach64</i> Feature Set Variations | | | | | | | | | |
|---|-------------------------------|--------------|---------------------|---------------------|-------------------------------|-----------|---|--|--|
| Feature | <i>mach64GX</i> Family | | | | <i>mach64CT</i> Family | | | | |
| | GX-C/D | GX-E* | GX-F | CX | CT | VT | GT (RAGE I, RAGE II, II+, IIC, RAGE PRO) | LB/GM (RAGE LT- PRO, RAGE XL) | LM (RAGE MOBILI TY M/P/M1) |
| Relocatable I/O (PCI only)† | | | ✓† | | ✓† | ✓ | ✓ | | |
| Maximum Memory | 8MB | 8MB | 8MB | 4MB | 4MB | 4MB | 8/16 MB | | |
| Minimum Memory | 512KB | 1MB | 1MB | 512KB | 1MB | 1MB | 1MB | | |
| Standard Linear Aperture (little endian) | ✓ | ✓ | ✓ | ✓ | ✓ | ✓ | ✓ | | |
| Extended Linear Aperture (big endian) | | ✓ | ✓ | | ✓ | ✓ | ✓ | | |
| Linear Aperture Boundary | 8MB‡ | 16MB | 16MB | 8MB | 16MB | 16MB | 16MB | | |
| ATI SVGA Extended Register Set | ✓ | ✓ | ✓ | ✓ | | | | | |
| Supported bus types | ISA, VLB, PCI | PCI | ISA, VLB, PCI | ISA, VLB, PCI | PCI | PCI | PCI, AGP | | |

* Revision E was a short-lived version that was only used in Apple Power Macintosh-based boards.

†Relocatable I/O requires a hardware strap to be enabled. If the feature is enabled, the standard I/O base addresses do not apply.

‡ A 4MB boundary is possible if the linear aperture size is set to 4MB.

Δ 16 MB maximum on 3D RAGE PRO chips only.

C/DRevisions C and D.

1.2.4.1 *mach64GX* Family

The *mach64GX* Family encompasses the *mach64GX* (ATI888GX00) and *mach64CX* (ATI888CX00) variants. The major distinguishing characteristics of this family are:

- Uses an external DAC
- Uses an external clock synthesizer

- Support for VRAM
- VGA controller is ATI VGAWONDER compatible
- VGA controller is independently programmable from the accelerator controller

From a very rough architectural perspective, the *mach64GX* family more resembles the *mach32* than it does the *mach64CT* family. However, from a functionality and register level perspective, the *mach64GX* is almost identical to the *mach64CT*.

1.3 *mach64CT* Family

The *mach64CT* Family encompasses the *mach64CT* (ATI264CT), *mach64VT* (ATI264VT) and *mach64GT* (3D RAGE) variants. The major distinguishing characteristics of this family are:

- Integrated DAC
- Integrated clock synthesizer
- No VRAM support
- VGA controller is “pure” VGA, not VGAWONDER compatible
- VGA controller is not independently programmable from the accelerator controller

1.3.1 *mach64VT*

The *mach64VT* family of chips is built upon the previously mentioned CT. They have the same feature set as the CT, plus some additional video features such as:

- back end hardware overlay
- back end hardware scaler

1.3.2 *mach64GT* (3D RAGE, RAGE II, II+, IIC, RAGE PRO)

The *mach64GT* (commonly known as the 3D RAGE) introduces hardware support for 3D operations. While low level 3D operations are not discussed in this guide, we do demonstrate the usage of front and end scaler, which is part of the 3D pipeline. The 3D RAGE includes all *mach64VT* features with the addition of:

- hardware 3D acceleration
- improved video filtering
- integrates motion compensation (RAGE PRO only)

1.3.3 *mach64LB* (RAGE LT-PRO)

The *mach64LB* (commonly known as the RAGE LT-PRO) provides the *mach64GT* core hardware support for 3D operations. The RAGE LT-PRO includes all *mach64GT* features with the addition of:

- integrates TV-Encoder, LVDS, and Dual CRT Controllers
- low graphics subsystem power

1.3.4 mach64GM (RAGE XL)

The mach64GM (commonly known as the RAGE XL) provides the mach64GT core hardware support for 3D operations. The RAGE XL includes all mach64GT features with the addition of:

- integrated TMDS for flat panels
- integrates motion compensation

1.3.5 mach64LM (RAGE MOBILITY M/P/ M1)

The mach64LM (commonly known as the RAGE MOBILITY) provides the mach64GT core hardware support for 3D operations. The RAGE MOBILITY includes all mach64GT features with the addition of:

- very low graphics subsystem power
- integrates TV-Encoder, LVDS, and Dual CRT Controllers
- TMDS LCD Panel Support
- hardware DVD decode via integrated iDCT

1.4 Features

1.4.1 *mach64* Major Features

- Full draw capability at 1, 4, 8, 15, 16, and 32 bits per pixel color resolutions. Hardware-assisted draw functions are available for packed 24 bits per pixel draw modes.
- Standard spatial resolution of 640x480, 800x600, 1024x768, and 1280x1024. Other resolutions with pixel clocks of up to 220 MHz can be supported, limited only by the DAC, memory size, and memory bandwidth.
- Full read/writable memory-mapped registers.
- Up to 8MB of memory (16 for 3D RAGE PRO).
- 32x32 command FIFO.
- Four-color (two fixed colors, complement, and transparent) hardware cursor of size up to 64x64.
- Overscan.
- Linear frame buffer is locatable on 16MB boundaries anywhere in a 4GB system memory address space.
- Paged frame buffer with two 32KB pages (independent read and write pages), pagable on 32KB boundaries anywhere in the 8MB video memory address space.
- Draw functions include rectangle fill, line draw, bitblt, polygon boundary lines, and polygon fill.
- Generalized 2D patterns with rotation.
- A linear memory mode for efficient memory management.
- Efficient monochrome expansion.
- Bit masking and scissoring capabilities.
- Seventeen-function ALU for full suite of logical ROPs.
- Source compare logic suitable for transparent blits.
- Destination compare logic suitable for alpha channel mixing.
- Scrolling and panning on a virtual desktop.
- Big endian support (*mach64GX-E/F*, *mach64CT* Family).
- EEPROM hardware support for non-volatile storage. (Certain controllers are EEPROM-less.)
- Four-level hardware Display Power Management System (DPMS) mode support.

- DAC power-down support.
- Diagnostic test modes.

1.4.2 Functional Enhancements Relative To *mach32*

- Full draw capability in 1 bpp and 32 bpp modes, and hardware assist in packed 24 bpp mode has been added.
- Full 32-bit registers. Some register pairs may be written in a single 32-bit write.
- Device coordinates have been expanded from -4096 to +4095 in the X direction, and from -16384 to +16383 in the Y direction.
- Bresenham parameters have been expanded from 12 bits to 18 bits.
- Packed monochrome expansion.
- The paged frame buffer is now pagable on 32KB boundaries instead of 64KB.
- The source trajectory types, strictly-linear, general-pattern, and general-pattern-with-rotation, have been added.
- Source compare.
- Four-level hardware Display Power Management System (DPMS) mode support.
- DAC power-down support.
- Diagnostic test modes.

1.4.3 Deletions Relative To *mach32*

- Point-to-point line draw.
- Line clip exception handling.
- VNIB and VPIX type rectangles.
- Short-stroke vectors.
- Scan line draw.
- Four compare functions.
- Bounds accumulators.
- CRTC shadow sets.
- Host reads; screen-to-host transfers can still be accomplished by aperture reads.
- Degree mode lines; Bresenham lines are still supported.

All the deleted functions listed above are redundant and may still be accomplished by other means.

1.4.4 Functional Differences From *mach32*

- Monochrome blits are now packed instead of sparse.
- Host writes are packed to 32 bits. The 1 bpp and 4 bpp modes may be optionally aligned to a byte.
- Pixel consumption order from the host data register is only programmable in 1 bpp and 4 bpp modes.
- Polygon fills are always inclusive on both edges and optionally right edge exclusive on the *mach64CT*.
- Polygons derive their boundary data from an implicit polygon source instead of an explicit monochrome source.
- Rectangular trajectories are specified in width and height instead of start and end.
- The ALU carry chain mask is set explicitly instead of implicitly from the pixel depth.
- Line drawing options do not affect rectangular trajectories and rectangle options do not affect line drawing trajectories.
- Destination side effects (tiling) are now programmable.
- Source pointer always returns to the original *SRC_X*, *SRC_Y* position after draw completion.
- Pixel depths, pitches and offsets are independently specified for *CRTC*, source, destination, and host.
- Bresenham parameters have been expanded from 12 bits to 18 bits.

1.5 Overview of the Manual

1.5.1 Chapter-By-Chapter Summary

Chapters 1 to 7 cover the general functionality that is available in all variants of the *mach64*. In *Chapter 8*, the specific details of each particular variant will be covered in depth.

Chapter 2 provides details of the features and basic programming model of the *mach64*.

Chapter 3 demonstrates the fundamental steps that are necessary to use the *mach64* in accelerator mode. Issues such as card detection and setting a display mode are covered here. Programming considerations are also discussed.

Chapter 4 covers the usage of the linear aperture, which provides immediate benefit to programs as they no longer have to deal with bank switching and the 64KB page limit.

Chapter 5 goes into issues covering the accelerator engine itself, such as the command FIFO queue and engine initialization.

Chapter 6 discusses general engine operation, and provides numerous examples of standard engine operations.

Chapter 7 contains some advanced topics that highlight some of the special features and capabilities of the *mach64*.

Chapter 8 covers some other advanced topics specific to the VT and 3D RAGE, including use of the hardware overlay/scaler, the front end scaler of the 3D RAGE, and the bus mastering capabilities of the 3D RAGE PRO

1.5.2 Notations And Conventions Used In This Manual

Mnemonics are used throughout this manual in place of hardware register names. The naming conventions for registers and/or bit fields within a register are as follows:

- **Register_Mnemonic**
- **Register_Mnemonic[Bit_Numbers]**
- **Field_Name@Register_Mnemonic**

The following example is the mnemonic for the Configuration Chip ID register:

`CONFIG_CHIP_ID`

Continuing the above example, the Product Type Code field within the above register occupies bit positions 0 through 15. The examples below describe this field in two ways:

`CONFIG_CHIP_ID[15:0]`

`CONFIG_CHIP_TYPE@CONFIG_CHIP_ID`

The second convention will be the preferred one, with the first convention used mostly for describing unnamed fields.

Hexadecimal numbers will either be prefixed with “0x” (C-style) or appended with “h” (Intel assembly-style). Binary numbers will be appended with “b”. All other numbers are in decimal.

Sample code and functions will be typeset in a **courier** font.

Sample Code Example

```
// Sample Function
void Sample_function (void)
{
    printf ("This is a sample function\n");
} // Sample_function.
```

This page intentionally left blank.

Chapter 2

Using the mach64

2.1 Introduction

This chapter discusses the functionality of the *mach64*. The capabilities and features of the *mach64* are also summarized.

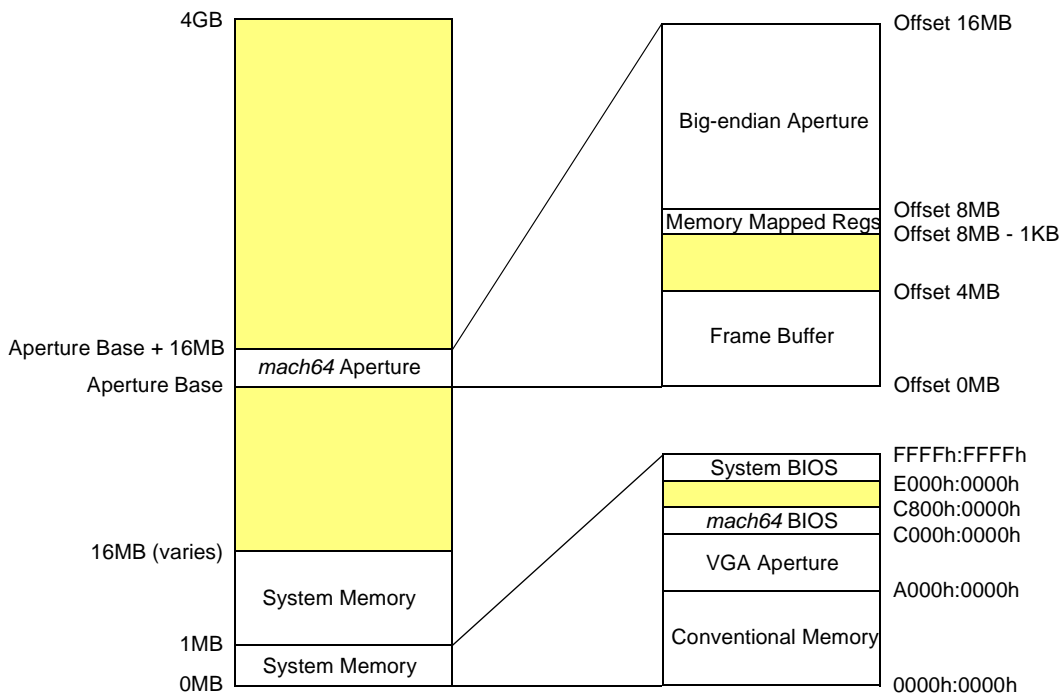
2.2 Intel Based Architecture

This section focuses on the features and services that are available on systems that have Intel and Intel-compatible CPUs as well as those systems that can emulate Intel CPUs.

2.2.1 Memory Map

The *mach64* requires a memory aperture so that an application can access the frame buffer and the memory mapped registers. Normally, this aperture is located somewhere within the 4GB address space where it does not conflict with system (host) memory. Further, this aperture must be located on a 4MB, an 8MB, or a 16MB boundary, depending upon the particular *mach64* chip and configuration. The following diagram illustrates a typical memory organization for a *mach64* board with 4MB of display memory installed on system with 16MB of main memory:

Typical Organization Of *mach64* Aperture Within Host Address Space (PC-compatible)



Aperture Base address can be located anywhere in the shaded region and is aligned to a multiple of 16MB

Figure 2-1. Aperture Within Host Address Space (PC-compatible)

2.2.2 BIOS Services

The BIOS Services provide a straightforward way of setting up and using the *mach64*. The BIOS Services also provide a way of querying the *mach64* hardware in order to determine its capabilities.

VGA modes are initialized with the standard INT 10h interface as described in the *mach64 Register Reference Guide*. For further information on using standard VGA BIOS Services, see *Programmer's Guide to the EGA, VGA, and Super VGA Cards*, by Richard Ferraro.

For accelerator BIOS services, either INT 10h (AH=A0h) or a far call to the ROM can be used. The key services that are provided include loading and setting a display mode, and the BIOS query functions. See *Appendix A, BIOS Services* for a complete definition of all accelerator BIOS services.

2.2.3 Registers

All of the *mach64* accelerator engine functions are performed through the use of the registers. There are 6 classes of registers that are available:

- **VGA Registers** are completely segregated from the accelerator registers. Their functions are mutually exclusive. They are addressed at I/O ports 3B0h-3BFh, 3C0h-3CFh, and 3D0h-3DFh. These are the registers that are provided for compatibility with the IBM VGA Display Adapter. Note that the ATI VGA extended registers at 1CEh-1CFh are only available on the *mach64GX* family in standard (non-relocatable) I/O mode. (See *mach64 Register Reference Guide* for more details.)
- **Setup and Control Registers** are usually initialized only once during boot time and are used for basic configuration of the *mach64* hardware and to report back hardware capabilities. The *mach64* diagnostic registers are also included in this category.
- **Accelerator CRTC and DAC registers** are used to program the resolution, refresh rate, and pixel depth of the display mode, and to provide hardware cursor services.
- **Draw Engine Control Registers** are used for manipulating *mach64* draw engine in terms of general data path setup and control.
- **Draw Engine Trajectory Control Registers** are used to set up and control specific engine drawing operations.
- **Host Bus Dependent Registers** are used for bus-specific information.

Registers must be accessed in order to be useful to the programmer. Most registers are memory mapped. Others are I/O mapped. Some are both. In general, the VGA registers are I/O mapped only, the *mach64* Draw Engine registers are memory mapped only, and the rest of the registers are both I/O and memory mapped. See *mach64 Register Reference Guide* for specifics and exceptions. The following sections demonstrate how to access these registers.

2.2.3.2 Memory Mapping

All registers not associated with the draw engine are I/O mapped, and all have memory mapped register aliases (except for CONFIG_CNTL on *mach64GX-C/D*). All registers are 32 bits wide, except for DAC_REGS, which are 4x8 bit registers. All draw engine registers are memory mapped with DWORD offsets greater than or equal to 40h.

- If the small apertures are enabled, the memory mapped registers may be accessed through a 1KB area at a segment:offset of B000h:FC00h.
- If the big aperture is enabled, the memory mapped registers occupy the address space located at the base address of the aperture, plus an offset of 3FFC00h for a 4MB aperture, or 7FFC00h for an 8MB aperture configuration. A method of accessing extended memory is required to access the registers at this location.

On the *mach64GX* family, memory mapped registers may be read from and written to in 8-bit, 16-bit and 32-bit quantities.

On the *mach64CT* family, writes to the memory mapped registers must be performed in one 32-bit write. The memory mapped registers on the *mach64CT* family may be read in the same manner as on the *mach64GX* family.

Referring to the *mach64 Register Reference Guide*, the **DWORD Offset** or **Memory Map (MM) select** is given to describe the register's address. If access through the small apertures is desired, the physical address can be determined by the following equation:

$$\text{physical memory address} = (\text{MM select} \ll 2) + \text{B000h:FC00h}$$

For example, if the **MM select** = 21h (SCRATCH_REG1), the physical address would be B000h:FC84h.

If the big aperture is enabled, the equation becomes:

$$\text{physical memory address} = (\text{MM select} \ll 2) + \text{aperture base} + \text{memmap offset}$$

where **memmap offset** is either 3FFC00h or 7FFC00h. Using the example above, if the aperture base address is A0000000h, the aperture size is 8MB (offset 7FFC00h) and the **MM select** = 21h (SCRATCH_REG1), the physical memory address would be A07FFC84h.

For some registers, it is necessary to access individual bytes within the 32-bit register (such as DAC_REGS). The **MM select** must be converted to a byte offset before adding the individual byte offset (0, 1, 2, or 3). For example, to access the DAC_MASK byte of DAC_REGS through the small aperture the equation is:

$$\text{byte offset} = \text{MM select} \ll 2 = 30\text{h} \ll 2 = 00\text{C0h (DAC_REGS)}$$

$$\text{individual byte offset} = 2(\text{DAC_MASK byte})$$

$$\begin{aligned} \text{physical memory address} &= \text{byte offset} + \text{individual byte offset} + \text{B000h:FC00h} \\ &= 00\text{C0h} + 2 + \text{B000h:FC00h} = \text{B000h:FCC2h} \end{aligned}$$

For the big aperture, the equation is:

$$\text{byte offset} = \text{MMselect} \ll 2 = 30\text{h} \ll 2 = \text{C0h (DAC_REGS)}$$

$$\text{individual byte offset} = 2(\text{DAC_MASK byte})$$

```

aperture base = A0000000h
memmap offset (8MB) = 7FFC00h
physical memory address = byte offset + individual byte offset +
                        aperture base + memmap offset
                        = C0h + 2 + A0000000h + 7FFC00h = A07FFCC2h

```

2.2.3.3 I/O Mapping

Since the I/O base address may be different depending on the card configuration, it cannot be assumed to be a specific value. The easiest way to obtain the I/O base address is to call *mach64* BIOS function 12h (see Appendix A, *BIOS Services for more information*). The BIOS services can be called in two ways: FAR CALL or INT 10h (it is recommended that the INT 10h method be used).

This function also returns the I/O base address type -- standard or relocatable. If it is standard, the I/O base address will typically be 2ECh. If it is relocatable (only on PCI), the I/O base address can be any value within a 64KB I/O space. The value is decided by the system to insure that no conflicts exist and is in accord with the “plug and play” specification of a PCI system.

In order to use the FAR CALL method, the *mach64* ROM segment is required. The ROM segment for a *mach64* card with the VGA enabled is always at C000h and is normally 32KB in size. To access the BIOS services in the ROM, the offset must be set to 64h. If the VGA is disabled, the ROM segment is usually at C000h or C800h but can be located at other segments. A VGA disabled ROM size is 2KB to 8KB.

Referring to the *mach64 Register Reference Guide*, the **I/O select** is given to describe the register's address. The physical address can be determined by the following equation:

$$\text{physical I/O address} = (\text{I/O select} \ll 10) + \text{I/O base address}$$

For example, if the I/O base address = 2ECh and the I/O select = 11h (SCRATCH_REG1), the physical I/O address would be 46ECh.

If the relocatable feature is enabled (PCI only), the DWORD Offset or Memory Map (MM) select is used to describe the register's address. For this case, the equation becomes:

$$\text{physical I/O address} = (\text{MM select} \ll 2) + \text{I/O base address}$$

Using the example above, if the I/O base address = E000h and the **MM select** = 21h (SCRATCH_REG1), the physical I/O address would be E084h.

For some I/O registers, it is necessary to access individual bytes within the 32-bit register (such as DAC_REGS). The **I/O select** or **MM select** must be converted to a byte offset before adding the individual byte offset (0, 1, 2, or 3).

For example, to access the DAC_MASK byte of DAC_REGS, the equation is:

$$\begin{aligned} \text{byte offset} &= \text{I/O select} \ll 10 = 17\text{h} \ll 10 = 5\text{C}00\text{h} \text{ (DAC_REGS)} \\ \text{individual byte offset} &= 2 \text{ (DAC_MASK byte)} \\ \text{I/O base address} &= 2\text{ECh} \\ \\ \text{physical I/O address} &= \text{byte offset} + \text{individual byte offset} + \text{I/O base address} \\ &= 5\text{C}00\text{h} + 2 + 2\text{ECh} = 5\text{E}\text{E}\text{E}\text{h} \end{aligned}$$

For relocatable I/O, the equation is:

$$\begin{aligned} \text{byte offset} &= \text{MMselect} \ll 2 = 30\text{h} \ll 2 = \text{C}0\text{h} \text{ (DAC_REGS)} \\ \text{individual byte offset} &= 2 \text{ (DAC_MASK byte)} \\ \text{I/O base address} &= \text{E}000\text{h} \\ \\ \text{physical I/O address} &= \text{byte offset} + \text{individual byte offset} + \\ &\quad \text{I/O base address} \\ &= \text{C}0\text{h} + 2 + \text{E}000\text{h} = \text{E}0\text{C}2\text{h} \end{aligned}$$

2.3 Non-Intel Based Architecture

This section will focus on the features and services that are available on systems that cannot fully emulate Intel CPUs (such as the Apple Power Macintosh).

Note that the *mach64GX-C/D* cannot be used in non-Intel environments. Also, non-Intel platforms must conform to the PCI specification. Thus this section is restricted to PCI versions of the *mach64GX-E/F* and the *mach64CT* family.

2.3.1 Memory Map

The *mach64* requires a memory aperture so that an application can access the frame buffer and the memory mapped registers. Normally, this aperture is located somewhere within the 4GB address space where it does not conflict with system (host) memory. Further, this aperture must be located on a 16MB boundary. The little endian aperture is located at offset 0MB of this aperture space, while the big endian aperture is located at offset 8MB. The following diagram illustrates a typical memory organization for a *mach64* board with 4MB of display memory installed:

Typical Organization Of *mach64* Aperture Within Host Address Space (non-Intel)

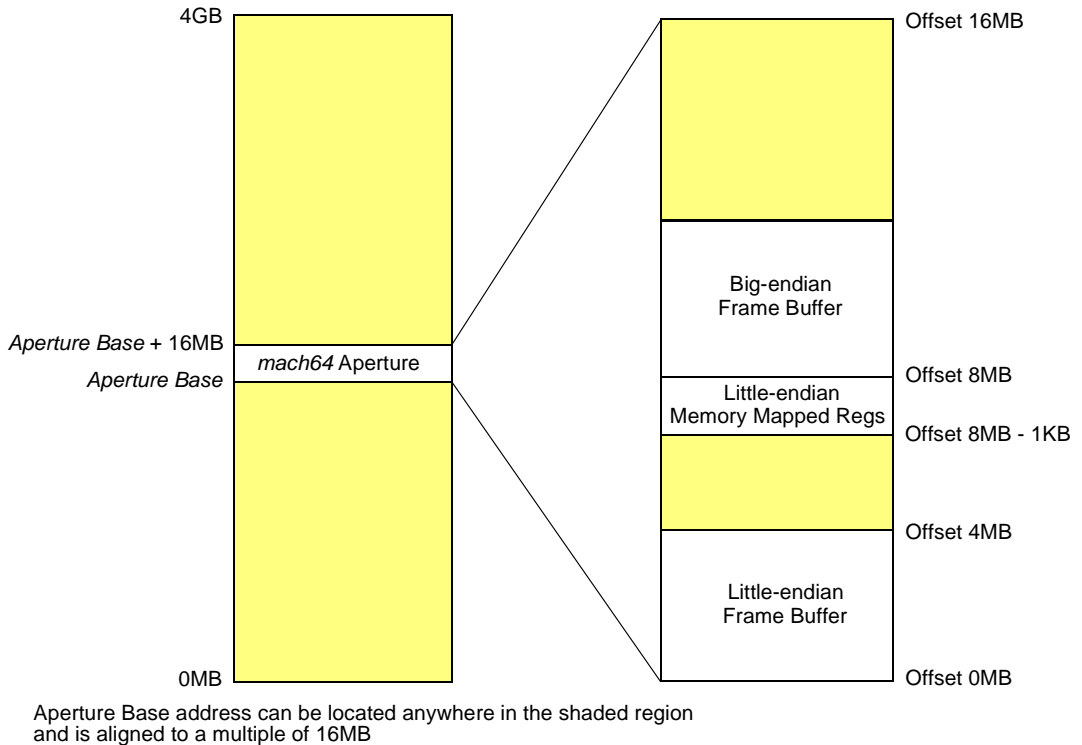


Figure 2-4. Aperture Within Host Address Space (non-Intel)

2.3.2 BIOS Services

BIOS Services are unavailable on non-Intel platforms. The BIOS is typically replaced with a ROM that conforms to the IEEE OpenBoot specification. Upon system powerup, the ROM will initialize the *mach64* board to a known state. The ROM image will disappear at the end of the boot process. All further access to the *mach64* must be done via the memory mapped registers. Setting modes, for example, must be done manually.

2.3.3 Registers

The VGA registers are normally not available, unless the non-Intel platform in question contains hardware support for an I/O address space that is distinct from Memory address space.

All registers are memory mapped and are 32 bits wide, except for DAC_REGS, which are 4x8 bit registers.

- If the small apertures are enabled, the memory mapped registers may be accessed

through a 1KB area at a linear address 0x000BFC00.

- If the big aperture is enabled, the memory mapped registers occupy the address space located at the base address of the aperture, plus an offset of 0x003FFC00 for a 4MB aperture, or 0x007FFC00 for an 8MB aperture configuration. A method of accessing extended memory is required to access the registers at this location.

On the *mach64GX* family, memory mapped registers may be read from and written to in 8-bit, 16-bit and 32-bit quantities.

On the *mach64CT* family, writes to the memory mapped registers must be performed in one 32-bit write. The memory mapped registers on the *mach64CT* family may be read in the same manner as on the *mach64GX* family.

Referring to the *mach64 Register Reference Guide*, the **DWORD Offset** or **Memory Map (MM) select** is given to describe the register's address. If access through the small apertures is desired, the physical address can be determined by the following equation:

$$\text{physical memory address} = (\text{MM select} \ll 2) + 0x000BFC00$$

For example, if the **MM select** = 0x21 (SCRATCH_REG1), the physical address would be 0x000BFC84.

If the big aperture is enabled, the equation becomes:

$$\text{physical memory address} = (\text{MM select} \ll 2) + \text{aperture base} + \text{memmap offset}$$

where **memmap offset** is either 0x003FFC00 or 0x007FFC00. Using the example above, if the aperture base address is 0xA0000000, the aperture size is 8MB (offset 0x007FFC00) and the **MM select** = 0x21 (SCRATCH_REG1), the physical memory address would be 0xA07FFC84.

For some registers, it is necessary to access individual bytes within the 32-bit register (such as DAC_REGS). The **MM select** must be converted to a byte offset before adding the individual byte offset (0, 1, 2, or 3). For example, to access the DAC_MASK byte of DAC_REGS through the small aperture the equation is:

$$\text{byte offset} = \text{MM select} \ll 2 = 0x30 \ll 2 = 0xC0 \text{ (DAC_REGS)}$$

$$\text{individual byte offset} = 2 \text{ (DAC_MASK byte)}$$

$$\begin{aligned} \text{physical memory address} &= \text{byte offset} + \text{individual byte offset} + \\ & \quad 0x000BFC00 \\ &= 0xC0 + 2 + 0x000BFC00 = 0x000BFCC2 \end{aligned}$$

For the big aperture, the equation is:

```
byte offset      = MMselect << 2 = 0x30 << 2 = 0xC0 (DAC_REGS)
individual byte offset = 2 (DAC_MASK byte)
aperture base    = 0xA0000000
memmap offset (8MB) = 0x007FFC00

physical memory address = byte offset + individual byte offset +
                          aperture base + memmap offset
                        = 0xC0 + 2 + 0xA0000000 + 0x007FFC00
                        = 0xA07FFCC2
```

I/O mapped registers may not be available on non-Intel platforms as this method of register access implicitly assumes Intel-style I/O port addressing capability. If I/O mapped registers are available, see section [2.2.3.3](#) for information on how to access these ports.

This page intentionally left blank.

3.1 Introduction

This chapter discusses the basics of using the *mach64* and covers detection of the *mach64* and setting up a display mode.

3.2 Before you start

Before programming the *mach64* there are several issues that should be discussed as they will determine how the *mach64* will be used on the desired platform. These issues are discussed below.

3.2.1 Accelerator vs. VGA

The *mach64* has two distinct operating modes:

- **VGA mode**
- **Accelerator mode**

For more information on standard VGA programming, please refer to any of the texts that are mentioned in the Bibliography such as *Programmer's Guide to the EGA, VGA, and Super VGA Cards*, by Richard F. Ferraro.

Note that the *mach64* also supports the VESA VBE 1.2 programming interface. This interface was created by the Video Electronic Standards Association (VESA) to provide a standardized method for using SuperVGA display modes on non-accelerated hardware. Effectively, VBE 1.2 folded in VGA support for common high resolution modes such as 1024x768 with 256 colors. Contact VESA for further information on VBE.

The accelerator provides the ability to draw into screen memory concurrently with the operation of the host CPU. In accelerator mode, there are two ways of accessing the graphics memory:

- **Memory aperture**
- **Draw engine**

The host application may read or write screen memory directly through a memory aperture (an **aperture** is an address space that maps directly to on-board memory).

Accesses through the aperture provide no acceleration, and the speed of these accesses is

generally bound by the speed of the host expansion bus.

The second way of accessing the memory is to use the draw engine to write to it. The draw engine can do two things:

- **Rectangle fills**
- **Lines**

These are known as **destination trajectories** (a **trajectory** defines a path through graphics memory which the draw engine reads or writes data). These trajectories may be filled with pixel data from various sources. If the source data comes from graphics memory, this is called a **bitblt** (or **blit**) and follows one of four different source trajectories.

A more detailed description of trajectories can be found in section 6.1.3: *Trajectories*.

3.2.2 Linear Aperture vs. VGA Aperture

Memory on the *mach64* may be directly accessed in one of three ways:

- **Standard paged 64KB VGA aperture**
- **Small dual paged apertures**
- **Big aperture**

Note that it is completely legitimate to have all three apertures simultaneously accessing framebuffer memory, but if the Big linear aperture is active there is typically no need to access memory through either the VGA or the small apertures.

3.2.2.1 Standard Paged 64KB VGA Aperture

If the VGA is enabled and the *mach64* is in VGA mode, memory may be accessed through the **standard paged 64KB VGA aperture**. The segment base address of this aperture is either A000h or B000h depending on the video mode.

The *mach64GX* family also use this aperture to access the lower 1MB of memory in planar (16 color) SVGA modes. The ATI VGA extended registers are used to select the 64KB read or write page mapped to the aperture space. As the ***mach64CT* family do not contain the VGA extended register set**, the small dual paged apertures described in the next section are used to access video memory. Any memory writes via the VGA aperture are inhibited when the memory boundary is enabled.

For more information on how to page the 64KB aperture, see the *mach64 Register Reference Guide*.

3.2.2.2 Small Dual Paged Apertures

If the *mach64* is in an accelerator mode or a SVGA packed pixel mode, **two small 32KB apertures** may be enabled at segment base addresses A000h and A800h. The read and write pages are set independently on 32KB boundaries for each of the two apertures with the MEM_VGA_WP_SEL and MEM_VGA_RP_SEL registers. This aperture mode is a type of VGA aperture configuration that is not available in standard VGA modes. If the memory boundary is enabled, writes to these apertures are inhibited.

- These small apertures can access the full 8MB.
- These small apertures may be enabled only if the VGA is enabled on the chip; otherwise, a memory address conflict would exist between the accelerator and the existing VGA.

Some special initialization is required to enable the small apertures and the memory mapped registers in the VGA address space:

- The VGA must be put into packed pixel mode.
- The VGA must have a 128KB aperture enabled if both the small apertures and the memory mapped registers are addressed.
- The bit CFG_MEM_VGA_AP_EN@CONFIG_CNTL must be set.

If access to the VGA memory mapped registers is not required, the setting of CFG_MEM_VGA_AP_EN@CONFIG_CNTL is not necessary.

Because the small aperture page size is 32KB, programs which assume the page size to be 64KB need to double the page number within their page setting routine. When selecting the write page, for instance, the doubled page number must be written to MEM_VGA_WPS0@MEM_VGA_WP_SEL to set the page number for the first 32KB aperture. This value plus one must then be written to MEM_VGA_WPS1@MEM_VGA_WP_SEL to set the page number for the second 32KB aperture. A similar process may be used to set the read page in the MEM_VGA_RP_SEL register. In this way, programs which assume a page size of 64KB can use the small apertures transparently.

The ATI VGA extended registers are used to change the display page in the *mach64GX* family. Because the *mach64CT* family does not include the VGA extended register set, they must use the small aperture to change the read or write page.

3.2.2.3 Big Aperture

If the *mach64* is in accelerator mode, a big linear aperture may be enabled to access the entire frame buffer. The size and location of the aperture depends on the *mach64* variant. For example, on the *mach64GX-C/D*, the aperture size may be set to 4MB or 8MB and require an 8MB boundary for the aperture location. The *mach64GX-E/F* and the

mach64CT family always require a 16MB boundary since enabling the big linear aperture also enables the 8MB big endian aperture (the big endian aperture starts at the standard linear aperture address plus 8MB). The *mach64GX-E/F* do allow 4MB or 8MB aperture sizing whereas the *mach64CT* family allows only an 8MB sized aperture. To produce code that works across all *mach64* variants, it is recommended that the aperture size be set to 8MB and located on a 16MB boundary.

The availability of this aperture is assured on all board configurations except ISA bus configurations. On an ISA system, the following two conditions must be met in order to use the big aperture:

- The aperture must fit within a 16MB address space.
- The aperture must not overlap host CPU memory.

An ISA system with greater than 12MB of host CPU memory cannot use a big aperture.

Given the restrictions imposed on using the linear aperture on ISA systems, it is recommended that the VGA dual paged aperture be used for ISA systems.

3.2.3 Protected Mode vs. Real Mode

Writing to and reading from the linear aperture can be done in several ways. Since the linear aperture is located in the “extended memory” space, a real mode application must use the extended memory services to access memory through the linear aperture. There are several services available:

- System BIOS INT 15h, function 87h.
- DOS Protected Mode Interface (DPMI).
- Virtual Control Program Interface (VCPI).

The last two points mentioned require protected mode memory managers that support these services. The first point mentioned will typically be available since it is supported by the system BIOS. This method is also the slowest and is not practical for performance applications. It should be noted that EMS (Expanded Memory Services) and XMS (eXtended Memory Services) are not practical for accessing graphics frame buffers.

If the application is in protected mode, the linear aperture can be accessed easily with virtually no overhead.

Before attempting to access the big aperture, the host application must enable it with BIOS services function 5 or by writing to the CONFIG_CNTL register. (*See Appendix A, BIOS Services for more details.*)

3.3 mach64 Detection

There are several steps that are required in order to properly detect the *mach64*. Some of these steps may need to be performed differently on a non-Intel platform or if the BIOS is unavailable. The key steps to detection are:

1. Detect *mach64* signatures.
2. Determining I/O base address.
3. Read/Write tests.
4. Determining specific *mach64* variant.

3.3.1 Card Detection

Find an ATI *mach64* ROM and its ROM segment by scanning through ROM segments C000h – FE00h, in 2KB steps. To match, the ROM ID, ATI product signature, and *mach64* product string must be found:

```
ROM ID = AA55h (PC compatibles)
ATI product signature = "761295520"
mach64 string2 = "MACH64"
mach64 string1 = "GXCX" (older ROMs)
```

The ROM ID bytes will occur as the first two bytes in the segment. The ATI product signature will occur somewhere within the first 256 bytes of the segment and will identify the ROM as belonging to an ATI display adapter. One of the *mach64* strings will occur somewhere within the first 1024 bytes of the segment and will identify the ROM as belonging to a *mach64*-based product.

Only one the *mach64* strings will be present in a *mach64* ROM. Therefore, the ROM should be searched for string1 first. If it is not present, string2 should be searched for. If it is also not present, a *mach64* ROM is not present.

For non-Intel platforms, access to the PCI configuration space is required. Scan for a PCI card with a VendorID of 0x1002. This number is ATI's VendorID as registered with the PCI Special Interest Group, and all PCI-based products manufactured by ATI will have this VendorID. Once found, scan for the following DeviceID codes to identify a *mach64*:

Table 3-1 PCI DeviceID Codes

| <i>mach64</i> PCI DeviceID Codes | |
|---|-----------------|
| Variant | DeviceID |
| <i>mach64GX</i> | 0x4758 |
| <i>mach64CX</i> | 0x4358 |
| <i>mach64CT</i> | 0x4354 |
| <i>mach64VT</i> | 0x5654 |
| <i>mach64VTB</i> | 0x5655 |
| <i>mach64VT4</i> | 0x5656 |

| 3D RAGE PCI DeviceID Codes | |
|------------------------------------|-----------------|
| Variant | DeviceID |
| 3D RAGE (GT) | 0x4754 |
| 3D RAGE II+ (GTB) | 0x4755 |
| 3D RAGE IIC (PQFP, AGP) | 0x475A |
| 3D RAGE IIC (BGA, AGP) | 0x4757 |
| 3D RAGE IIC (PQFP, PCI) | 0x4756 |
| 3D RAGE PRO (BGA, AGP) | 0x4742 |
| 3D RAGE PRO (BGA, AGP, 1X ONLY) | 0x4744 |
| 3D RAGE PRO (BGA, PCI) | 0x4749 |
| 3D RAGE PRO (PQFP, PCI) | 0x4750 |
| 3D RAGE PRO (PQFP, limited 3D) | 0x4751 |
| 3D RAGE LT PRO (BGA, PCI) | 0x4C49 |
| 3D RAGE LT PRO (BGA, AGP) | 0x4C42 |
| 3D RAGE LT PRO | 0x4C50 |
| 3D RAGE LT | 0x4C47 |
| RAGE XL (BGA, AGP) | 0x474D |
| RAGE MOBILITY (M1, M, P, AGP, PCI) | 0x4C4D |

On all systems that support multiple *mach64* cards installed the above procedure should be repeated until all *mach64* images have been located.

3.3.2 I/O Base

Call the ROM (BIOS service 12h) to find the I/O base address and type (standard/relocatable). The CX register should be preloaded with zero before calling this BIOS function. This insures that CX is zero on return for older ROMs.

Standard (also known as Fixed or Sparse) I/O is the only I/O type available on ISA and VLB *mach64* boards. The lower 10 bits of the I/O port address are fixed and set to 0x2EC and the upper 6 bits are used to index the various *mach64* registers. Relocatable (also known as Block) I/O is available on PCI *mach64* boards with the exception of the *mach64GX-C/D*. The I/O base can be anywhere within the 64KB I/O address space and will occupy 256 consecutive registers.

For non-Intel platforms, the Base Addresses section of the PCI configuration space will indicate what the I/O base address is.

3.3.3 Read/Write Test

Perform a write/read test on SCRATCH_REG1 (its contents must be saved and restored since they are used by the BIOS services). This is done by writing the 32-bit value 55555555h to SCRATCH_REG1 and then reading it back. If the value is different, a *mach64* is not present. If the value is the same, repeat this test with AAAAAAAAAh. Ensure that the register's contents are restored.

3.3.4 CONFIG_CHIP_ID

Read the CONFIG_CHIP_ID register for additional information such as the chip type, class, and revision.

Additional configuration information can be obtained with a BIOS query call (functions 6, 7, 8, 9, and Ah). (See *Appendix A, BIOS Services* for more information.).

3.4 Mode Switching

It is highly recommended that all mode switching be done by a BIOS service function call rather than by manually setting the CRT controller (CRTC). The main reasons for doing this are:

- Simplicity.
- The characteristics of the non-volatile storage device that stores mode and monitor information may not be known. Without monitor information, the only mode guaranteed to work on all analog monitors is 640x480 at 60 Hz non-interlaced.
- CRTC compatibility with future devices is not guaranteed.

On *mach64GX* family, there are separate CRTCs for the VGA and accelerator. The CRTC parameters may be set independently. On *mach64CT* family, both the VGA and accelerator share the same CRTC and therefore they cannot be set independently. For all *mach64* chips, the BIOS can be used to switch between VGA and accelerator modes.

The following table lists the VESA VBE modes that may be available on the *mach64*. These modes are set with the standard VESA VBE set mode call (INT 10h, AX=4F02h, BX=*mode*). Consult the VBE specification for further details.

Table 3-2 VESA Compatible Mode Support

| VESA VBE 1.2 Compatible Mode Support for <i>mach64</i> | | | |
|---|-------------------|--------------------|--------------------|
| Mode number | Resolution | Pixel Depth | Memory Used |
| 10Dh | 320x200 | 15 | 125KB |
| 10Eh | 320x200 | 16 | 125KB |
| 10Fh | 320x200 | 24 | 188KB |
| 100h | 640x400 | 8 | 250KB |
| 101h | 640x480 | 8 | 300KB |
| 103h | 800x600 | 8 | 469KB |
| 105h | 1024x768 | 8 | 768KB |
| 107h | 1280x1024 | 8 | 1280KB |
| 110h | 640x480 | 15 | 600KB |
| 111h | 640x480 | 16 | 600KB |
| 112h | 640x480 | 24 | 900KB |
| 113h | 800x600 | 15 | 938KB |
| 114h | 800x600 | 16 | 938KB |
| 115h | 800x600 | 24 | 1407KB |
| 116h | 1024x768 | 15 | 1536KB |
| 117h | 1024x768 | 16 | 1536KB |
| 118h | 1024x768 | 24 | 2304KB |
| 119h | 1280x1024 | 15 | 2560KB |
| 11Ah | 1280x1024 | 16 | 2560KB |
| 11Bh | 1280x1024 | 24 | 3840KB |

The following table lists the modes that are available on the *mach64* when in accelerator mode. These modes are set through the *mach64* BIOS. See *Appendix A: BIOS Services* for details.

Table 3-3 Accelerator Modes

| <i>mach64</i> Accelerator Modes | | |
|---------------------------------|-------------|-------------|
| Resolution | Pixel Depth | Memory Used |
| 640x480 | 8 | 300KB |
| 640x480 | 15/16 | 600KB |
| 640x480 | 24 | 900KB |
| 640x480 | 32 | 1200KB |
| 800x600 | 8 | 469KB |
| 800x600 | 15/16 | 938KB |
| 800x600 | 24 | 1407KB |
| 800x600 | 32 | 1875KB |
| 1024x768 | 8 | 768KB |
| 1024x768 | 15/16 | 1536KB |
| 1024x768 | 24 | 2304KB |
| 1024x768 | 32 | 3072KB |
| 1280x1024 | 8 | 1280KB |
| 1280x1024 | 15/16 | 2560KB |
| 1280x1024 | 24 | 3840KB |
| 1280x1024 | 32 | 5120KB |
| 1600x1200 | 8 | 1875KB |
| 1600x1200 | 15/16 | 3750KB |
| 1600x1200 | 24 | 5625KB |
| 1600x1200 | 32 | 7500KB |

Note that the availability of each mode depends upon the amount of memory and the type of DAC that is on board, and that not all modes may be available on all *mach64* boards.

3.4.1 BIOS Interface

VGA modes are initialized with the standard INT 10h interface as described in the *mach64 VGA Register Guide*.

For accelerator BIOS services, either INT 10h (AH=A0h) or a far call to the ROM can be used. Since the ROM segment is determined during card detection, it will be available for

ROM calls. If the I/O base address is known, it can also be retrieved from SCRATCH_REG1 using the following calculation:

$$\text{segment} = (\text{SCRATCH_REG1} \ \& \ 0\text{x7F}) \ * \ 0\text{x80} \ + \ 0\text{x}\text{C000}$$

The offset used for the call is always 64h. See *Appendix A, BIOS Services* for a complete definition of all accelerator BIOS services. In particular, BIOS Service 02h (Load and Set Mode) is the main function that is called when setting a mode. The following example shows how to set an accelerator mode using both methods:

FAR CALL Method

```
; Data for FAR CALL
romAddr      dw      64h
              dw      0c000h

; Set a 1024x768 8 bpp accelerator mode using the FAR CALL method.
mov          ax, 2          ; BIOS service 2 (load and set
                           mode)
mov          ch, 55h        ; resolution = 1024x768
mov          cl, 82h        ; pitch = X resolution, 8 bpp
mov          romAddr, 64h   ; offset of ROM call address
mov          romAddr+2, romseg ; segment of ROM call address
call        DWORD PTR romAddr ; call BIOS service
```

INT 10h Method

```
; Set a 1024x768 8 bpp accelerator mode using the INT 10h method.
mov          ax, 0a002h     ; BIOS service 2 (load and set
                           mode)
                           ; -- note value of AH
mov          ch, 55h        ; resolution = 1024x768
mov          cl, 82h        ; pitch = X resolution, 8 bpp
int          10h           ; call BIOS service
```

3.4.2 Manual Mode Switching and Custom CRT Modes

Mode switching by manual means is not recommended. If for some reason this cannot be avoided, refer to [Chapter 7, Advanced Topics](#).

Chapter 4

Linear Aperture

4.1 Introduction

This chapter discusses the use of the linear apertures on the *mach64*. The apertures provide a means to access all of framebuffer memory without resorting to bank switching.

The first and most obvious advantage of having a *mach64* Display Adapter is the ability to access the entire video memory as a linear frame buffer, regardless of the spatial resolution and pixel depth. The Linear Frame Buffer is accessed via the Linear Aperture or Big Aperture. Similar to the standard IBM VGA mode 13h, the Linear Frame Buffer allows the programmer access to all points on the display without the impediment of having to bank switch the standard 64KB VGA aperture. The *mach64* allows for either a 4MB or an 8MB aperture, which is ample for all supported modes.

The following sections will outline all of the required steps to implement usage of the Linear Frame Buffer.

4.2 Aperture Base Address

To use the linear aperture, the Base Linear Address and the size of the aperture must be determined. The BIOS Query Services 06h and 09h provide a method for obtaining aperture location and size. The Short Query Function call (06h) returns the aperture base address, in megabytes, in the BX register, and the size of the aperture in the lower nybble of AL. The Query Device call (09h) returns the entire Query Structure. The aperture base address is located at offset 10h and the size is located at offset 12h of the Query Structure.

For non-Intel environments, the aperture base address can be found through the PCI configuration space. Since the *mach64GX-E/F* and all members of the *mach64CT* family do not support 4MB apertures, it can be safely assumed that the aperture size is 8MB for these chips.

See next page for the example code.

Example code for Querying the BIOS for the Base Address and Limit

```
int  apertureBaseMB, apertureSizeMB;

regs.h.ah = 0xA0;           // mach64 BIOS call
regs.h.al = 0x06;           // mach64 Service 06h: Short
                               // Query
int386 (0x10, &regs, &regs); // Call the Video BIOS

apertureBaseMB = regs.w.bx;           // Save base address
apertureSizeMB = (regs.h.al & 0x1F) * 4; // Save aperture size
```

4.3 Convert Physical Address

After the base address has been obtained, it may be necessary to convert this address into a format that the operating system can use. For example, under a DPMI DOS Extender environment, the above physical address information must be converted into a linear address (or logical address). DPMI service 0800h (Physical Address Mapping) will perform this mapping. Continuing the above example we will have the following:

Example code for converting the address from physical to linear

```
regs.w.ax = 0x0800;           // DPMI Service 0800h:
                               // Physical Addr Map
regs.w.bx = apertureBaseMB << 4; // Convert base address in
                               // megabytes
regs.w.cx = 0x0000;           // into 32-bit address in
                               // BX:CX
regs.w.si = apertureSizeMB << 4; // Convert size in megabytes
regs.w.di = 0x0000;           // into 32-bit value in SI:DI
int386 (0x31, &regs, &regs); // Call DPMI
```

Other operating environments may have to manually create a protected mode selector with a selector base equal to the aperture base address and the selector limit equal to the aperture size.

4.4 Enable the Aperture

Once the aperture's location and size have been determined, the aperture should be enabled in order to use it. BIOS service 05h (Memory Aperture Service) provides a method for doing so.

Example code for enabling the aperture

```
regs.h.ah = 0xA0;           // mach64 BIOS call
regs.h.al = 0x05;          // mach64 Service 05h:
                             //   Aperture Service
regs.h.cl = 0x01;          // CL[0] = 1: Enable Linear
                             //   Aperture
int386 (0x10, &regs, &regs); // Call the Video BIOS
```

4.5 Using the Linear Aperture

The organization of the linear aperture is similar to VGA mode 13h except that higher resolutions and greater pixel depths are possible. Bank switching is not necessary.

4.5.1 Memory Organization Of Pixels

The draw engine directly supports pixel depths of 1, 4, 8, 15, 16, and 32 bits per pixel. The only draw function supported in packed 24 bpp mode is rectangle fill. This mode is actually an 8 bpp mode with special rotations done to the DP_FRGD_CLR, DP_BKGD_CLR, DP_WRT_MASK, and 8x8x1 monochrome pattern registers.

The CRTC supports display pixel depths of 4 and 8 bpp pseudocolor, and 15, 16, 24, and 32 bpp direct color modes.

Note that the draw engine and CRTC must be configured with the same value of BYTE_PIX_ORDER if 4 bpp mode is selected (see DP_PIX_WIDTH and CRTC_GEN_CNTL in the *mach64 Register Reference Guide*).

Bit definitions of all pixel configurations are shown below in DWORD and BYTE representations (this is the “little endian” representation). The ordinal values represent the pixel ordering in memory for a left to right pixel trajectory beginning on a DWORD boundary, i.e. the ordinal value ‘1’ represents the position in memory of the leftmost pixel in the DWORD.

1 BPP, BYTE_PIX_ORDER = 0, Draw Engine Only

| | | | | |
|-------|-------------------------|-------------------------|-------------------------|-------------------------|
| DWORD | 19 1A 1B 1C 1D 1E 1F 20 | 11 12 13 14 15 16 17 18 | 9 A B C D E F 10 | 1 2 3 4 5 6 7 8 |
| BYTE | 1 2 3 4 5 6 7 8 | 9 A B C D E F 10 | 11 12 13 14 15 16 17 18 | 19 1A 1B 1C 1D 1E 1F 20 |

1 BPP, BYTE_PIX_ORDER = 1, Draw Engine Only

| | | | | |
|-------|-------------------------|-------------------------|-------------------------|-------------------------|
| DWORD | 20 1F 1E 1D 1C 1B 1A 19 | 18 17 16 15 14 13 12 11 | 10 F E D C B A 9 | 8 7 6 5 4 3 2 1 |
| BYTE | 8 7 6 5 4 3 2 1 | 10 F E D C B A 9 | 18 17 16 15 14 13 12 11 | 20 1F 1E 1D 1C 1B 1A 19 |

4 BPP Pseudocolor, BYTE_PIX_ORDER = 0

| | | | | | | | | |
|-------|---|---|---|---|---|---|---|---|
| DWORD | 7 | 8 | 5 | 6 | 3 | 4 | 1 | 2 |
| BYTE | 1 | 2 | 3 | 4 | 5 | 6 | 7 | 8 |

4 BPP Pseudocolor, BYTE_PIX_ORDER = 1

| | | | | | | | | |
|-------|---|---|---|---|---|---|---|---|
| DWORD | 8 | 7 | 6 | 5 | 4 | 3 | 2 | 1 |
| BYTE | 2 | 1 | 4 | 3 | 6 | 5 | 8 | 7 |

8 BPP Pseudocolor

| | | | | |
|-------|---|---|---|---|
| DWORD | 4 | 3 | 2 | 1 |
| BYTE | 1 | 2 | 3 | 4 |

15 BPP (aRGB 1555)

| | | | | |
|-------|---------------------------|-------------------|---------------------------|-------------------|
| DWORD | Pixel 2, aRRRRRGGGGGBBBBB | | Pixel 1, aRRRRRGGGGGBBBBB | |
| BYTE | P1 low, GGGBBBBB | P1 high, aRRRRRGG | P2 low, GGGBBBBB | P2 high, aRRRRRGG |

16 BPP (RGB 565)

| | | | | |
|-------|--------------------------|-------------------|--------------------------|-------------------|
| DWORD | Pixel 2, RRRRRGGGGGBBBBB | | Pixel 1, RRRRRGGGGGBBBBB | |
| BYTE | P1 low, GGGBBBBB | P1 high, RRRRRGGG | P2 low, GGGBBBBB | P2 high, RRRRRGGG |

24 BPP, Display only

| | | | | |
|-------|----|----|----|----|
| DWORD | B2 | R1 | G1 | B1 |
| | G3 | B3 | R2 | G2 |
| | R4 | G4 | B4 | R3 |
| BYTE | B1 | G1 | R1 | B2 |
| | G2 | R2 | B3 | G3 |
| | R3 | B4 | G4 | R4 |

| 32 BPP (RGBa 8888) | | | | |
|--------------------|---|---|---|---|
| DWORD | R | G | B | a |
| BYTE | a | B | G | R |

Note that 4 bpp is generally not supported any more. It was useful in planar pixel mode and it allowed for 1280x1024 with only 1MB of RAM.

4.6 Complete Example of Using the Aperture

The following example is a full demonstration of aperture access.

Example On Using The Aperture

```

int apertureBaseMB, apertureSizeMB;
char *apertureLinearAddress;

// Assume that an accelerator mode (e.g. 640x480x8bpp) has
// been set up

// Call the BIOS to find the aperture
regs.h.ah = 0xA0;           // mach64 BIOS call
regs.h.al = 0x06;           // mach64 Service 06h: Short
                             // Query
int386 (0x10, &regs, &regs); // Call the Video BIOS

apertureBaseMB = regs.w.bx; // Save base address
apertureSizeMB = (regs.h.al & 0x1F) * 4; // Save aperture size

// Convert address returned by BIOS to linear address
regs.w.ax = 0x0800;         // DPMSI Service 0800h:
                             // Physical Addr Map
regs.w.bx = apertureBaseMB << 4; // Convert base address in
                             // megabytes
regs.w.cx = 0x0000;         // into 32-bit address in
                             // BX: CX
regs.w.si = apertureSizeMB << 4; // Convert size in megabytes
regs.w.di = 0x0000;         // into 32-bit value in SI: DI
int386 (0x31, &regs, &regs); // Call DPMSI

```

```
// Linear Address is returned in BX:CX
apertureLinearAddress = (char *) ((regs.w.bx << 16L) +
                                   regs.w.cx);

// Enable the aperture
regs.h.ah = 0xA0;           // mach64 BIOS call
regs.h.al = 0x05;           // mach64 Service 05h:
                             // Aperture Service
regs.h.cl = 0x01;           // CL[0] = 1: Enable Linear
                             // Aperture
int386 (0x10, &regs, &regs); // Call the Video BIOS

// We can now directly access the aperture through
// apertureLinearAddress;
apertureLinearAddress[0] = 0xFF; // Change pixel in upper left
                                // corner
```

4.7 VGA Interaction

Remember that physical memory is shared between the on-chip VGA and the accelerator. On the *mach64GX* family a logical boundary may be enabled with the MEM_CNTL register to inhibit the two logical devices from accessing the other's memory.

- **When the memory boundary is disabled**, each device (draw engine, VGA aperture or small apertures) has full access to on-board memory.
- **When the memory boundary is enabled**, any memory accesses through the VGA aperture or small apertures are inhibited. All draw engine functions that access the memory below the boundary are inhibited. The boundary may be set to zero. Remember to set all draw engine offsets above the memory boundary.
- Memory accesses through the big linear aperture are not affected by the memory boundary register.
- If the application destroys VGA memory, the application must re-initialize the VGA mode before exiting.

The memory boundary feature is not supported on the *mach64CT*.

Chapter 5

Engine Initialization

5.1 Introduction

This section covers the steps necessary to setup and use the *mach64* accelerator engine.

5.2 Background Information on the mach64 Engine

The *mach64* engine provides more efficiency in processing common drawing functions by letting the (much faster) hardware do the work. However, it is impossible to hardwire every facet of computer graphics into the accelerator, so some drawing functions may still need to be done by software.

5.2.1 Command FIFO Queue

All writes to draw engine registers are automatically routed through a 32-bit-wide, 16-entry-deep command FIFO. All entries are consumed in the same order as they are written.

- Note that host data registers do not generate extra wait states as on the *mach32*, and complete FIFO discipline is therefore required for these registers.
- Register reads are not FIFOed in any fashion.
- Register writes to registers with DWORD offsets less than 40h are not FIFOed.

5.2.1.1 Waiting For Sufficient FIFO Entries

Prior to any writes to any draw engine register, it is essential to check the state of the command FIFO to ensure that enough FIFO entries are available. Failure to do so may cause the draw engine to lock. C source code that waits for *n* free entries is shown below:

Example Code for Waiting for Sufficient Empty Entries in the Command FIFO

```
VOID WaitForFifo(short entries)
{
    while ((regr(FIFO_STAT) & 0xffff) >
           ((UNSIGNED INT)(0x8000 >> entries)));
}
```

5.2.1.2 Resetting The FIFO

If the FIFO has locked because of improper FIFO discipline, the FIFO and the draw engine must be reset before continuing.

Example Code for Resetting the Command FIFO

```
VOID ResetEngine(VOID)
{
    // reset engine
    iow32(GEN_TEST_CNTL, (ior32 (GEN_TEST_CNTL) & 0xFFFFFFFF));
    // enable engine
    iow32(GEN_TEST_CNTL, (ior32 (GEN_TEST_CNTL) | 0x00000100));
    // ensure engine is not locked up by clearing any FIFO or
    // HOST errors
    iow32(BUS_CNTL, (ior32 (BUS_CNTL) | 0x00A00000));
}
```

5.2.1.3 Waiting For Draw Engine Idle

There are two cases where the application must wait for the draw engine to become idle:

- The first case occurs when the application is depending on the draw engine to update a register or bit field (such as DST_X, or the scissor status bits in the GUI_STAT register). The application must ensure idleness so that those registers will not be read back while in an intermediate state.
- The second one occurs when the same memory region is being accessed by the draw engine and reads/writes through an aperture at the same time. If an engine write and an aperture write are occurring in the same region, the pixel that lands on top will not be deterministic. If an engine write and an aperture read are occurring in the same region, the pixel that is read back may or may not be the pixel just drawn.

Example Code for Waiting for the Draw Engine to be Idle

```
VOID WaitForIdle(VOID)
{
    WaitForFifo(16);
    while ((regr(GUI_STAT) & 1) != 0);
}
```

A state of idleness implies 16 free FIFO entries, but 16 free FIFO entries **do not** imply a state of idleness

5.2.2 Other Essentials

Before beginning, a firm grasp of the *mach64* accelerator registers is essential. Specifically, accessing them through I/O ports or direct memory access, where applicable. A very important register is the CONFIG_CNTL register as it indicates the current state of the apertures. BIOS Services 06h and 09h (the query functions) also report the aperture state and may be used instead.

5.3 Preliminary Essentials

Any programming of the engine must perform certain tasks for initialization. This section outlines these tasks. Once the following tasks are complete, the *mach64* is set up to make full use of the engine.

5.3.1 *mach64* Detection

Before attempting to initialize the engine, ensure that a *mach64* card is present and functioning properly. See [Section 3.3: *mach64* Detection](#) for the detailed steps.

5.3.2 Hardware Query

It is very helpful to perform a BIOS Service 09h (Query Device), and store the information for future reference. This data contains essential information for tasks such as setting the aperture, and determining how to access the registers.

5.3.3 Save/Restore Old Video Mode Information

Normally, it should be possible to return the system to its original state after using the engine. Thus, old video mode information should be saved so that this information is not lost.

5.3.4 Open Mode

For the engine, there are a few extra steps that are needed in opening a new video mode over simply performing a BIOS call 02h. Section [5.4](#) outlines all the essentials for opening and closing an engine mode.

5.3.5 Initializing The Engine

Finally, the engine must actually be initialized to a known state. The FIFO queue must be

cleared and many of the registers must be reset. Section 5.4 details all the necessary requirements.

5.4 Opening and Closing a Mode

5.4.1 Opening

Opening an accelerator mode involves the following steps:

1. Determine if the *mach64* board will support the requested mode.
2. Initialize the Linear Aperture and/or the Small Apertures. Check the Query Structure to determine which apertures are available.
3. Load and Set the Mode with BIOS Service 02h.
4. Reset the *mach64* Engine. See Section 5.2.1.2 *Resetting the FIFO*.
5. Initialize the palette.

For the *mach64GX* family, palette initialization is only necessary for 4 bpp and 8 bpp. Since the *mach64CT* family contains an internal DAC, special handling is required as indicated below.

5.4.1.4 Programming The Internal DAC On The *mach64CT* Family

The internal DAC on the *mach64CT* family is upward compatible with a stock VGA DAC. For 4 and 8 bits per pixel (bpp) modes, the data is masked with `DAC_MASK` and then used to index a 256 entry look-up table (LUT) or palette. The LUT is 18 bits wide (RGB 6:6:6). The color in the palette corresponding to the index is then displayed. `DAC_8BIT_EN@DAC_CNTL` should be set to zero (6 bits operation) for these modes. The lower two bits are ignored, so when data is written to the palette, the value should be shifted up by 2 bits (for example, `0x3F` becomes `0xFC`).

For 15, 16, 24 and 32 bpp modes, the data is represented directly. For example, a value of `0x001F` in video memory for a 16 bpp mode will be displayed as LIGHT BLUE. In order for the correct colors to display for these modes, the palette addresses must be initialized. Also, the `DAC_8BIT_EN@DAC_CNTL` should be set to one (8 bits operation). An initialization example follows:

Example for Initializing the Internal DAC on the *mach64CT* Family

```
#define DAC_W_INDEX 0
```

```
#define    DAC_DATA      1
#define    DAC_MASK 2
#define    DAC_R_INDEX 3

void InitHiColorPaletteForCT(void)
{
    int index;
    // Set to 8 bit DAC operation (bit 8 in DAC_CNTL).
    iow8 (ioDAC_CNTL + 1, ior8 (ioDAC_CNTL + 1) | 0x01);

    // Set the DAC MASK to FFh.
    iow8 (ioDAC_REGS + DAC_MASK, 0xFF);

    // Fill the palette starting at 0 to insure direct color
    // mapping is employed.
    iow8 (ioDAC_REGS + DAC_W_INDEX, 0);
    for (index = 0; index < 256; index++)
    {
        iow8 (ioDAC_REGS + DAC_DATA,    index);
        iow8 (ioDAC_REGS + DAC_DATA,    index);
        iow8 (ioDAC_REGS + DAC_DATA,    index);
    }
}
```

If the mode is invoked by the BIOS, the palette initialization will be done there.

The internal 8-bit DAC registers may be programmed through the VGA DAC I/O addresses (3C6 through 3C9), the accelerator I/O space (I/O register select 17, byte offsets 0 through 3), or the accelerator memory mapped space (DWORD memory offset 30, byte offsets 0 through 3). Each of these address mappings correspond to the same DAC registers.

Table 5-1 DAC Register Mappings

| DAC Register Mappings | | | |
|-----------------------|-----------------|-----------------------------------|---------------------------------------|
| DAC Register | VGA I/O Address | Accelerator I/O Select | Accelerator Memory Mapped Byte Offset |
| DAC_MASK | 3C6 | 17, offset 2 (5EEE, 5DCA or 5DDE) | C2 |
| DAC_R_INDEX | 3C7 | 17, offset 3 (5EEF, 5DCB or 5DDF) | C3 |
| DAC_W_INDEX | 3C8 | 17, offset 0 (5EEC, 5DC8 or 5DDC) | C0 |
| DAC_DATA | 3C9 | 17, offset 1 (5EED, 5DC9 or 5DDD) | C1 |

5.4.2 Reading from the Palette

1. Write the desired palette entry whose color will be read to the DAC_R_INDEX register.
2. Read from the DAC_DATA register three times in succession. The first read is the red component of the color data; the next is green; and the last is blue.
3. The DAC_R_INDEX register will auto-increment after the last read from DAC_DATA so that the host may read from the next palette entry without re-writing the DAC_R_INDEX register. Repeat step 2 to read successive palette entries.

5.4.3 Writing to the Palette

1. Write the palette entry that the host desires to be programmed to the DAC_W_INDEX register.
2. Write the red component data to the DAC_DATA register, followed in succession by the green and blue components to the same register. Remember that in 6 bit mode, the high two bits of the pixel component data are ignored.
3. The DAC_W_INDEX register will auto-increment after the last write to DAC_DATA so that the host may program the next palette entry without re-writing the DAC_W_INDEX register. Repeat step 2 to write successive palette entries.

5.5 Initializing the Engine

The following sections summarize the key items involved in initializing the *mach64* engine to a known state.

- Reset and enable the *mach64* engine.
- Set the VGA page pointers, if needed.
- Setup a standard engine context.

The engine must be reset, enabled, and the FIFO must be cleared. Resetting and enabling the engine is normally done by first clearing, then setting `GEN_GUI_EN@GEN_TEST_CNTL`. Clearing a locked FIFO involves setting `BUS_FIFO_ERR_ACK@BUS_CNTL` and `BUS_HOST_ERR_ACK@BUS_CNTL`. The function **ResetEngine ()**, as defined in *Section 5.2.1.2*, gives an example of the above steps.

The dual 32KB small aperture page pointers `MEM_VGA_RP_SEL` and `MEM_VGA_WP_SEL`, are set to the start of display memory. Normally, the lower page pointers are set to page 0 and the upper page pointers are set to page 1 to provide compatibility with a standard 64KB VGA aperture.

Setting up a standard engine context is discussed in detail below.

5.5.1 Setup Standard Engine Context

The following table indicates a suggested set of initialized values for the *mach64* engine.

Table 5-2 Recommended Initialization Values

| Recommended Initialization Values For <i>mach64</i> Engine | | |
|--|---------------|---|
| Register Group | Register Name | Initialized Value |
| Context Control | CONTEXT_MASK | 0xFFFFFFFF |
| Destination Draw | DST_OFF_PITCH | pitch: (mode pitch)/8, offset: 0 |
| | DST_Y_X | 0 |
| | DST_HEIGHT | 0 |
| | DST_BRES_ERR | 0 |
| | DST_BRES_INC | 0 |
| | DST_BRES_DEC | 0 |
| | DST_CNTL | x: left to right, y: top to bottom, last pel: enable |

Table 5-2 Recommended Initialization Values (Continued)

| Recommended Initialization Values For <i>mach64</i> Engine | | |
|--|--------------------|---|
| Register Group | Register Name | Initialized Value |
| Source Draw | SRC_OFF_PITCH | pitch: (mode pitch)/8, offset: 0 |
| | SRC_Y_X | 0 |
| | SRC_HEIGHT1_WIDTH1 | height: 1, width: 1 |
| | SRC_Y_X_START | 0 |
| | SRC_HEIGHT2_WIDTH2 | height: 1, width: 1 |
| | SRC_CNTL | direction: left to right, trajectory: unbounded Y |
| Host Data | HOST_CNTL | 0 |
| Pattern | PAT_REG0 | 0 |
| | PAT_REG1 | 0 |
| | PAT_CNTL | 0 |
| Scissor | SC_LEFT | 0 |
| | SC_TOP | 0 |
| | SC_BOTTOM | (mode y resolution) - 1 |
| | SC_RIGHT | (mode pitch) - 1 |
| Data Path | DP_BKGD_CLR | 0 (normally Black) |
| | DP_FRGD_CLR | 0xFFFFFFFF (normally White) |
| | DP_WRITE_MASK | 0xFFFFFFFF |
| | DP_MIX | foreground: SRC, background: DST |
| | DP_SRC | foreground: foreground, background: background, mono: always '1' |
| Color Compare | CLR_CMP_CLR | 0 |
| | CLR_CMP_MASK | 0xFFFFFFFF |
| | CLR_CMP_CNTL | compare: false, key: destination |

In addition to the above, the registers DP_PIX_WIDTH and DP_CHAIN_MASK need to be set differently depending on the pixel depth of the display.

Table 5-3 Pixel Depth-Dependent Register Initialization

| Pixel Depth-Dependent Register Initialization | | |
|---|---|---------------|
| Pixel Depth | DP_PIX_WIDTH | DP_CHAIN_MASK |
| 4 | host, source, destination: all 4 bpp, pixel order: MSB to LSB | 0x8888 |
| 8 | host: 8 bpp, source: 8 bpp, destination: 8 bpp | 0x8080 |
| 15 | host: 15 bpp, source: 15 bpp, destination: 15 bpp | 0x4210 |
| 16 | host: 16 bpp, source: 16 bpp, destination: 16 bpp | 0x8410 |
| 24 | host: 8 bpp, source: 8 bpp, destination: 8 bpp | 0x8080 |
| 32 | host: 32 bpp, source: 32 bpp, destination: 32 bpp | 0x8080 |

Finally, when the above registers have been set, generate a `wait_for_idle ()` call to complete initialization.

5.5.2 InitEngine Example

The following example is the implementation of the engine initialization function `init_engine ()` in the *mach64* sample code.

Example Code for Initializing The Engine

```
void init_engine (void)
{
    unsigned long pitch_value, xres, yres;

    // determine modal information from global mode structure
    xres = (unsigned long) (MODE_INFO.xres);
    yres = (unsigned long) (MODE_INFO.yres);
    pitch_value = (unsigned long) (MODE_INFO.pitch);

    if (MODE_INFO.bpp == 24)
    {
        // In 24 bpp, the engine is in 8 bpp - this requires that all
        // horizontal coordinates and widths must be adjusted
        pitch_value = pitch_value * 3;
    }
    // Reset engine, enable, and clear any engine errors
    reset_engine();
    // Ensure that vga page pointers are set to zero - the upper
    // page pointers are set to 1 to handle overflows in the
```

```
// lower page
iow32 (MEM_VGA_WP_SEL, 0x00010000);
iow32 (MEM_VGA_RP_SEL, 0x00010000);

// ---- Setup standard engine context ----

// All GUI registers here are FIFOed - therefore, wait for
// the appropriate number of empty FIFO entries
wait_for_fifo(14);

// enable all registers to be loaded for context loads
regw(CONTEXT_MASK, 0xFFFFFFFF);

// set destination pitch to modal pitch, set offset to zero
regw(DST_OFF_PITCH, (pitch_value / 8) << 22);

// zero these registers (set them to a known state)
regw(DST_Y_X, 0);
regw(DST_HEIGHT, 0);
regw(DST_BRES_ERR, 0);
regw(DST_BRES_INC, 0);
regw(DST_BRES_DEC, 0);

// set destination drawing attributes
regw(DST_CNTL, DST_LAST_PEL | DST_Y_TOP_TO_BOTTOM |
      DST_X_LEFT_TO_RIGHT);

// set source pitch to modal pitch, set offset to zero
regw(SRC_OFF_PITCH, (pitch_value / 8) << 22);

// set these registers to a known state
regw(SRC_Y_X, 0);
regw(SRC_HEIGHT1_WIDTH1, 1);
regw(SRC_Y_X_START, 0);
regw(SRC_HEIGHT2_WIDTH2, 1);

// set source pixel retrieving attributes
regw(SRC_CNTL, SRC_LINE_X_LEFT_TO_RIGHT);

// set host attributes
```

```

wait_for_fifo (13);
regw(HOST_CNTL, 0);

// set pattern attributes
regw(PAT_REG0, 0);
regw(PAT_REG1, 0);
regw(PAT_CNTL, 0);

// set scissors to modal size
regw(SC_LEFT, 0);
regw(SC_TOP, 0);
regw(SC_BOTTOM, yres-1);
regw(SC_RIGHT, pitch_value-1);

// set background color to minimum value (usually BLACK)
regw(DP_BKGD_CLR, 0);

// set foreground color to maximum value (usually WHITE)
regw(DP_FRGD_CLR, 0xFFFFFFFF);

// set write mask to effect all pixel bits
regw(DP_WRITE_MASK, 0xFFFFFFFF);

// set foreground mix to overpaint and background mix to
// no-effect
regw(DP_MIX, FRGD_MIX_S | BKGD_MIX_D);

// set primary source pixel channel to foreground color
// register
regw(DP_SRC, FRGD_SRC_FRGD_CLR);

// set compare functionality to false (no-effect on
// destination)
wait_for_fifo(3);
regw(CLR_CMP_CLR, 0);
regw(CLR_CMP_MASK, 0xFFFFFFFF);
regw(CLR_CMP_CNTL, 0);

// set pixel depth
switch(MODE_INFO.bpp)

```

```
{
    case 4 :
        wait_for_fifo(2);
        regw(DP_PIX_WIDTH, HOST_4BPP | SRC_4BPP |
            DST_4BPP | BYTE_ORDER_MSB_TO_LSB);
        regw(DP_CHAIN_MASK, 0x8888);
        break;
    case 8 :
        wait_for_fifo(2);
        regw(DP_PIX_WIDTH, HOST_8BPP | SRC_8BPP |
DST_8BPP |
            BYTE_ORDER_LSB_TO_MSB);
        regw(DP_CHAIN_MASK, 0x8080);
        break;
    case 15:
    case 16:
        if (MODE_INFO.depth == 555)
        {
            wait_for_fifo(2);
            regw (DP_PIX_WIDTH, HOST_15BPP | SRC_15BPP |
                DST_15BPP | BYTE_ORDER_LSB_TO_MSB);
            regw (DP_CHAIN_MASK, 0x4210);
        }
        else
        {
            wait_for_fifo(2);
            regw (DP_PIX_WIDTH, HOST_16BPP | SRC_16BPP |
                DST_16BPP | BYTE_ORDER_LSB_TO_MSB);
            regw (DP_CHAIN_MASK, 0x8410);
        }
        break;
    case 24:
        wait_for_fifo(2);
        regw (DP_PIX_WIDTH, HOST_8BPP | SRC_8BPP |
            DST_8BPP | BYTE_ORDER_LSB_TO_MSB);
        regw (DP_CHAIN_MASK, 0x8080);
        break;
```

```
    case 32:
        wait_for_fifo(2);
        regw (DP_PIX_WIDTH, HOST_32BPP | SRC_32BPP |
              DST_32BPP | BYTE_ORDER_LSB_TO_MSB);
        regw (DP_CHAIN_MASK, 0x8080);
        break;
    }
    wait_for_idle ( ); // insure engine is idle before leaving
}
```

This page intentionally left blank.

Chapter 6

Engine Operations

6.1 Introduction

This chapter demonstrates standard *mach64* accelerator operations.

6.2 Background Information

6.2.1 Details About the Registers

The following is a summary of *mach64* register groups and their functions and purpose.

6.2.1.1 Accelerator CRTC and DAC Registers

Clock Control: Used for controlling the frequency synthesizer.

CRTC: Used for setting up the Cathode Ray Tube Controller.

DAC: Used for programming the Digital-to-Analog Converter.

Hardware Cursor: Used for programming the hardware cursor.

Overscan: Used for setting up the color in the overscan display area.

6.2.1.2 Setup and Control Registers

Bus Control: Used for Bus-specific access.

Configuration: Used for configuring the *mach64* engine.

Memory Control: Used for setting up the apertures.

Scratch Pad: Used by the BIOS at boot time.

Test: Used when the *mach64* is put into diagnostic mode.

6.2.1.3 Draw Engine Control Registers

Color Compare: Used in setting up the color comparator circuit.

Context Control: Used with display contexts.

Data Path: Used to set up the pixel data path.

Engine Status: Provides information on the current status of the draw engine.

FIFO Status: Provides information on the current status of the FIFO Queue.

Host Data: Used to provide data from the host to the *mach64* engine.

Pattern: Used when drawing patterned lines or rectangles.

Scissor: Used to inhibit the draw engine outside a specified region.

6.2.1.4 Draw Engine Trajectory Registers

Destination Draw Engine: Used to set up the destination trajectory for the draw operation.

Source Draw Engine: Used to set up the source trajectory for the draw operation.

6.2.2 Logical Pixel Data Path

This section describes the internal architecture of the *mach64* graphics coprocessors. This powerful architecture is referred to as the **Pixel Data Path**. It provides great flexibility in the way the coprocessor may use color data from different sources to modify the destination pixels. The accompanying figure shows a block diagram of the pixel data path. The pixel data path is central to all the coprocessor drawing operations. As such, a thorough understanding of this architecture and the operation of its components is essential to programming the coprocessor.

Before the pixel data path is described, a number of key terms will be defined.

Destination refers to a region in on-screen or off-screen display memory that will be affected by a drawing operation. **Source** refers to the provider of the data used during a drawing operation to affect a destination pixel region. The source data may be set to specific colors (solid rectangle fills, solid lines, etc.); supplied by the host through data registers (pattern or host registers); read from a region in on-screen or off-screen display memory through source trajectories (bitblits). A **multiplexer**, or **mux**, is a switching device that uses one or more control lines to select a unique output from several inputs. An

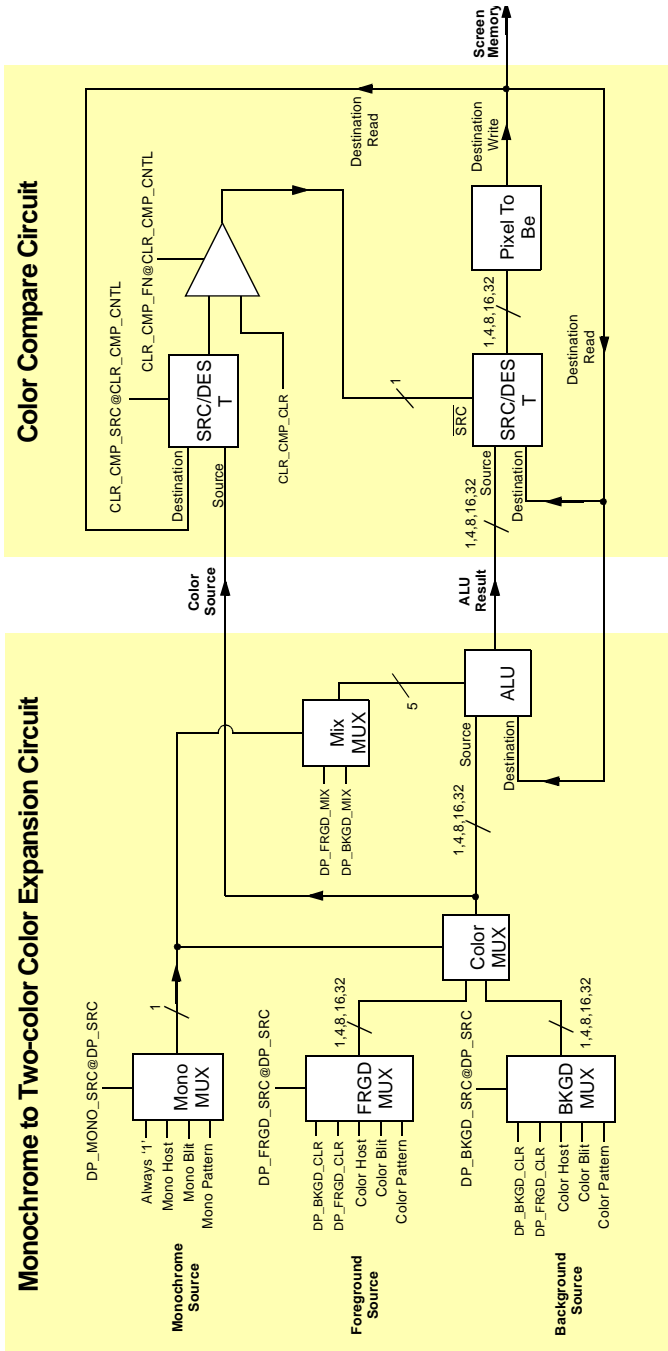
Arithmetic Logic Unit, or **ALU**, is a processor that performs a Boolean logic or arithmetic operation on two or more operands to produce an output. The operation performed by the ALU is referred to as the mix.

The logical pixel data path gives a basic understanding of how the combination of input values stored in the GUI registers result in screen output. It can be broken up into two distinct units: The monochrome to two-color color expansion circuit, and the color compare circuit. The physical data path is actually 64 bits wide for all color depths. Therefore, in 8 bpp modes, eight pixels are processed simultaneously; in 16 bpp modes, four pixels are processed simultaneously, and so on.

6.2.2.1 Monochrome To Two-color Color Expansion Circuit

This is the first half of the logical pixel data path. Its purpose is to generate source data. Various registers are set to define what the source data will be. Specifications set include color, pattern, trajectory, mixing logic, etc. In the pixel data path architecture, one of two color source units may provide the source data used to modify the destination pixels. These color sources are referred to as the **foreground source** and **background source**. During each drawing operation, one of these two sources is always selected for the source of each pixel area.

The selections and control of the source all begin with the DP_SRC register. Referring to the accompanying diagram, the MONO MUX, FRGD MUX, and BKGD MUX are all controlled by DP_SRC. These controls determine what the mono, foreground, and background source will be.



Note: These two blocks are VERY IMPORTANT in understanding the mach64.

Figure 6-2. Color Expansion and Color Compare Circuits

Mono Source: The mono MUX specifies the source of the mono source (control bit stream). This bit stream contains values of either '0' or '1', each corresponding to a pixel. Each pixel has one and only one value. This value is used to control the color mux and mix mux. If the value is '0', the background color and mix is used. If the value is '1', the foreground color and mix is used. There are four possible settings for the mono source, as set out by the DP_SRC register:

- **Always '1':** This is a trivial source and is used for simple blits and drawing functions. It forces the foreground source and foreground mix to always be used. The background source and mix is ignored.
- **Mono Pattern:** The source here becomes the 8x8 fixed mono pattern. The PAT_CNTL register enables the mono pattern, and the PAT_REG registers define it. See Section [6.2.2.4 Pattern Consumption](#) for details on how the pattern registers are interpreted.
- **Mono Host:** Setting the mono source to mono host forces the input to come from the HOST_DATA registers. The data must be set up previously, and the HOST_CNTL register must also be initialized. HOST_CNTL controls the consumption of host data on 1bpp and 4bpp data. If HOST_BYTE_ALIGN@ HOST_CNTL is set, host consumption advances to the nearest byte boundary whenever the destination trajectory advances in the Y directions. The host pixel depth must be set to monochrome with DP_PIX_WIDTH, and the monochrome data is color expanded into foreground and background color sources. Destination pixel depth may be set to any valid pixel depth. Section [6.2.2.3 Host Data Consumption](#) gives a detailed explanation on the consumption of the host data.
- **Mono Blit:** This source selects one of four possible source trajectories (see trajectories sect...) using the SRC_CNTL register. The source pixel depth must be set to monochrome with DP_PIX_WIDTH, and the monochrome data is color expanded into foreground and background color sources. Destination pixel depth may be set to any valid pixel depth. The source is defined by the source trajectory registers. More in trajectories can be found in section 6.1.3 Trajectories.

Foreground and Background Source: The foreground and background sources are identical in their characteristics. They contain color information only, and are referred to as the color source. One of five settings can be independently selected for the foreground and background source. These settings are described as follows:

- **DP_BKGD_CLR:** 1 to 32 bit value corresponding to a color located in the background color register. The number of bits used varies depending on the graphics mode used.
- **DP_FRGD_CLR:** Same as DP_BKGD_CLR, but using the foreground color register.
- **Color Blit:** Similar to Mono Blit, except DP_PIX_WIDTH is set to the appropriate pixel depth. Again, the source is defined by the source trajectory registers.

- **Color Pattern:** The source is the 4x2 and 8x1 fixed color patterns set up in PAT_REG. These patterns are only useful in 8bpp draw mode. PAT_CNTL is used to select which of the color patterns is to be used.
- **Color Host:** Similar to the Mono Host, the source is taken from HOST_DATA and controlled by HOST_CNTL. If the Color Host is selected for one of the color sources, host data will be consumed for every pixel, regardless of whether the color MUX selects that color source.

Note that the host pixel depth must be set to the same pixel depth as the destination pixel depth with DP_PIX_WIDTH

Color MUX: The Color MUX is fairly straightforward. The bit stream generated by the mono MUX determines whether the output of the foreground MUX or background MUX is used to generate the output color. As indicated in Mono Source, '0' for background source and '1' for foreground source.

Mix MUX: The Mix MUX is controlled by the same bit stream as the Color MUX and determines how the output gets mixed before it is displayed. Once again, the control bits are interpreted as '0' for background mix and '1' for foreground mix.

ALU: The ALU performs the actual mixing of the color source (source input) and destination read (destination input) based on the Mix MUX output. The result of the mix is passed on to the logical color compare circuit.

6.2.2.2 Color Compare Circuit

The second half of the Logical Pixel Data Path is the color compare circuit. It is useful in performing operations such as transparent blits. It is driven by the CLR_CMP_CNTL register. Source data is inputted to this circuit and the color compare registers determine if the source data (output of the ALU) gets displayed to the screen or not (current pixel in video memory is re-outputted).

The comparator (located at the center of the diagram) is the heart of the color compare circuit. This determines what will be outputted to the screen. Its control is CLR_CMP_FCN@CLR_CMP_CNTL. This field determines how the source data is compared to CLR_CMP_CLR, and can be set to TRUE, FALSE, EQUAL, or NOT EQUAL)

Trivial Cases (TRUE or FALSE): Trivial cases are when this field is either true or false. If it is set to false, the output of the comparator is always false, resulting in the source data always being outputted to the screen. In essence, it's as if the color compare circuit were not even there, and the ALU result from the monochrome to two-color expansion circuit

were outputted directly to the screen. If the field is set to true, the output of the comparator is always true, and the bottom SRC/DEST MUX only allows the destination read to pass. Here, the destination is outputted to itself, and the screen contents don't change. The source data is basically ignored.

Non-Trivial Cases (EQUAL or NOT EQUAL): Non-trivial cases are when CLR_CMP_FCN is set to CLR_CMP_CLR or not (CLR_CMP_CLR). In these cases the result of the top left SRC/DEST MUX is compared with the contents of CLR_CMP_CLR.

The top left SRC/DEST MUX is controlled by CLR_CMP_SRC@CLR_CMP_CNTL. It basically specifies whether CLR_CMP_CLR is compared with the source or destination. It is only used if CLR_CMP_FCN is set to a non-trivial value. The output of this MUX is compared with CLR_CMP_CLR (EQUAL or NOT_EQUAL), and the result of the comparator is either true or false. This result gets fed into the bottom MUX and determines if the source (output of the ALU circuit) or destination (current pixel in video memory) gets outputted to the screen.

6.2.2.3 Host Data Consumption

The following tables illustrate the order in which pixels are consumed from the HOST_DATA register. The shaded numbers indicate the bit position within the HOST_DATA register. The numbers in the table indicate the order of pixel consumption, starting from zero.

| | | HOST_DATA | | | | | | | | | | | | | | | |
|---|--|-----------|----|----|----|----|----|----|----|----|----|----|----|----|----|----|----|
| | | 31 | 30 | 29 | 28 | 27 | 26 | 25 | 24 | 23 | 22 | 21 | 20 | 19 | 18 | 17 | 16 |
| | | 15 | 14 | 13 | 12 | 11 | 10 | 9 | 8 | 7 | 6 | 5 | 4 | 3 | 2 | 1 | 0 |
| Monochrome or 1 bpp, left-to-right, DP_BYTE_PIX_ORDER@DP_PIX_WIDTH=0 | | 24 | 25 | 26 | 27 | 28 | 29 | 30 | 31 | 16 | 17 | 18 | 19 | 20 | 21 | 22 | 23 |
| | | 8 | 9 | 10 | 11 | 12 | 13 | 14 | 15 | 0 | 1 | 2 | 3 | 4 | 5 | 6 | 7 |
| Monochrome or 1 bpp, right-to-left, DP_BYTE_PIX_ORDER@DP_PIX_WIDTH=0 | | 7 | 6 | 5 | 4 | 3 | 2 | 1 | 0 | 15 | 14 | 13 | 12 | 11 | 10 | 9 | 8 |
| | | 23 | 22 | 21 | 20 | 19 | 18 | 17 | 16 | 31 | 30 | 29 | 28 | 27 | 26 | 25 | 24 |
| Monochrome or 1 bpp, left-to-right, DP_BYTE_PIX_ORDER@DP_PIX_WIDTH=1 | | 31 | 30 | 29 | 28 | 27 | 26 | 25 | 24 | 23 | 22 | 21 | 20 | 19 | 18 | 17 | 16 |
| | | 15 | 14 | 13 | 12 | 11 | 10 | 9 | 8 | 7 | 6 | 5 | 4 | 3 | 2 | 1 | 0 |
| Monochrome or 1 bpp, right-to-left, DP_BYTE_PIX_ORDER@DP_PIX_WIDTH=1 | | 0 | 1 | 2 | 3 | 4 | 5 | 6 | 7 | 8 | 9 | 10 | 11 | 12 | 13 | 14 | 15 |
| | | 16 | 17 | 18 | 19 | 20 | 21 | 22 | 23 | 24 | 25 | 26 | 27 | 28 | 29 | 30 | 31 |

| | HOST_DATA | | | | | | | |
|---|-----------|-------|-------|-------|-------|------|-----|-----|
| | 31-28 | 27-24 | 23-20 | 19-16 | 15-12 | 11-8 | 7-4 | 3-0 |
| 4 bpp, left-to-right, DP_BYTE_PIX_ORDER@DP_PIX_WIDTH=0 | 6 | 7 | 4 | 5 | 2 | 3 | 0 | 1 |
| 4 bpp, right-to-left, DP_BYTE_PIX_ORDER@DP_PIX_WIDTH=0 | 1 | 0 | 3 | 2 | 5 | 4 | 7 | 6 |
| 4 bpp, left-to-right, DP_BYTE_PIX_ORDER@DP_PIX_WIDTH=1 | 7 | 6 | 5 | 4 | 3 | 2 | 1 | 0 |
| 4 bpp, right-to-left, DP_BYTE_PIX_ORDER@DP_PIX_WIDTH=1 | 0 | 1 | 2 | 3 | 4 | 5 | 6 | 7 |
| 8 bpp, left-to-right | 3 | | 2 | | 1 | | 0 | |
| 8 bpp, right-to-left | 0 | | 1 | | 2 | | 3 | |
| 16 bpp, left-to-right | 1 | | | | 0 | | | |
| 16 bpp, right-to-left | 0 | | | | 1 | | | |

Notes:

- Host data consumption for 32 bits per pixel is self-evident.
- Host data consumption for line draws is the same as for left-to-right trajectories.
- Pixel consumption in 15 bpp modes is the same as 16 bpp modes.
- Packed 24 bpp mode is essentially 8 bpp mode. R, G, and B component data must be fed in individually in 8-bit units.
- The HOST_BYTE_ALIGN@HOST_CNTL bit may affect pixel consumption for 1 bpp and 4 bpp modes. When it is set, pixel consumption advances to the next nearest byte boundary whenever the destination advances in the Y direction. Line draws are unaffected.
- If too much host data is written to the HOST_DATA register, the extra data will be ignored.
- If not enough data is written to the HOST_DATA register, any subsequent write to a FIFOed register will cause the draw engine to *panic*; that is, the draw operation will complete with a garbage color.

6.2.2.4 Pattern Consumption

Pattern consumption for the various fixed patterns is shown in the tables below. P0 and P1 indicate PAT_REG0 and PAT_REG1 respectively. The numbers in parentheses are the bits within the pattern registers, which are used according to the destination pixel location.

| Monochrome 8x8 fixed pattern, DP_BYTE_PIX_ORDER@DP_PIX_WIDTH = 0 | | | | | | | | |
|--|---------------|--------|--------|--------|--------|--------|--------|--------|
| (DST_Y mod 8) | (DST_X mod 8) | | | | | | | |
| | 0 | 1 | 2 | 3 | 4 | 5 | 6 | 7 |
| 0 | P0(7) | P0(6) | P0(5) | P0(4) | P0(3) | P0(2) | P0(1) | P0(0) |
| 1 | P0(15) | P0(14) | P0(13) | P0(12) | P0(11) | P0(10) | P0(9) | P0(8) |
| 2 | P0(23) | P0(22) | P0(21) | P0(20) | P0(19) | P0(18) | P0(17) | P0(16) |
| 3 | P0(31) | P0(30) | P0(29) | P0(28) | P0(27) | P0(26) | P0(25) | P0(24) |
| 4 | P1(7) | P1(6) | P1(5) | P1(4) | P1(3) | P1(2) | P1(1) | P1(0) |
| 5 | P1(15) | P1(14) | P1(13) | P1(12) | P1(11) | P1(10) | P1(9) | P1(8) |
| 6 | P1(23) | P1(22) | P1(21) | P1(20) | P1(19) | P1(18) | P1(17) | P1(16) |
| 7 | P1(31) | P1(30) | P1(29) | P1(28) | P1(27) | P1(26) | P1(25) | P1(24) |

| Monochrome 8x8 fixed pattern, DP_BYTE_PIX_ORDER@DP_PIX_WIDTH = 1 | | | | | | | | |
|--|---------------|--------|--------|--------|--------|--------|--------|--------|
| (DST_Y mod 8) | (DST_X mod 8) | | | | | | | |
| | 0 | 1 | 2 | 3 | 4 | 5 | 6 | 7 |
| 0 | P0(0) | P0(1) | P0(2) | P0(3) | P0(4) | P0(5) | P0(6) | P0(7) |
| 1 | P0(8) | P0(9) | P0(10) | P0(11) | P0(12) | P0(13) | P0(14) | P0(15) |
| 2 | P0(16) | P0(17) | P0(18) | P0(19) | P0(20) | P0(21) | P0(22) | P0(23) |
| 3 | P0(24) | P0(25) | P0(26) | P0(27) | P0(28) | P0(29) | P0(30) | P0(31) |
| 4 | P1(0) | P1(1) | P1(2) | P1(3) | P1(4) | P1(5) | P1(6) | P1(7) |
| 5 | P1(8) | P1(9) | P1(10) | P1(11) | P1(12) | P1(13) | P1(14) | P1(15) |
| 6 | P1(16) | P1(17) | P1(18) | P1(19) | P1(20) | P1(21) | P1(22) | P1(23) |
| 7 | P1(24) | P1(25) | P1(26) | P1(27) | P1(28) | P1(29) | P1(30) | P1(31) |

| 8 bpp, 4x2 fixed pattern | | | | |
|--------------------------|---------------|----------|-----------|-----------|
| (DST_Y mod 2) | (DST_X mod 4) | | | |
| | 0 | 1 | 2 | 3 |
| 0 | P0(7:0) | P0(15:8) | P0(23:16) | P0(31:24) |
| 1 | P1(7:0) | P1(15:8) | P1(23:16) | P1(31:24) |

| 8 bpp, 8x1 fixed pattern | | | | | | | |
|--------------------------|----------|-----------|-----------|---------|----------|-----------|-----------|
| (DST_X mod 8) | | | | | | | |
| 0 | 1 | 2 | 3 | 4 | 5 | 6 | 7 |
| P0(7:0) | P0(15:8) | P0(23:16) | P0(31:17) | P1(7:0) | P1(15:8) | P1(23:16) | P1(31:24) |

6.2.3 Trajectories

A **trajectory** is the path traversed through display memory while reading source data or drawing destination data during a raster operation. A trajectory is defined by a set of parameters that describe its location, dimensions, and attributes, such as its starting point in memory, width and height if a rectangular trajectory, and the direction in which pixel data is read or written. A trajectory may extend through a linear, continuous region in memory starting from a specific location. Alternatively, its route may map a rectangular region relative to a coordinate system whose origin in memory and pitch between consecutive lines are defined as part of the trajectory's parameters.

The trajectories used by the *mach64* accelerator functions fall into two categories: **source trajectories**, and **destination trajectories**. A source trajectory describes a region in memory from which source data is read for a raster operation. A destination trajectory describes the region where a raster operation will draw pixel data.

Several drawing operations require data from one region of memory to be transferred to another (and in some cases, the source data and destination data may need to be combined in some fashion). For example, a bitblt (bit block transfer) operation must copy data from a rectangular region in on-screen or off-screen memory to another rectangular region in on-screen or off-screen memory. The rectangular source region may be defined by a rectangular source trajectory, while the destination region may be defined by a rectangular destination trajectory. As the destination trajectory advances through its path, it writes the data that is read through the source trajectory as it moves along its path.

Many examples showing how to set up and use source and destination trajectories are presented in subsequent sections where common accelerator functions are described. Meanwhile, the following table and sections describe the source and destination

trajectories and explain the criteria for establishing them.

The **Trajectory Registers** column specifies all the registers that need to be initialized for the desired trajectory.

The **Initiator** registers are registers that, once set, will initiate the draw operation. This means that all source trajectory registers (if any) and any other destination trajectory registers that need to be set must already be set. (i.e., this register is always the last one set.) This initiator register also indicated to the engine what the destination trajectory is.

The **Enable** bits are located in the SRC_CNTL register. They indicate what the source trajectory will be. They are usually, but not necessarily, set first. The bits are examined in the following order: SRC_LINEAR, SRC_PATT_ENA, and SRC_PATT_ROT.

| | Trajectory | Trajectory Registers | Enable/Initiate | |
|-------------|----------------------------------|--|--|------------|
| Destination | Rectangle | DST_OFFSET, DST_PITCH, DST_X, DST_Y, DST_WIDTH, DST_HEIGHT, DST_X_DIR@DST_CNTL, DST_Y_DIR@DST_CNTL | DST_WIDTH or DST_HEIGHT_WIDTH or DST_X_WIDTH | Initiators |
| | Line | DST_OFFSET, DST_PITCH, DST_X, DST_Y, DST_BRES_LNTH, DST_BRES_ERR, DST_BRES_INC, DST_BRES_DEC, DST_X_DIR@DST_CNTL, DST_Y_DIR@DST_CNTL, DST_Y_MAJOR@DST_CNTL | DST_BRES_LNTH | |
| Source | Strictly Linear | SRC_OFFSET If destination is line, then SRC_LINE_X_DIR@SRC_CNTL, else DST_X_DIR@DST_CNTL | SRC_LINEAR@SRC_CNTL==1 | Enables |
| | Unbounded Y | SRC_OFFSET, SRC_PITCH, SRC_X, SRC_Y, SRC_WIDTH1 If destination is line, then also SRC_LINE_X_DIR@SRC_CNTL | SRC_PATT_ENA@SRC_CNTL==0 SRC_PATT_ROT@SRC_CNTL==0 SRC_LINEAR@SRC_CNTL==0 | |
| | General Pattern | SRC_OFFSET, SRC_PITCH, SRC_X, SRC_Y, SRC_WIDTH1, SRC_HEIGHT1 If destination is line, then also SRC_LINE_X_DIR@SRC_CNTL | SRC_PATT_ENA@SRC_CNTL==1 SRC_PATT_ROT@SRC_CNTL==0 SRC_LINEAR@SRC_CNTL==0 | |
| | General Pattern with Rotation | SRC_OFFSET, SRC_PITCH, SRC_X, SRC_Y, SRC_WIDTH1, SRC_HEIGHT1, SRC_X_START, SRC_Y_START, SRC_WIDTH2, SRC_HEIGHT2 If destination is line, then also SRC_LINE_X_DIR@SRC_CNTL | SRC_PATT_ENA@SRC_CNTL==1 SRC_PATT_ROT@SRC_CNTL==1 SRC_LINEAR@SRC_CNTL==0 | |

Notes:

- DP_PIX_WIDTH, SRC_OFF_PITCH and SRC_LINEAR@SRC_CNTL should be written before any other source registers because they do not force a recalculation of the source memory address. SRC_Y should be written to in order to force a recalculation before doing a draw operation with a blit source. Similarly, for DP_PIX_WID and DST_OFF_PITCH, a destination address recalculation can be forced by writing to DST_Y.
- SRC_WIDTH1, SRC_WIDTH2, and DST_WIDTH should never be set to zero. This is an invalid condition.

6.2.3.1 Destination Trajectory 1, Rectangular

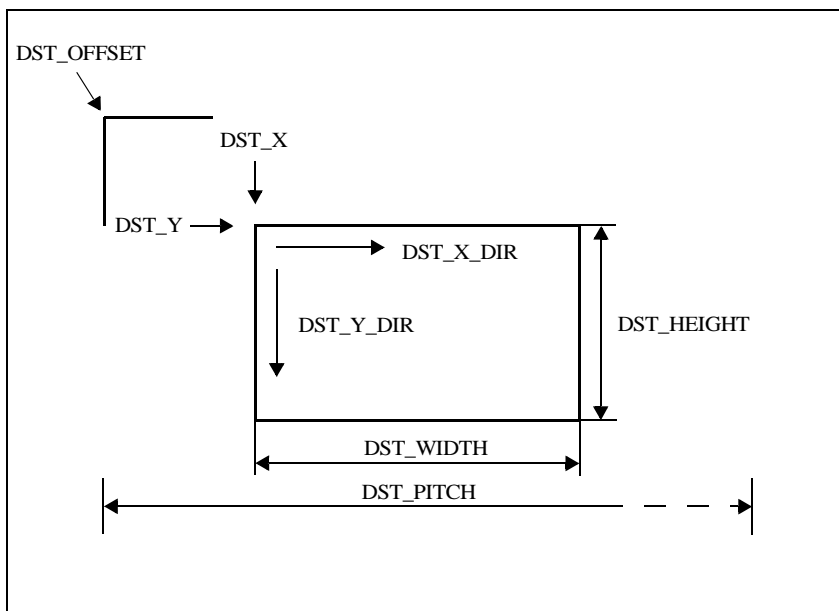


Figure 6-2. Destination Trajectory 1

Description: The trajectory begins at the initial DST_X, DST_Y location. The trajectory traverses in a left-to-right or right-to-left direction depending on DST_X_DIR@DST_CNTL, until DST_WIDTH pixels have been drawn. DST_X is then reset to the original DST_X value, and DST_Y is advanced in a top-to-bottom or bottom-to-top direction depending on DST_Y_DIR@DST_CNTL. The operation continues until DST_HEIGHT lines have been drawn.

Initiator: DST_WIDTH or DST_HEIGHT_WIDTH or DST_X_WIDTH

6.2.3.2 Destination Trajectory 2, Line

| Octant | DST_X_DIR | DST_Y_MAJOR | DST_Y_DIR |
|--------|-----------|-------------|-----------|
| 0 | 1 | 0 | 0 |
| 1 | 1 | 1 | 0 |
| 2 | 0 | 1 | 0 |
| 3 | 0 | 0 | 0 |
| 4 | 0 | 0 | 1 |
| 5 | 0 | 1 | 1 |
| 6 | 1 | 1 | 1 |
| 7 | 1 | 0 | 1 |

Figure 6-3. Destination Trajectory 2

Description: The line drawing pseudocode that describes the draw trajectory is based on Bresenham's Algorithm:

```

for (i=0; i<DST_BRES_LNTH; i++)
{
    WritePixel(DST_X, DST_Y)
    // Advance in the major axis direction.
    if (DST_Y_MAJOR) {
        if (DST_Y_DIR) DST_Y += 1
        else DST_Y -= 1
    } else {
        if (DST_X_DIR) DST_X += 1
        else DST_X -= 1
    }
    if (DST_BRES_ERR < 0 || (DST_BRES_SIGN && DST_BRES_ERR==0))
    {
        // Axial step.
        DST_BRES_ERR += DST_BRES_INC
    }
    else
    {
        // Diagonal step.
        DST_BRES_ERR += DST_BRES_DEC
        // Advance in the minor axis direction also.
        if (DST_Y_MAJOR)

```

```
        {
            if (DST_X_DIR) DST_X += 1
            else DST_X -= 1
        }
    else
    {
        if (DST_Y_DIR) DST_Y += 1
        else DST_Y -= 1
    }
}
if (DST_LAST_PEL) WritePixel(DST_X, DST_Y)
```

The octant bits and DST_LAST_PEL reside in DST_CNTL.

The Bresenham parameters are calculated as follows:

$$\text{DST_BRES_ERR} = 2 * \min(|dx|,|dy|) - \max(|dx|,|dy|)$$

$$\text{DST_BRES_INC} = 2 * \min(|dx|,|dy|)$$

$$\text{DST_BRES_DEC} = 2 * \min(|dx|,|dy|) - 2 * \max(|dx|,|dy|)$$

$$\text{DST_BRES_LNTH} = \max(|dx|,|dy|) + 1$$

Initiator: DST_BRES_LNTH

Comments: The DST_BRES_SIGN bit is used to determine whether a zero value for the Bresenham error term is considered to be positive or negative. This is important for drawing lines with the same endpoints identically no matter which direction the line draw proceeds in. It is up to the host application to set a convention (right/left or top/bottom) for using this bit.

6.2.3.3 Source Trajectory 1, Strictly Linear

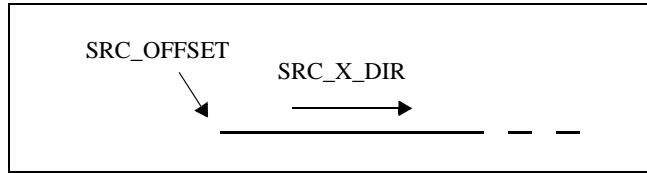


Figure 6-4. Source Trajectory 1

Description: This source trajectory traverses linearly in memory starting at SRC_OFFSET. Pixels are consumed until the destination trajectory has halted.

Criterion: SRC_LINEAR@SRC_CNTL==1

Comments: Source offset and SRC_X_DIR are the only parameters used to set up the source trajectory. SRC_X_DIR tracks DST_X_DIR@DST_CNTL in the case of blits. For lines, SRC_X_DIR equals SRC_LINE_X_DIR@SRC_CNTL. SRC_X_DIR should be set to go from left to right.

6.2.3.4 Source Trajectory 2, Unbounded Y

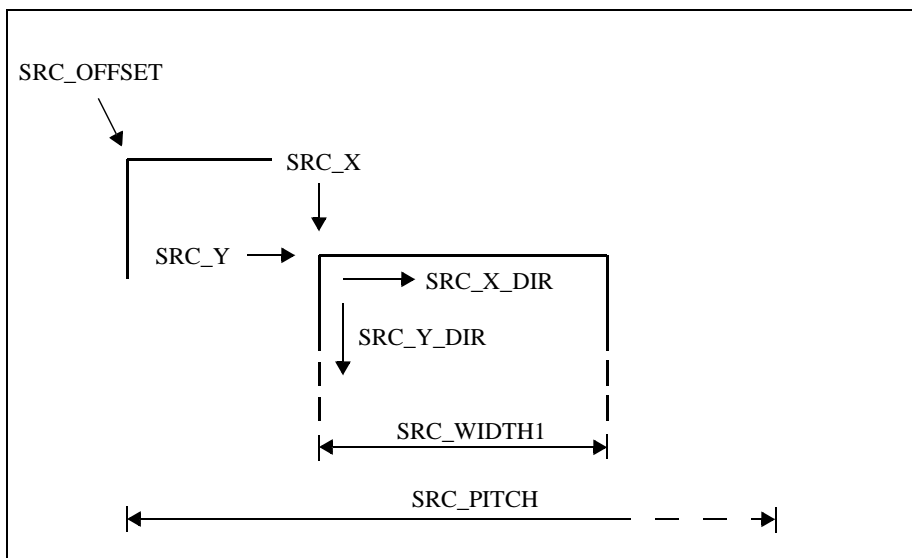


Figure 6-5. Source Trajectory 2

Description: This source trajectory begins at SRC_X, SRC_Y. This trajectory traverses in a left-to-right or right-to-left direction depending on SRC_X_DIR (equal to DST_X_DIR@DST_CNTL for destination rectangles, or SRC_LINE_X_DIR@SRC_CNTL for destination lines). When SRC_WIDTH1 pixels have been consumed, SRC_X is reset to its original value and SRC_Y is advanced in a top-to-bottom or bottom-to-top direction depending on SRC_Y_DIR (which is equal to DST_Y_DIR@DST_CNTL). Pixels are consumed until the destination trajectory has halted.

Criterion: SRC_PATT_EN@SRC_CNTL==0 and SRC_PATT_ROT@SRC_CNTL==0 and SRC_LINEAR@SRC_CNTL==0

Comments: If the destination trajectory is rectangular, SRC_X_DIR and SRC_Y_DIR track DST_X_DIR@DST_CNTL and DST_Y_DIR@DST_CNTL. For lines, SRC_LINE_X_DIR@SRC_CNTL is used and the source trajectory does not advance in the Y direction.

6.2.3.5 Source Trajectory 3, General Pattern

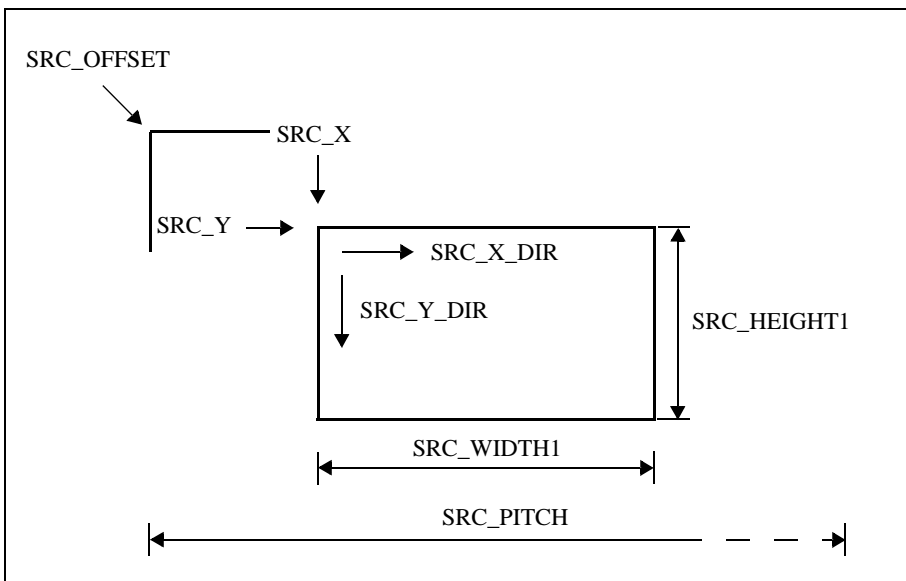


Figure 6-6. Source Trajectory 3

Description: This source trajectory begins at SRC_X, SRC_Y. This trajectory traverses in a left-to-right or right-to-left direction depending on SRC_X_DIR (equal to DST_X_DIR@DST_CNTL for destination rectangles, or SRC_LINE_X_DIR@SRC_CNTL for destination lines). When

SRC_WIDTH1 pixels have been consumed, SRC_X is reset to its original value. When the destination advances in the Y direction, SRC_X is reset to its original value and SRC_Y is advanced in a top-to-bottom or bottom-to-top direction depending on SRC_Y_DIR (which is equal to DST_Y_DIR@DST_CNTL). When SRC_HEIGHT1 lines have been consumed, SRC_Y is reset to its original value. Pixels are consumed until the destination trajectory has halted.

Criterion: SRC_PATT_EN@SRC_CNTL==1 and SRC_PATT_ROT@SRC_CNTL==0 and SRC_LINEAR@SRC_CNTL==0

Comments: If the destination trajectory is rectangular, SRC_X_DIR and SRC_Y_DIR track DST_X_DIR@DST_CNTL and DST_Y_DIR@DST_CNTL. For lines, SRC_LINE_X_DIR@SRC_CNTL is used and the source trajectory does not advance in the Y direction.

6.2.3.6 Source Trajectory 4, General Pattern With Rotation

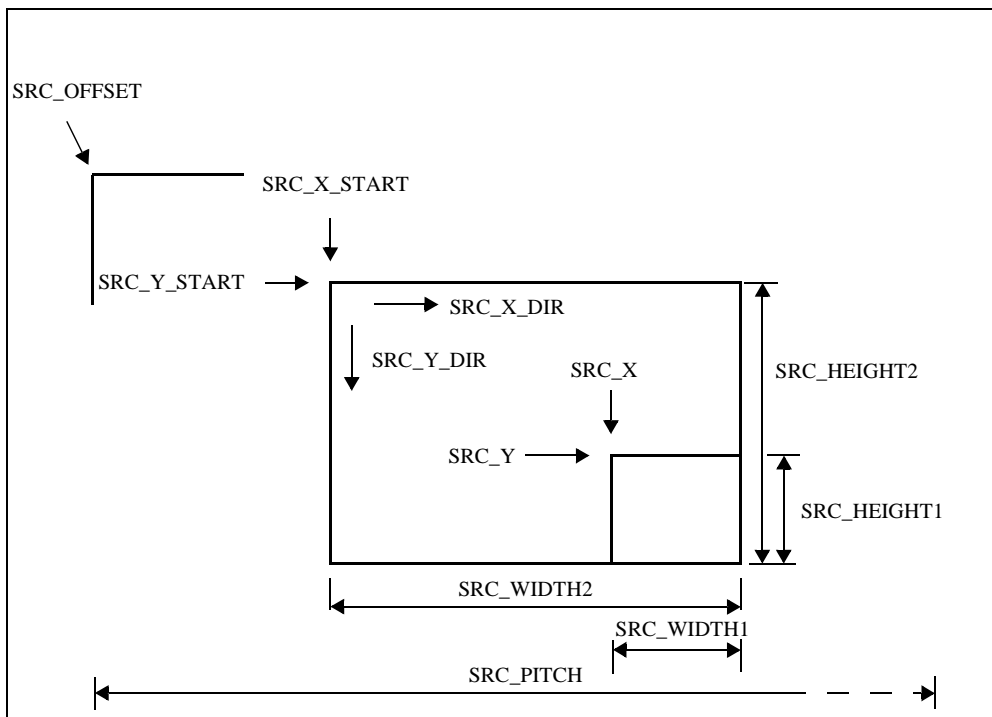


Figure 6-7. Source Trajectory 4

Description: This source trajectory begins at SRC_X, SRC_Y. This trajectory traverses in a left-to-right or right-to-left direction depending on SRC_X_DIR (equal to DST_X_DIR@DST_CNTL for destination rectangles, or SRC_LINE_X_DIR@SRC_CNTL for destination lines). When SRC_WIDTH1 pixels have been consumed, SRC_X is reset to SRC_X_START. When the destination advances in the Y direction, SRC_X is reset to SRC_X_START and SRC_Y is advanced in a top-to-bottom or bottom-to-top direction depending on SRC_Y_DIR (which is equal to DST_Y_DIR@DST_CNTL). All further traversals in the X direction use SRC_WIDTH2, instead of SRC_WIDTH1 and reset to SRC_X_START. When SRC_HEIGHT1 lines have been consumed, SRC_Y is reset to SRC_Y_START. All further traversals use SRC_HEIGHT2 instead of SRC_HEIGHT1 and reset to SRC_Y_START when the count is exhausted. Pixels are consumed until the destination trajectory has halted.

Criterion: SRC_PATT_EN@SRC_CNTL==1 and SRC_PATT_ROT@SRC_CNTL==1 and SRC_LINEAR@SRC_CNTL==0

Comments: If the destination trajectory is rectangular, SRC_X_DIR and SRC_Y_DIR track DST_X_DIR@DST_CNTL and DST_Y_DIR@DST_CNTL. For lines, SRC_LINE_X_DIR@SRC_CNTL is used and the source trajectory does not advance in the Y direction.

6.2.3.7 Trajectory Modifier 1, SRC_BYTE_ALIGN

When SRC_BYTE_ALIGN@SRC_CNTL is set, the source pointer skips to the next byte boundary when the destination trajectory advances in the Y direction. There is a similar bit for host data called HOST_BYTE_ALIGN@HOST_CNTL. These bits are only meaningful for 1 bpp or 4 bpp data. See Section 6.2.2.3: *Host Data Consumption* for the pixel ordering.

6.2.3.8 Trajectory Modifier 2, DST_POLYGON_EN

The DST_POLYGON_EN affects both lines and blits.

When drawing a line, only a single pixel is drawn per scan line (this only affects X major lines). Horizontal lines are not drawn. Lines whose trajectory goes left of the left scissor are saturated to the left scissor.

When blitting, at the beginning of each destination line, an internal polygon fill flag is reset. If the polygon fill flag is reset, drawing is inhibited at the destination. For each pixel, an implicit 1 bpp polygon boundary source (this is neither a monochrome nor a color source, but an implicit third source) is read. If the result is '1' (a polygon edge) the polygon

fill flag is toggled. Both left and right edges of the polygon are inclusive. The right edge is optionally exclusive on the *mach64CT* family.

6.2.3.9 Trajectory Modifier 3, DP_BYTE_PIX_ORDER

The DP_BYTE_PIX_ORDER@DP_PIX_WIDTH bit affects the pixel order of both 1 bpp and 4 bpp data within a byte. This affects the source area, destination area, and host data consumption. When set, left-to-right pixel order proceeds from the least significant bit or nibble to the most significant bit or nybble within a byte. The bitwise order is unaffected. See *Section 6.2.2.3: Host Data Consumption* for the pixel ordering.

6.2.4 Side Effects Of Trajectories

A side effect is a change in the draw engine state after a draw operation has been completed. Typically, it refers to the trajectory pointers (the source and destination coordinates).

- The source pointer is always reset to the original SRC_X, SRC_Y after completion of a draw operation.
- The destination pointer is set according to the DST_X_TILE and DST_Y_TILE bits after completion of a blit operation. If DST_X_TILE is set, then DST_X = original_DST_X + DST_WIDTH for left-to-right destination trajectories, or DST_X = original_DST_X - DST_WIDTH for right-to-left destination trajectories; otherwise, it is reset to the original DST_X value from before the draw. This is also applicable for the DST_Y_TILE bit (with DST_Y and DST_HEIGHT).
- For lines, the final DST_X, DST_Y rest on the last pixel of the line. The LAST_PEL_ON bit specifies whether the last pixel on that line is drawn.

6.2.5 Source And Destination Alignment

Sources may have one of two possible alignments:

- **Source alignment**
- **Destination alignment**

Source alignment means that the top left corner of the source area is aligned to the top left corner of the destination area, as illustrated below:

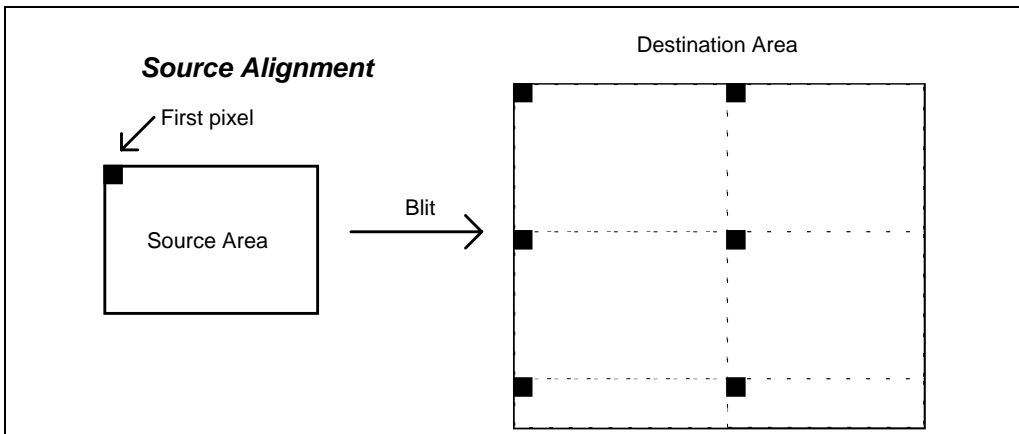


Figure 6-10. Source Alignment

Destination alignment to the Nth pixel means that the top left corner of the source area is aligned to $(X \bmod N) == 0$ and $(Y \bmod N) == 0$. There may in fact be different N values for the horizontal and vertical destination alignment.

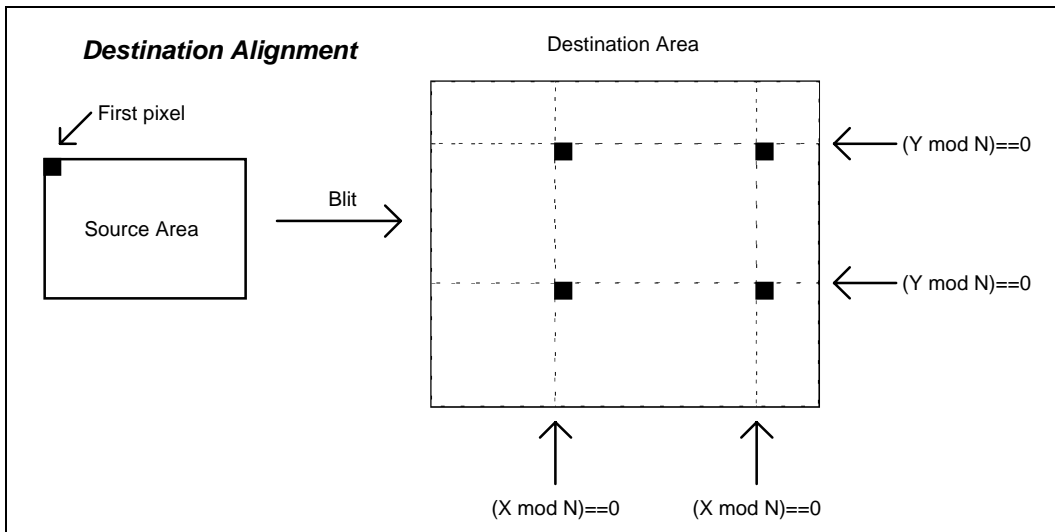


Figure 6-11. Destination Alignment

Various sources and their implicit alignments are listed below:

Table 6-1 Source Alignment

| Source | Alignment |
|--|---------------------------|
| DP_FRGD_CLR | Destination aligned |
| DP_BKGD_CLR | Destination aligned |
| Fixed 8x8 mono pattern | Destination aligned X8 Y8 |
| Fixed 4x2 color pattern | Destination aligned X4 Y2 |
| Fixed 8x1 color pattern | Destination aligned X8 |
| Mono host | Source aligned |
| Color host | Source aligned |
| Any blit source (strictly linear, unbounded Y, general pattern, general pattern with rotation) | Source aligned |

The strict definition of **source alignment** is that a QWORD (or DWORD depending on memory type and size) for a source-aligned source is rotated to align with the destination. No rotation occurs for destination-aligned sources.

6.2.6 Source and Destination Mixing Logic

A source and destination pixel may be mixed in two ways:

- A logical operation or an averaging function may be performed on the source and destination to produce a composite pixel. The process may be referred to as an ALU function, a mix function, or a ROP (raster operation).
- The color source pixel (before ALU processing) or the destination pixel can be compared to a color compare register. If the result is FALSE, the result of the ALU is written; otherwise, the destination pixel is written back to the destination (no pixel is drawn). In this manner, the source pixel can be selectively inhibited from writing to the destination.

ALU functions and compare functions may be used at the same time, but the ALU will only operate on pixels for which the compare function returns FALSE.

The available mix functions and compare functions are listed in the tables below. The ALU will mix the source and destination data with any of the functions listed. More complex functions may be accomplished with multiple passes.

The comparison functions compare a color register against the destination data at the current pixel.

- If the result of the comparison is FALSE, the result of the ALU is written to the destination; otherwise, the destination data is written to the destination.

Table 6-2 Mix and Comparison Functions

| Mix Functions | | Comparison Functions | |
|---------------|---------------------|----------------------|------------------------|
| 0 | not D | 0 | FALSE |
| 1 | 0 | 1 | TRUE |
| 2 | 1 | 2 | Reserved |
| 3 | D | 3 | Reserved |
| 4 | not S | 4 | Pixel != CLR_CMP_COLOR |
| 5 | D xor S | 5 | Pixel == CLR_CMP_COLOR |
| 6 | (not D) xor S | 6 | Reserved |
| 7 | S | 7 | Reserved |
| 8 | (not D) or (not S) | | |
| 9 | D or (not S) | | |
| A | (not D) or S | | |
| B | D or S | | |
| C | D and S | | |
| D | (not D) and S | | |
| E | D and (not S) | | |
| F | (not D) and (not S) | | |
| 17 | (D+S) >> 1 | | |

Function 17h additionally requires the DP_CHAIN_MASK register to be set. Each '1' in the mask will prevent the carry bit from that bit position from adding to the next bit.

6.2.7 Remarks On Pixel Depth

Not all pixel depths are created equal:

- 1 bpp mode is supported by the drawing engine but not by the CRTC. Therefore, 1 bpp mode can only be used in off-screen memory.
- Pitch is normally specified in multiples of 8 pixels. An additional restriction is that it must also fall on a 64-bit boundary. That implies that pitch for 1 bpp mode must be a multiple of 64 pixels, and pitch for 4 bpp mode must be a multiple of 16 pixels.
- The DP_BYTE_PIX_ORDER@DP_PIX_WIDTH bit only affects pixel ordering within a byte. Therefore, only 1 bpp and 4 bpp modes are affected.
- All pixel depths above 8 bpp are direct color modes. 4 bpp and 8 bpp modes are pseudocolor modes.
- Packed 24 bpp mode is actually 24 bpp CRTC mode and 8 bpp draw mode with

special rotations done on DP_FRGD_CLR, DP_BKGD_CLR, DP_WRITE_MASK, and fixed 8x8 mono patterns. See *Drawing in Packed 24 Bit Per Pixel Mode* in Section 6.4.1.

- DP_CHAIN_MASK must be manually set for the destination pixel depth (this register only affects the mix function 17h, the averaging function). The following table lists the settings:

Table 6-3 DP_CHAIN_MASK Setting

| Pixel Depth | DP_CHAIN_MASK |
|-------------------|---------------|
| 1 bpp | N/A |
| 4 bpp pseudocolor | 0x8888 |
| 8 bpp | 0x8080 |
| 15 bpp, aRGB 1555 | 0x4210 |
| 16 bpp, RGB 565 | 0x8410 |
| 24 bpp, RGB 888 | 0x8080 |
| 32 bpp, RGBa 8888 | 0x8080 |

- 15 bpp and 16 bpp modes are identical draw modes, but different DAC modes must be set (use BIOS services for mode switching so the application does not have to handle it). 15 bpp mode is always RGB 555, and 16 bpp mode is always RGB 565.
- Although pixel depths for source area, destination area, and host may be set independently, the only pixel depth conversion available is 1 bpp to any pixel depth monochrome expansion. Behavior is undefined for any other mixing and matching of pixel depths.

6.3 Draw Operations

This section provides specific examples of how to set up the *mach64* engine for various trajectories. Section 6.2.1 demonstrates how to set up the destination trajectory and initiate the draw operation. Section 6.2.2 demonstrates how to set up the four basic types of source trajectory. The remaining two sections show various useful draw operations.

6.3.1 Color Source

The solid color source is the simplest form of source data. The color for drawing the line or rectangle comes from DP_FRGD_CLR alone. This is done by setting the mono source to always '1'. The destination trajectory registers must also be set.

6.3.1.1 Drawing Lines

Line draws are performed using an 18-bit Bresenham line draw engine.

To draw a line:

1. Set up the draw context with either a context load or many register writes.
2. Determine the direction octant so that the line trajectory will be drawn and set the DST_X_DIR, DST_Y_DIR and DST_Y_MAJOR bits accordingly. Also set the LAST_PEL_ON bit as desired (this bit only determines whether the last pixel in the line is drawn; it has no effect on the actual DST_X, DST_Y trajectory).

From the start and endpoints of the line, calculate all the Bresenham parameters and write them out to the registers.

$$\text{DST_BRES_ERR} = 2 * \min(|dx|, |dy|) - \max(|dx|, |dy|)$$

$$\text{DST_BRES_INC} = 2 * \min(|dx|, |dy|)$$

$$\text{DST_BRES_DEC} = 2 * [\min(|dx|, |dy|) - \max(|dx|, |dy|)]$$

3. Write out the desired number of pixels drawn to DST_BRES_LNTH.

Line drawing is not supported in packed 24 bpp modes.

Example Code for Drawing Lines (normal or polygon outline)

```
//
-----
// DrawLine - draw a line from (x1, y1) to (x2, y2)
//
// The drawing of the last pixel in the line is determined by
// the current setting of the DST_CNTL register (LAST_PEL bit).
// The engine does not support lines in 24 bpp modes.

void DrawLine (short x1, short y1, short x2, short y2)
{
    short dx, dy;
    long minDelta, maxDelta;
    short x_dir, y_dir, y_major;

    dx = abs(x2 - x1);
    dy = abs(y2 - y1);
    minDelta = __min(dx, dy);
    maxDelta = __max(dx, dy);
}
```

```
// Determine the octant.
if (x1 < x2) x_dir = 1;
else x_dir = 0;
if (y1 < y2) y_dir = 0x0802; // use top/bottom for Bresenham
                               // zero sign convention

else y_dir = 0;
if (dx < dy) y_major = 4;
else y_major = 0;

// Assume that the context registers have already been set up
// somewhere else.
// Set the line trajectory registers and initiate.
WaitForFifo(6);
// The register read of DST_CNTL is not FIFOed, so the application
// must guarantee that there isn't a DST_CNTL somewhere in the
// write FIFO.
// If the application cannot guarantee this, then the
// application must provide a known value for DST_CNTL or
// insert a WaitForIdle( ) here (a wait_for_idle will slow
// overall performance).
WaitForIdle();
regw(DST_CNTL, (regr(DST_CNTL) & ~0x7) |
            (ULONG)(y_major | y_dir | x_dir));
regw(DST_Y_X, ((ULONG)x1 << 16) | y1);
regw(DST_BRES_ERR, 2 * minDelta - maxDelta);
regw(DST_BRES_INC, 2 * minDelta);
regw(DST_BRES_DEC, 2 * (minDelta - maxDelta));
regw(DST_BRES_LNTH, maxDelta + 1);
}
```

6.3.1.2 Drawing Rectangles

Drawing rectangles is one of the simplest of the *mach64* operations. It is also quite versatile. Below is a sample routine to draw a rectangle. You will notice that the source is not specified in the routine itself. This allows the routine to be used for solid rectangles or pattern filled rectangles. The source registers to draw a solid rectangle is given here in the main routine. Note that 24bpp is not supported in this example, but is in the SDK sample code.

Example Code for Drawing Solid Rectangles

```
//main rectangle draw
//assume engine is initialized and mode is already set
int rcolor;      //color of rectangle
int rx;         //top left x coordinate of rectangle
int ry;         //top left y coordinate of rectangle
int rwidth;     //width of rectangle
int rheight;    //height of rectangle

WaitForFifo(2);
regw(DP_FRGD_CLR, get_color_code(rcolor));
regw(DP_SRC, BKGD_SRC_BKGD_CLR | FRGD_SRC_FRGD_CLR |
      MONO_SRC_ONE);
draw_rect(rx, ry, rwidth, rheight);
//end of main code

void draw_rect (int x, int y, int width, int height)
{
    WaitForFifo (4);

    // perform rectangle fill
    regw (DST_X, (unsigned long) x);
    regw (DST_Y, (unsigned long) y);
    regw (DST_HEIGHT, (unsigned long) height);
    regw (DST_WIDTH, (unsigned long) width);
}

```

Two more examples demonstrate drawing a rectangle filled with solid color data and with data provided through the HOST_DATA registers.

Example Code for Initiating a Solid Rectangle Fill

```
// Setup the draw engine context manually.
WaitForFifo(12);
regw(DP_FRGD_CLR, 0xFFFFFFFF); // white
regw(DP_WRITE_MASK, 0xFFFFFFFF); // enable all planes
regw(DP_PIX_WIDTH, 0x00020202); // 8 bpp
// Note: Background mix should be set to leave_alone when not
// being used (mono source is always '1') because this is one
// of the conditions for block write to be enabled.
// If the memory supports block write, the rectangle fill will
// draw much faster.
regw(DP_MIX, 0x00070003); // frgd:paint, bkgd:leave_alone
regw(DP_SRC, 0x00000100); // mono:always '1',
// frgd:DP_FRGD_CLR
regw(CLR_CMP_CNTL, 0x00000000); // disable
regw(GUI_TRAJ_CNTL, 0x00000003); // left-to-right,
top-to-bottom
regw(SC_LEFT_RIGHT, 0x03FF0000); // 0 to 1023
regw(SC_TOP_BOTTOM, 0x03FF0000); // 0 to 1023

// Setup the draw trajectory and initiate (write DST_OFF_PITCH
// first).
regw(DST_OFF_PITCH, ((ULONG)pitch << 22) | offset);
regw(DST_Y_X, ((ULONG)x << 16) | y);
regw(DST_HEIGHT_WIDTH, ((ULONG)width << 16) | height);
```

Example Code for Initiating a Rectangle Filled with Host Data

```
// Setup the draw engine context manually.
WaiForFifo(12);
regw(DP_FRGD_CLR, 0xFFFFFFFF); // white
regw(DP_WRITE_MASK, 0xFFFFFFFF); // enable all planes
regw(DP_PIX_WIDTH, 0x00020202); // 8 bpp
// If the foreground mix for a color host operation is set to
// paint (7), you might as well use the aperture because it
// would be faster.
// It is only worthwhile to use host operations when the ALU
// function is not trivial, or for monochrome host operations.
regw(DP_MIX, 0x00050003); // frgd:xor, bkgd:leave_alone
regw(DP_SRC, 0x00000200); // mono:always '1',
```

```

// frgd:color_host
regw(CLR_CMP_CNTL, 0x00000000); // disable
regw(GUI_TRAJ_CNTL, 0x00000003); // left-to-right,
top-to-bottom
regw(SC_LEFT_RIGHT, 0x03FF0000); // 0 to 1023
regw(SC_TOP_BOTTOM, 0x03FF0000); // 0 to 1023

// Setup the draw trajectory and initiate (write DST_OFF_PITCH
// first).
regw(DST_OFF_PITCH, ((ULONG)pitch << 22) | offset);
regw(DST_Y_X, ((ULONG)x << 16) | y);
regw(DST_HEIGHT_WIDTH, ((ULONG)width << 16) | height);

// Calculate the amount of data to output.
numberOfPixels = (ULONG)width * height;
numberOfDwords = numberOfPixels / pixelsPerDword;
if ((numberOfPixels % pixelsPerDword)!=0) numberOfDwords++;

// Output host data.
for (i=0; i<numberOfDwords*pixelsPerDword; i+=pixelsPerDword) {
    // This inner loop can be optimized to burst in data 16 DWORDS
    // at a time. Only one DWORD is written at a time for
    // simplicity. When bursting in data, first wait for 16
    // free FIFO entries, then use REP MOVSD to HOST_DATA0
    // through HOST_DATA16
    WaitForFifo(1);

    // Output 4 pixels of 8 bpp (byte) data in left-to-right
    // order.
    regw(HOST_DATA0, pixel[i] | ((ULONG)pixel[i+1] << 8)
        | ((ULONG)pixel[i+2] << 16)
        | ((ULONG)pixel[i+3] << 24));
}

// If too much data is written, the extra data will be ignored.
// If not enough data is written, then the next write to a FIFOed
// register other than a HOST_DATA register will cause the
draw
// engine to panic, i.e. the rectangle fill will complete with
// a garbage color.

```

It is left as an exercise for the programmer to fill a rectangle with monochrome host data (set DP_MONO_SRC@DP_SRC to “host data” and set DP_FRGD_SRC@DP_SRC and DP_BKGD_SRC@DP_SRC to any two valid color sources except for “host data”, i.e. not color_host).

6.3.2 Standard BitBlit Source

A bitblt is a **rectangle fill** that specifically uses a color blit source. There are four types of blit source trajectory, as described in Section 6.2.3: *Trajectories*. Note that the source trajectory direction always tracks the destination trajectory direction. Blit sources are always source-aligned.

6.3.2.3 Simple 1 to 1

The DP_SRC register specifies the simple 1-1 bitblit. It is also important to set the SRC_CNTL to unbounded y (simple 1-1 bitblit).

Example Code for Initiating a Simple Blit (Unbounded Y)

```
// Use an unbounded Y source trajectory to do a rectangular blit.

// Set up the context manually.
WaitForFifo(7);
regw(SC_LEFT_RIGHT, 0x03FF0000); // 0 to >= xres
regw(SC_TOP_BOTTOM, 0x03FF0000); // 0 to >= yres
regw(DP_WRITE_MASK, 0xFFFFFFFF); // enable all bit planes
regw(DP_PIX_WIDTH, 0x00020202); // 8 bpp (depends on mode)
regw(DP_MIX, 0x00070003); // frgd:paint,
                        // bkgd:leave_alone
regw(DP_SRC, 0x00000300); // mono:always_'1', frgd:blit
regw(CLR_CMP_CNTL, 0x00000000); // disable
// Set up the source trajectory (remember to write SRC_OFF_PITCH
// and SRC_CNTL first).
WaitForFifo(8);
regw(SRC_OFF_PITCH, 0x20000000); // pitch:1024(depends on
                        // mode),offset:0
regw(SRC_CNTL, 0x00000000); // unbounded Y
regw(SRC_Y_X, (srcX << 16) | srcY);
regw(SRC_WIDTH1, srcWidth);

// Set up the destination trajectory and initiate blit (write
// DST_OFF_PITCH first).
regw(DST_OFF_PITCH, 0x20000000); // pitch:1024(depends on
mode),
                        // offset:0
regw(DST_CNTL, 0x00000003); // left-to-right, top-to-bottom
regw(DST_Y_X, (dstX << 16) | dstY);
regw(DST_HEIGHT_WIDTH, (dstWidth << 16) | dstHeight);
```

6.3.2.4 General Pattern

Using General Pattern source implies that the source and destination are different sizes. SRC_CNTL is now set to general pattern.

Example Code for Initiating a Rectangle Filled with a General 2D Pattern

```
// Use a general pattern source trajectory to fill a rectangle
// with an area pattern.
// The source area should be smaller than the destination area for
// a visible effect.

// Set up the context manually.
WaitForFifo(7);
regw(SC_LEFT_RIGHT, 0x03FF0000); // 0 to >= xres
regw(SC_TOP_BOTTOM, 0x03FF0000); // 0 to >= yes
regw(DP_WRITE_MASK, 0xFFFFFFFF); // enable all bit planes
regw(DP_PIX_WIDTH, 0x00020202); // 8 bpp (depends on mode)
regw(DP_MIX, 0x00070003); // frgd:paint, bkgd:leave_alone
regw(DP_SRC, 0x00000300); // mono:always_'1', frgd:blit
regw(CLR_CMP_CNTL, 0x00000000); // disable

// Set up the source trajectory (remember to write SRC_OFF_PITCH
// and SRC_CNTL first).
WaitForFifo(8);
regw(SRC_OFF_PITCH, 0x20000000); // pitch:1024(depends on
mode),
// offset:0
regw(SRC_CNTL, 0x00000001); // general pattern
regw(SRC_Y_X, ((ULONG)srcX << 16) | srcY);
regw(SRC_HEIGHT1_WIDTH1, ((ULONG)srcWidth << 16) | srcHeight);

// Set up the destination trajectory and initiate blit (write
// DST_OFF_PITCH first).
regw(DST_OFF_PITCH, 0x20000000); // pitch:1024(depends on
mode),
// offset:0
regw(DST_CNTL, 0x00000003); // left-to-right, top-to-bottom
regw(DST_Y_X, ((ULONG)dstX << 16) | dstY);
regw(DST_HEIGHT_WIDTH, ((ULONG)dstWidth << 16) | dstHeight);
```


6.3.2.5 General Pattern With Rotation

General pattern with rotation is similar to general pattern, but allows for pattern alignment. This requires a few extra registers to be set.

Example Code for Initiating a Rectangle Filled with a Rotated 2D Pattern

```
// Use a general pattern source trajectory to fill a rectangle
// with a rotated area pattern.
// The source area should be smaller than the destination area for
// a visible effect.

// Set up the context manually.
WaitForFifo(7);
regw(SC_LEFT_RIGHT, 0x03FF0000); // 0 to >= xres
regw(SC_TOP_BOTTOM, 0x03FF0000); // 0 to >= yres
regw(DP_WRITE_MASK, 0xFFFFFFFF); // enable all bit planes
regw(DP_PIX_WIDTH, 0x00020202); // 8 bpp (depends on mode)
regw(DP_MIX, 0x00070003); // frgd:paint, bkgd:leave_alone
regw(DP_SRC, 0x00000300); // mono:always_'1', frgd:blit
regw(CLR_CMP_CNTL, 0x00000000); // disable

// Set up the source trajectory (remember to write SRC_OFF_PITCH
// and SRC_CNTL first).
// srcXStart and srcYStart denote the top left corner of the
// pattern
// srcX and srcY offset into that pattern
// srcWidth2 and srcHeight2 specify the pattern size
// srcWidth1 and scrHeight1 specify the size of the rectangle
// bound
// by srcX,
// srcY, and the bottom right corner of the pattern
WaitForFifo(10);
regw(SRC_OFF_PITCH, 0x20000000); // pitch:1024(depends on
mode),
// offset:0
regw(SRC_CNTL, 0x00000003); // general pattern with rotation
regw(SRC_Y_X_START, ((ULONG)srcXStart << 16) | srcYStart);
regw(SRC_HEIGHT2_WIDTH2, ((ULONG)srcWidth << 16) | srcHeight);
regw(SRC_Y_X, ((ULONG)srcX << 16) | srcY);
regw(SRC_HEIGHT1_WIDTH1, ((ULONG)(srcXStart+srcWidth-srcX) <<
16) | (srcYStart+srcHeight-srcY));
```

```
// Set up the destination trajectory and initiate blit (write
// DST_OFF_PITCH first).
regw(DST_OFF_PITCH, 0x20000000); // pitch:1024(depends on
mode),
// offset:0
regw(DST_CNTL, 0x00000003); // left-to-right, top-to-bottom
regw(DST_Y_X, ((ULONG)dstX << 16) | dstY);
regw(DST_HEIGHT_WIDTH, ((ULONG)dstWidth << 16) | dstHeight);
```

6.3.2.6 Strictly Linear

A very simple source is the strictly linear source. The following code is very straightforward.

Example Code for Initiating a Blit with a Linear Source

```
// Use a linear source trajectory to fill a rectangle.
// The source area would usually be packed in an offscreen
// memory area.

// Set up the context manually.
WaitForFifo(7);
regw(SC_LEFT_RIGHT, 0x03FF0000); // 0 to >= xres
regw(SC_TOP_BOTTOM, 0x03FF0000); // 0 to >= yres
regw(DP_WRITE_MASK, 0xFFFFFFFF); // enable all bit planes
regw(DP_PIX_WIDTH, 0x00020202); // 8 bpp (depends on mode)
regw(DP_MIX, 0x00070003); // frgd:paint, bkgd:leave_alone
regw(DP_SRC, 0x00000300); // mono:always_'1', frgd:blit
regw(CLR_CMP_CNTL, 0x00000000); // disable

// Set up the source trajectory (remember to set SRC_WIDTH1 to
// a non-zero value).
WaitForFifo(7);
regw(SRC_OFF_PITCH, 0x20000000 | offset); //
pitch:1024(depends
// on mode)
regw(SRC_CNTL, 0x00000004); // linear

// Set up the destination trajectory and initiate blit (write
// DST_OFF_PITCH first).
regw(DST_OFF_PITCH, 0x20000000); // pitch:1024(depends on
mode),
// offset:0
```

```

regw(DST_CNTL, 0x00000003); // left-to-right, top-to-bottom
regw(DST_Y_X, ((ULONG)dstX << 16) | dstY);
regw(DST_HEIGHT_WIDTH, ((ULONG)dstWidth << 16) | dstHeight);

```

6.3.3 Specialized BitBlt Source

The following examples show various examples of bitblt source while exercising the various capabilities of the color expansion circuitry in the *mach64* engine.

6.3.3.1 Monochrome Expansion

Monochrome expansions are especially useful for font caching. Monochrome expansion bitblits are very efficient in terms of storing the source information. Not only is the information packed into a linear segment of memory, but each on-screen pixel only uses one bit to store its information.

Example Code for Initiating a Monochrome Expansion Blit

```

// Assume that there is monochrome data (eg text) stored linearly
// in off-screen memory. The data is to be expanded to a
// foreground
// color, the background is to be transparent.

// Set up the context manually.
WaitForFifo(8);
regw(SC_LEFT_RIGHT, 0x03FF0000); // 0 to 1023
regw(SC_TOP_BOTTOM, 0x03FF0000); // 0 to 1023
regw(DP_WRITE_MASK, 0xFFFFFFFF); // enable all bit planes
regw(DP_FRGD_CLR, 0xFFFFFFFF); // white
regw(DP_PIX_WIDTH, 0x00020002); // SRC:1 bpp,
// DST:8bpp(depends on mode)
regw(DP_MIX, 0x00070003); // frgd:paint, bkgd:leave_alone
regw(DP_SRC, 0x00030100); // mono:blit,
// frgd:DP_FRGD_CLR
regw(CLR_CMP_CNTL, 0x00000000); // disable

// Set up the source trajectory (remember to set SRC_WIDTH1 to
// a non-zero value).
WaitForFifo(7);
regw(SRC_OFF_PITCH, 0x20000000 | offScreenOffset); //
pitch:1024
regw(SRC_CNTL, 0x00000004); // linear

```

```
// Set up the destination trajectory and initiate blit.
regw(DST_OFF_PITCH, 0x20000000); // pitch:1024(depends on
mode),
                                // offset:0
regw(DST_CNTL, 0x00000003); // left-to-right, top-to-bottom
regw(DST_Y_X, ((ULONG)dstX << 16) | dstY);
regw(DST_HEIGHT_WIDTH, ((ULONG)dstWidth << 16) | dstHeight);
```

6.3.3.2 General Pattern Lines

When the destination trajectory is a line, the source trajectory behaves in almost the same fashion as for a rectangular destination trajectory. The only differences are:

- The source trajectory never advances in the Y direction (the source height is implicitly equal to one).
- The source trajectory X direction is independent of the destination X direction, and can be set by the SRC_LINE_X_DIR@SRC_CNTL.

Example Code for Drawing Lines With a General Pattern

```
// Use a general pattern source to do a line pattern. Note that
// the source does not advance in the Y direction when the
// destination is a line.

// Set up the context manually.
WaitForFifo(7);
regw(SC_LEFT_RIGHT, 0x03FF0000); // 0 to >= xres
regw(SC_TOP_BOTTOM, 0x03FF0000); // 0 to >= yres
regw(DP_WRITE_MASK, 0xFFFFFFFF); // enable all bit planes
regw(DP_PIX_WIDTH, 0x00020202); // 8 bpp (depends on mode)
regw(DP_MIX, 0x00070003); // frgd:paint, bkgd:leave_alone
regw(DP_SRC, 0x00000300); // mono:always_'1', frgd:blit
regw(CLR_CMP_CNTL, 0x00000000); // disable

// Set up the source trajectory (remember to write SRC_OFF_PITCH
// and SRC_CNTL first).
WaitForFifo(11);
regw(SRC_OFF_PITCH, 0x20000000 | offset); //pitch:1024(depends
// on mode)
regw(SRC_CNTL, 0x00000001); // general pattern
regw(SRC_Y_X, ((ULONG)srcX << 16) | srcY);
regw(SRC_HEIGHT1_WIDTH1, ((ULONG)pattLength << 16) | 1);
```

```

// Draw the line.
regw(DST_OFF_PITCH, 0x20000000); // pitch:1024(depends on
                                // mode), offset:0
regw(DST_CNTL, octant | lineOptions);
regw(DST_Y_X, ((ULONG)dstX << 16) | dstY);
regw(DST_BRES_ERR, dstBresErr);
regw(DST_BRES_INC, dstBresInc);
regw(DST_BRES_DEC, dstBresDec);
regw(DST_BRES_LNTH, lineLength);

```

6.3.3.3 Transparent BitBlts

A transparent blit is simply a blit where a designated color (background color) from the source is inhibited from being drawn to the destination. This kind of blit is useful for copying odd-shaped objects onto a bitmapped background (games, for example). A simple blit with source compare enabled will do a transparent blit.

Example Code for a Transparent Blit

```

// Use a linear source trajectory with a transparent color to fill
// a rectangle.
// The source area would usually be packed in an offscreen memory
// area.

// Set up the context manually.
WaitForFifo(9);
regw(SC_LEFT_RIGHT, 0x03FF0000); // 0 to >= xres
regw(SC_TOP_BOTTOM, 0x03FF0000); // 0 to >= yres
regw(DP_WRITE_MASK, 0xFFFFFFFF); // enable all bit planes
regw(DP_PIX_WIDTH, 0x00020202); // 8 bpp(depends on mode)
regw(DP_MIX, 0x00070003); // frgd:paint, bkgd:leave_alone
regw(DP_SRC, 0x00000300); // mono:always_'1', frgd:blit
regw(CLR_CMP_CNTL, 0x01000005); // source compare, equality
regw(CLR_CMP_MASK, 0xFFFFFFFF); // enable all planes for
                                // comparison
regw(CLR_CMP_CLR, transparentColor); // color to be transparent

// Set up the source trajectory (remember to set SRC_WIDTH1 to a
// non-zero value).
WaitForFifo(7);

```

```
regw(SRC_OFF_PITCH, 0x20000000 | offset); //pitch:1024(depends
                                     // on mode)
regw(SRC_CNTL, 0x00000004);          // linear

// Set up the destination trajectory and initiate the blit.
regw(DST_OFF_PITCH, 0x20000000); // pitch:1024(depends on
mode),
                                     // offset:0
regw(DST_CNTL, 0x00000003); // left-to-right, top-to-bottom
regw(DST_Y_X, ((ULONG)dstX << 16) | dstY);
regw(DST_HEIGHT_WIDTH, ((ULONG)dstWidth << 16) | dstHeight);
```

6.3.4 Pattern Source

Pattern sources derive their pixel data from the contents of the pattern registers PAT_REG0 and PAT_REG1.

6.3.4.1 Fixed Patterns

Three types of fixed pattern are available:

- 4x2 color pattern.
- 8x1 color pattern.
- 8x8 monochrome pattern.

The fixed color patterns are only supported in 8 bpp mode. Fixed patterns are always destination-aligned. See Section 6.2.2 for a depiction of pattern consumption. The destination draw trajectories in the following code can be replaced by the draw rectangle routine or line draw routine in Section 6.3.1. The important registers to set are the PAT_CNTL (in union with GUI_TRAJ_CNTL) and PAT_REGS.

Example Code for Rectangle Fills Using Fixed Patterns

```
// 8x8 mono pattern

// Setup the draw engine context manually.
WaitForFifo(12);
regw(DP_FRGD_CLR, 0xFFFFFFFF); // white
regw(DP_BKGD_CLR, 0x00000000); // black
regw(DP_WRITE_MASK, 0xFFFFFFFF); // enable all planes
regw(DP_PIX_WIDTH, 0x00020202); // 8 bpp(depends on mode)
regw(DP_MIX, 0x00070007); // frgd:paint, bkgd:paint
```

```

regw(DP_SRC, 0x00010100); // mono:pattern,
                        // frgd:DP_FRGD_CLR,
                        // bkgd:DP_BKGD_CLR
regw(PAT_REG0, patternData0); // pattern data
regw(PAT_REG1, patternData1); // pattern data
regw(CLR_CMP_CNTL, 0x00000000); // disable
regw(GUI_TRAJ_CNTL, 0x01000003); // enable 8x8 mono patterns
                        // left-to-right, top-to-bottom
regw(SC_LEFT_RIGHT, 0x03FF0000); // 0 to >= xres
regw(SC_TOP_BOTTOM, 0x03FF0000); // 0 to >= yres

// Setup the draw trajectory and initiate.
WaitForFifo(3);
regw(DST_OFF_PITCH, ((ULONG)pitch << 22) | offset);
regw(DST_Y_X, ((ULONG)x << 16) | y);
regw(DST_HEIGHT_WIDTH, ((ULONG)width << 16) | height);

// 4x2 color pattern

// Setup the draw engine context manually.
WaitForFifo(13);
regw(DP_WRITE_MASK, 0xFFFFFFFF); // enable all planes
regw(DP_PIX_WIDTH, 0x00020202); // 8 bpp(depends on mode)
regw(DP_MIX, 0x00070003); // frgd:paint, bkgd:leave_alone
regw(DP_SRC, 0x00000400); // mono:always_'1', frgd:pattern
regw(PAT_REG0, patternData0); // pattern data
regw(PAT_REG1, patternData1); // pattern data
regw(CLR_CMP_CNTL, 0x00000000); // disable
regw(GUI_TRAJ_CNTL, 0x02000003); // enable 4x2 color patterns
                        // left-to-right, top-to-bottom
regw(SC_LEFT_RIGHT, 0x03FF0000); // 0 to >= xres
regw(SC_TOP_BOTTOM, 0x03FF0000); // 0 to >= yres

// Setup the draw trajectory and initiate.
regw(DST_OFF_PITCH, ((ULONG)pitch << 22) | offset);
regw(DST_Y_X, ((ULONG)x << 16) | y);
regw(DST_HEIGHT_WIDTH, ((ULONG)width << 16) | height);

```

The 8x1 color pattern is left as an exercise for the programmer.

6.4 Miscellaneous Operations

6.4.1 Drawing In Packed 24 Bit Per Pixel Mode

There is no 24-bit packed draw engine mode, but there is a 24-bit packed display mode. Drawing in this mode is accomplished by setting the engine in 8 bit per pixel mode and manipulating the DST_24_ROT and DST_24_ROT_EN bits. The following rules must be followed for drawing in this mode:

- Source and destination pitches must be set to three times the display pitch.
- All X coordinates and widths must be specified at three times the normal value. Remember that left-to-right operations begin on an R value, and right-to-left operations begin on a B value. That means that for left-to-right operations, the initial DST_X is expressed as $(X * 3)$ and for right-to-left DST_X is $(X * 3 + 2)$.
- Before any draw operation is initiated, the DST_24_ROT_EN@DST_CNTL must be enabled, and DST_24_ROT@DST_CNTL must be set to $((DST_X / 4) \bmod 6)$, where DST_X is the starting DST_X value as described above.

| | | | | | | | | | | | | | | | | | | | | | | | | | | | | | | | |
|-------------------------|---|---|---|---|---|---|---|---|---|----|----|----|----|----|----|----|----|------|----|----|------|----|----|----|----|----|------|------|---|---|------|
| DST_X (8 bpp) | | | | | | | | | | | | | | | | | | | | | | | | | | | | | | | |
| 0 | 1 | 2 | 3 | 4 | 5 | 6 | 7 | 8 | 9 | 10 | 11 | 12 | 13 | 14 | 15 | 16 | 17 | 18 | 19 | 20 | 21 | 22 | 23 | 24 | 25 | 26 | 27 | | | | |
| X (24 bpp) | | | | | | | | | | | | | | | | | | | | | | | | | | | | | | | |
| 0 | | | 1 | | | 2 | | | 3 | | | 4 | | | 5 | | | 6 | | | 7 | | | 8 | | | | | | | |
| DWORD | | | | | | | | | | | | | | | | | | | | | | | | | | | | | | | |
| 0 | | | 1 | | | 2 | | | 3 | | | 4 | | | 5 | | | 6 | | | | | | | | | | | | | |
| DST_24_ROT Value | | | | | | | | | | | | | | | | | | | | | | | | | | | | | | | |
| 0 | 0 | 0 | 1 | 1 | 2 | 2 | 2 | 3 | 3 | 3 | 4 | 4 | 5 | 5 | 5 | 0 | 0 | | | | | | | | | | | | | | |
| COLOR COMPONENTS | | | | | | | | | | | | | | | | | | | | | | | | | | | | | | | |
| R | G | B | R | G | B | R | G | B | R | G | B | R | G | B | R | G | B | R | G | B | R | G | B | R | G | B | R | G | B | R | |

In the above table:

- **X** is the desired X coordinate in packed 24 bpp mode.
- **DST_X** is the value that you actually write to the draw engine (remember to start on an R component on left-to-right operations, and on a B component for right-to-left operations).
- The **DWORD** and **color components** rows show how memory is actually laid out in relation to pixel data.
- The **DST_24_ROT** row shows the value to place in the DST_24_ROT@DST_CNTL field before initiating a draw operation. Use the leftmost DST_24_ROT number in the

column for left-to-right operations, and the rightmost number for right-to-left operations.

- The **DST_24_ROT** value is simply the (DWORD-value-of-the-starting-byte mod 6).

Notes:

- The **rotation enable bit** only affects DP_FRGD_CLR, DP_BKGD_CLR, DP_WRITE_MASK, and fixed 8x8 mono patterns. Colors and masks are rotated appropriately, keying on the DST_24_ROT value.
- The line draw engine does not function in 24 bpp packed mode.
- Any other monochrome source other than fixed 8x8 monochrome patterns are only supported if the application sets up that monochrome source such that each bit in the monochrome source is expanded to 3 bits (one for each of R, G, and B).
- Polygons are only supported if the host manually draws the polygon boundary lines, only drawing one *pixel component* (the leftmost one -- R) per scan line, as opposed to one pixel per scan line.

Example Code for Drawing a Solid Rectangle in Packed 24 Bit Mode

```
// This procedure will fill a packed 24 bpp rectangle with a
// 24 bit color.
```

```
VIOD FillRect24(x, y, width, height, color)
    short x,y;
    USHORT width, height;
    ULONG color;
{
    USHORT rotation;

    // Setup the draw engine context manually.
    WaitForFifo(12);
    regw(DP_FRGD_CLR, color); // set rectangle color
    regw(DP_WRITE_MASK, 0x00FFFFFF); // enable all planes
    regw(DP_PIX_WIDTH, 0x00020202); // must be set to 8 bpp
    regw(DP_MIX, 0x00070003); // frgd:paint,
                            // bkgd:leave_alone
    regw(DP_SRC, 0x00000100); // mono:always_'1',
                            // frgd:DP_FRGD_CLR
    regw(CLR_CMP_CNTL, 0x00000000); // disable
    regw(SC_LEFT_RIGHT, 0x0BFF0000); // 0 to (1024 * 3 - 1)
    regw(SC_TOP_BOTTOM, 0x0BFF0000); // 0 to (1024 * 3 - 1)
```

```
    // Calculate the initial rotation factor (this is for
left-to-right;
    // to do right-to-left, calculate ((x * 3 + 2) / 4) % 6)).
rotation = ((x * 3) / 4) % 6;

    // Setup the draw trajectory and initiate.
    regw(DST_CNTL, 0x00000083 | (rotation << 8)); //
left-to-right
                                // top-to-bottom
                                // rotation enabled
    regw(DST_OFF_PITCH, (((ULONG)pitch * 3) << 22) | offset);
    regw(DST_Y_X, (((ULONG)x * 3) << 16) | y);
    regw(DST_HEIGHT_WIDTH, (((ULONG)width * 3) << 16) | height);
}
```

6.4.2 Scissoring and Masking

Drawing may be inhibited outside a rectangular region by setting the scissor registers — SC_LEFT, SC_RIGHT, SC_TOP, and SC_BOTTOM. Scissors are inclusive on all edges. Therefore, to include the whole screen, left and top scissors should be set to 0, and right and bottom scissors should be set to (xres - 1) and (yres - 1) respectively. Note that a scissored draw operation draws at the same speed as an unscissored one. Drawing behavior is undefined for any objects drawn outside the device coordinate space, whether they are scissored or not. The device coordinate space is -4096 to +4095 in the X direction, and -16384 to +16383 in the Y direction.

Bits within a particular pixel may be selectively inhibited by setting the DP_WRITE_MASK register. This function can be useful for manipulating (or leaving alone) a pixel alpha channel.

6.4.3 Hardware Cursor

The *mach64* hardware cursor is similar in function to the *mach32* hardware cursor. Each cursor pixel is defined by a 2-bit field with the definition below:

| Pixel Value | Meaning |
|-------------|--|
| 00 | Cursor color 0 |
| 01 | Cursor color 1 |
| 10 | Transparent |
| 11 | Complement - Note that in pseudocolor modes, some <i>mach64</i> board implementations will complement the index and others will complement the LUT lookup value. |

Note that if the DAC supports a hardware cursor, it is preferable to use the DAC's cursor. Consult the manufacturer's DAC specification for programming information.

Cursor pitch is always 64 pixels. That is, each scan line of the hardware cursor definition is defined with 64×2 bits (16 bytes) of data, regardless of the actual cursor width. The pixel definition is specified in Intel order. The first pixel is defined in the low-order 2 bits of the low-order byte in memory. Each cursor scan line definition resides back-to-back in memory.

Cursor colors are defined by CUR_CLR0 and CUR_CLR1. Note that for *pseudo color modes*, the colors are specified in color indices, and for *direct color modes*, the colors are specified in 24-bit true color. The meaning of other registers is illustrated below:

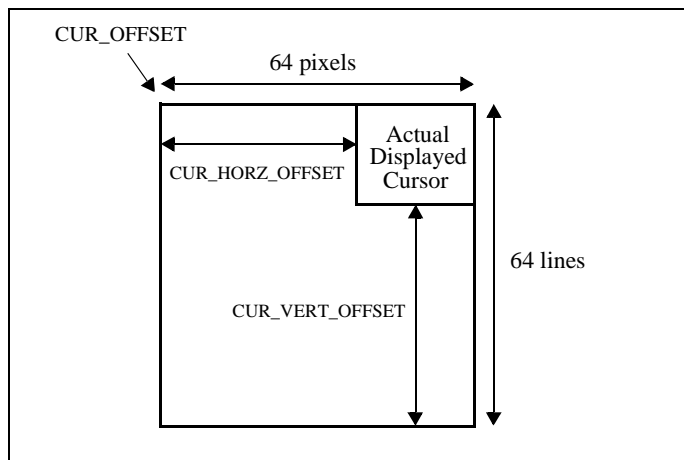


Figure 6-2. Hardware cursor position

The screen position of the top left corner of the displayed cursor is specified by CUR_HORZ_VERT_POSN. Care must be taken when the cursor hot spot is not the top left corner and the physical cursor position becomes negative. The *mach64* will not display the cursor at all if either the horizontal or vertical cursor position is negative.

- **If X becomes negative**, the cursor manager must adjust the CUR_HORZ_OFFSET to a larger number and saturate CUR_HORZ_POSN to zero.
- **If Y becomes negative**, CUR_VERT_OFFSET must be adjusted to a larger number, CUR_OFFSET must be adjusted to point to the appropriate line in the cursor definition, and CUR_VERT_POSN must be saturated to zero.

Example Code for Enabling, Disabling and Moving the Hardware Cursor

```
//
-----
// EnableHWCursor - turn on the hardware cursor
VOID EnableHWCursor(VOID)
{
    iow16(GEN_TEST_CNTL, GEN_TEST_CNTL_0,
          ior16(GEN_TEST_CNTL, GEN_TEST_CNTL_0) | 0x80);
}
// -----
// DisableHWCursor - turn off the hardware cursor
VOID DisableHWCursor(VOID)
{
    iow16(GEN_TEST_CNTL, GET_TEST_CNTL_0,
          ior16(GEN_TEST_CNTL, GEN_TEST_CNTL_0) & (~0x80L));
}
//
-----
// SetHWCursorPos - set the hardware cursor position relative to
// hotspot
// It is assumed that the cursor has been previously defined
// linearly in off-screen memory with a pitch of 64 pixels (16
// bytes, or 2 QWORDS).
// CUR_OFFSET = QWORD offset of cursor definition in graphics
// memory
// CUR_HORZ_OFF = 64 - cursorWidth
// CUR_VERT_OFF = 64 - cursorHeight
VOID SetHWCursorPos(short x, short y)
{
    USHORT curHorzOff, curVertOff;
```

```
    ULONG curOffset;
    static BOOL prevViolation=FALSE;
    BOOL violation = FALSE;

    curOffset = cur.offset;

    // Check for coordinate violations.
    if ((x - cur.hotSpot.x) < 0) {
        curHorzOff = 64 - cur.width - (x - cur.hotSpot.x);
        x = 0;
        violation = TRUE;
    } else curHorzOff = 64 - cur.width;
    if ((y - cur.hotSpot.y) < 0) {
        curVertOff = 64 - cur.height - (y - cur.hotSpot.y);
        curOffset = cur.offset + (cur.hotSpot.y - y) * 2;
        y = 0;
        violation = TRUE;
    } else curVertOff = 64 - cur.height;
    if (violation || prevViolation) {
        regw(CUR_OFFSET, curOffset);
        regw(CUR_HORZ_VERT_OFF, ((ULONG)curVertOff << 16) |
            curHorzOff);
    }
    prevViolation = violation;
    // Set the cursor position.
    regw(CUR_HORZ_VERT_POSN, ((ULONG)y << 16) | x);
}
```

This page intentionally left blank.

7.1 Introduction

This chapter contains several advanced topics on using the mach64.

7.2 Polygons

The *mach64* uses an alternate-fill algorithm for polygon filling. Polygon fills are simply rectangle fills with the `DST_POLYGON_EN@DST_CNTL` bit set. At the beginning of each destination scan line, an internal polygon fill flag is reset. Whenever this flag is in a reset state, drawing is inhibited. The polygon boundary source (this source is implicit and is established by using the blit source registers) is consumed, providing polygon boundary data. Whenever a polygon edge is detected, the internal polygon fill flag is toggled. Only rectangular destinations proceeding in a left-to-right and top-to-bottom direction are supported for polygon filling.

Polygon edges are inclusive on both left and right sides when filling. On the *mach64CT*, the right edge may be optionally inclusive or exclusive.

Note that any monochrome or color sources may be selected in the pixel data path except for blit sources (because the blit source registers are used to configure the polygon source trajectory) when polygon filling. Polygon boundary source is only meaningful when configured to 1 bpp pixel depth (set this with `DP_SRC_PIX_WIDTH@DP_PIX_WIDTH`).

Polygon boundaries are created by drawing lines in 1 bpp mode with the `DST_POLYGON_EN@DST_CNTL` bit set. This bit causes a maximum of one pixel per scan line to be drawn (horizontal lines are not drawn at all), and lines exceeding the left scissor boundary are saturated to the left scissor. Note that the pitch for the 1 bpp polygon outlines must be aligned along 64-pixel boundary.

To draw a polygon:

1. Clear the off-screen area where the 1 bpp polygon outlines are to be drawn.
2. Set the mix to XOR (this takes care of the degenerate case where two polygon boundary lines culminate in a vertical peak), enable the `DST_POLYGON_EN` bit, and draw all the polygon outline lines in 1 bpp from top to bottom with `LAST_PEL_OFF`.

3. Set up the blit source registers to point to the polygon outline area.
4. Fill the polygon bounding rectangle.

Example Code for Drawing a General Polygon

```
// Procedure to draw a polygon from a set of vertices. It is
// assumed that the vertices form an open-ended polygon (which
// will be closed by the procedure).

typedef struct tagPOINT {
    short x,y;
} POINT;

typedef struct tagBOX {
    short x, y;
    USHORT width, height;
} BOX;

// This routine will fill a polygon with a solid color. The host
// application may in fact use any mono/color source combination
// except for blit sources.
VOID DrawPolygon(lpPoints, nPoints, color)
    POINT lpPoints[];          // list of vertices
    USHORT nPoints;           // number of vertices
    ULONG color;              // color to fill the polygon with
{
    BOX bound;
    USHORT pitch, i, nextPoint;

    // First get the bounding box of the polygon vertices.
    GetBoundingBox(lpPoints, nPoints, &bound);

    // Calculate 1 bpp pitch.
    pitch = bound.width / 8;
    if ((bound.width % 8)!=0) pitch++; // round up nearest
                                        // multiple of 8
    while ((pitch % 8)!=0) pitch++; // in 1 bpp mode, pitch
                                        // must be a multiple
                                        // of 64 pixels
```



```

// Clear a 1 bpp area of off-screen memory.
WaitForFifo(11);
regw(GUI_TRAJ_CNTL, 0x00000003); // left-to-right,
// top-to-bottom
regw(DP_WRITE_MASK, 0xFFFFFFFF); // enable all planes
regw(DP_PIX_WIDTH, 0x00000000); // 1 bpp
regw(DP_MIX, 0x00010001); // frgd:zero
regw(DP_SRC, 0x00000100); // mono:always_'1',
// frgd:DP_FRGD_CLR
regw(CLR_CMP_CNTL, 0x00000000); // disable
regw(SC_LEFT_RIGHT, ((ULONG)(bound.width-1) << 16));
regw(SC_TOP_BOTTOM, ((ULONG)(bound.height-1) << 16));
regw(DST_OFF_PITCH, ((ULONG)pitch << 22) | offScreenOffset);
regw(DST_Y_X, 0x00000000);
regw(DST_HEIGHT_WIDTH, ((ULONG)bound.width << 16) |
// bound.height);

// Set the context for polygon line drawing.
WaitForFifo(3);
regw(DST_CNTL, 0x00000040); // DST_POLYGON_EN,
// DST_LAST_PEL_OFF
regw(DP_MIX, 0x00050005); // D xor S
regw(DP_FRGD_CLR, 0xFFFFFFFF); // white

// Draw the polygon outlines.
for (i=0; i<(nPoints-1); i++) {
    nextPoint = (i+1) % nPoints;

    // Draw only top to bottom lines.
    if (lpPoints[i].y > lpPoints[nextPoint].y) {
        DrawLine(lpPoints[nextPoint].x - bound.x,
                lpPoints[nextPoint].y - bound.y,
                lpPoints[i].x - bound.x,
                lpPoints[i].y - bound.y);
    } else {
        DrawLine(lpPoints[i].x - bound.x,
                lpPoints[i].y - bound.y,
                lpPoints[nextPoint].x - bound.x,
                lpPoints[nextPoint].y - bound.y);
    }
}

```

```
}

// Set the context for the polygon blit.
WaitForFifo(14);
regw(DST_CNTL, 0x00000043); // DST_POLYGON_EN,
                           // DST_LAST_PEL_OFF
regw(DP_MIX, 0x00070007); // frgd:paint, bkgd:paint
regw(DP_SRC, 0x00000100); // mono:always_'1',
                           // frgd:DP_FRDG_CLR
regw(DP_PIX_WIDTH, 0x00020002); // src:1 bpp, dst:8 bpp
regw(DP_FRGD_CLR, color); // set polygon color
regw(SC_LEFT_RIGHT, ((ULONG)(bound.x+bound.width-1) << 16)
                           | bound.x);
regw(SC_TOP_BOTTOM, ((ULONG)(bound.y+bound.height-1) << 16)
                           | bound.y);

// Set the source trajectory to point to outline area
// (unbounded Y).
regw(SRC_CNTL, 0x00000000);
regw(SRC_OFF_PITCH, ((ULONG)pitch << 22) | offScreenOffset);
regw(SRC_Y_X, 0x00000000);
regw(SRC_WIDTH1, bound.width);

// Blit it.
regw(DST_OFF_PITCH, ((ULONG)dstPitch << 22) | screenOffset);
regw(DST_Y_X, ((ULONG)bound.x << 16) | bound.y);
regw(DST_HEIGHT_WIDTH, ((ULONG)bound.width << 16)
                           | bound.height);
}
```

7.3 Scrolling and Panning

Scrolling and panning of the display area to the limits of the draw area can be simply done by changing the value of `CRTC_OFFSET@CRTC_OFF_PITCH`.

Note that offset has a granularity of 64 bits, which means that horizontal panning will be more “jerky” at lower pixel depths than at higher pixel depths.

Example Code for Calculating `CRTC_OFFSET` from X and Y Coordinates

```
// A display area shows a window to a larger desktop.
// dispOffset is the QWORD offset to the top left corner of the
// desktop pitch*8 is the width of the desktop in pixels
// x,y is the coordinate pair which offsets into the desktop.
// This desktop coordinate pair will be the top left corner of the
// display region.

// Calculate the new CRTC offset from x,y. X must fall on a QWORD
// boundary.
crtcOffset = dispOffset + (y * pitch*8 + x) / pixelsPerQword;
regw(CRTC_OFF_PITCH, ((ULONG)pitch << 22) | crtcOffset);
```

7.4 CRT Synchronization and Animation

For smooth animation, it is necessary to inhibit drawing to areas of the screen that are currently being scanned by the CRT controller. Failure to take necessary precautions will cause flickering or tearing effects on the animated object. Outlined below are several possible strategies that can be used for smooth animation.

7.4.1 Double Buffering (Memory)

Two areas of screen memory are allocated, each big enough for an entire display screen. While one memory area is being displayed, the other is updated, thus avoiding any collision between the CRTC and the draw engine. The system timer or the CRTC vertical line counter can be used to generate interrupts at constant time intervals.

In the interrupt service routine:

1. Wait-for-idle to ensure that the draw engine is not in the middle of drawing.
2. Set `CRTC_OFFSET` to toggle to the memory area to display. The display will not change until the CRTC vertical counter resets to the top of the display area.

3. Wait for the display to change, i.e. wait for the CRTC vertical counter to reset to zero. If a CRTC vertical line count interrupt is used, then this step may be omitted.
4. Signal the mainline application that buffers have toggled.

In the mainline application:

1. Disable interrupts.
2. Draw the new frame into the draw buffer area. The application may use its own strategy to do this, either clearing the draw buffer and drawing from scratch, or updating the frame deltas.
3. Enable interrupts.
4. Wait for a signal from the interrupt service routine that buffers have toggled.

The buffer switching may also be done in the main line application, and using the system timer to switch buffers is optional. The advantage to using the system timer is a constant frame rate.

During application development, the programmer can omit steps 1 and 3 in the mainline to determine whether or not the desired frame rate can be accomplished. If not, flickering will occur.

7.4.2 Double Buffering (Palette)

The palette-driven double buffer is just a specialized case of the double buffer scheme described above. In 8 bpp mode, two memory areas can be allocated and overlaid on top of each other, each 4 bpp deep. The palette must be defined such that the lower four bits and the upper four bits specify the same 16 colors. The same algorithm is used as above, except that DAC_MASK is used to switch the displayed area (instead of CRTC_OFFSET), and DP_WRITE_MASK is used to write to the non-displayed area (instead of DST_OFFSET).

7.4.3 Single Buffering (Synchronized)

Simple animations (small update areas) may be accomplished with a single buffer with no flickering or tearing by refraining from drawing until the CRTC vertical line count is within a certain range. The vertical line count can be polled by reading CRTC_CRNT_VLINE@CRTC_VLINE_CRNT_VLINE or it can be interrupt-driven by setting CRTC_VLINE_INT_EN@CRTC_INT_CNTL and

CRTC_VLINE@CRTC_VLINE_CRNT_VLINE. Once the CRTC is scanning the desired range, the application must attempt to draw all that it must draw before the CRTC scan encroaches upon the draw area.

This method does not use up that much memory, but cannot update large areas of the screen without flicker.

Interrupts from the *mach64* chip are not recommended because ISA systems cannot share interrupts, and commonly run out of IRQ levels. Any program that uses interrupts must have a fall back mechanism for interrupt disabled configurations.

7.4.4 Single Buffering (Delta Framing)

Delta framing is a method of achieving flicker-free animation without CRT synchronization. Only the changes from one frame to the next are drawn on the screen. The animation will be flicker-free because no undrawing is ever done. Tearing will occur, but the effects will be minimal given the draw rate.

1. Calculate the bounding box of a region on the screen that is changing.
2. Construct this region for the next frame in off-screen memory.
3. Blit the region to on-screen.

This method becomes very complex if many (overlapping) regions are changing from one frame to the next.

7.5 Manual Mode Switching And Custom CRT Modes

7.5.1 Manual Mode Switching

Mode switching by manual means is not recommended. If for some reason this cannot be avoided, perform the following:

1. *mach64* subsystems must always be configured with a non-volatile storage system for storing mode and monitor information. The application programmer must detect what kind of non-volatile storage is on board and access it appropriately to retrieve mode information. The most common configuration uses an EEPROM. Consult the manufacturer's EEPROM data sheet. See *Appendix B, EEPROM Map*, for a possible storage mapping of the EEPROM and section 7.8 for information on how to access the EEPROM.

2. Set the accelerator CRTC using the information retrieved in step 1.
3. Detect the type of DAC used by reading the CONFIG_STAT0 register. Additional detection may be required for DACs that are upward compatible with the supported DAC types. Consult the manufacturer's DAC data sheet.
4. Initialize the DAC to the appropriate pixel depth and mode using DAC_CNTL and DAC_REGS. Consult the appropriate manufacturer's DAC data sheet.
5. Switch from VGA mode to accelerator mode by setting the CRTC_EXT_DISP_EN bit in the CRTC_GEN_CNTL register.

Additional material suitable for developers of non-DOS operating system drivers is available from ATI's Developer Relations group. Please call the number on the front of this manual.

7.5.2 Designing A Custom CRT Mode

The following illustration shows how the CRTC and overscan registers correspond to an actual video mode. The actual addressable display area is bounded by H_DISP and V_DISP . All registers are referenced to the upper left corner of the display area.

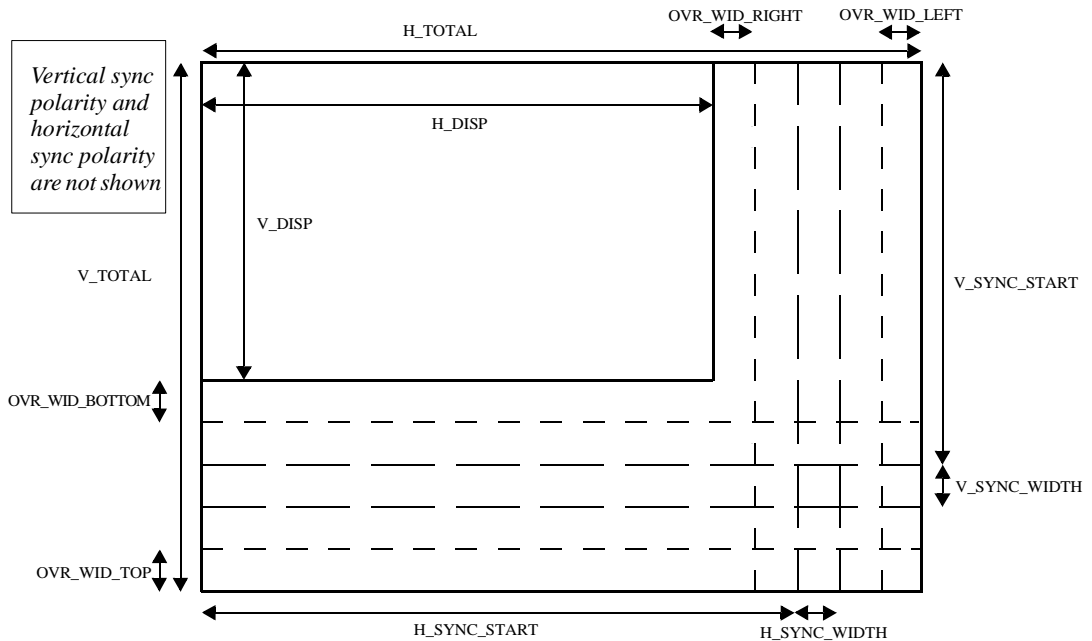


Figure 7-1. Actual video mode

The relationships between CRTC and monitor parameters are listed in the following tables:

| Symbol Definitions | |
|---------------------------|--|
| PCLK | pixel clock rate (Hz) |
| T_{PCLK} | pixel clock period (sec) |
| H_{RES} | horizontal displayed resolution (pixels) |
| H_{SYNC} | horizontal sync rate (Hz) |
| H_{FP} | horizontal front porch (sec) |
| H_{BP} | horizontal back porch (sec) |
| H_{SWID} | horizontal sync width (sec) |
| H_{ACTIVE} | horizontal active time (sec) |
| H_{BLANK} | horizontal blank time (sec) |

| Symbol Definitions (Continued) | |
|--------------------------------|--|
| V_{RES} | vertical displayed resolution (pixels) |
| V_{SYNC} | vertical sync rate (Hz) |
| V_{FP} | vertical front porch (sec) |
| V_{BP} | vertical back porch (sec) |
| V_{SWID} | vertical sync width (sec) |
| V_{ACTIVE} | vertical active time (sec) |
| V_{BLANK} | vertical blank time (sec) |

| Monitor Parameter to CRTC Parameter Conversions | |
|---|---|
| H_DISP | $H_{RES} / 8 - 1$ |
| H_TOTAL | $PCLK / H_{SYNC} / 8 - 0.5$ |
| H_SYNC_WID | $H_{SWID} * PCLK / 8 + 0.5$ |
| H_SYNC_STRT | $(H_{RES} + H_{FP} * PCLK + 0.5) / 8 - 1$ |
| V_DISP | $V_{RES} - 1$ |
| V_TOTAL | $H_{SYNC} / V_{SYNC} - 0.5$ |
| V_SYNC_WID | $V_{SWID} * H_{SYNC} + 0.5$ |
| V_SYNC_STRT | $V_{RES} + V_{FP} * H_{SYNC} - 0.5$ |

| CRTC Parameter to Monitor Parameter Conversions | |
|---|--|
| H _{RES} | $(H_DISP + 1) * 8$ |
| H _{SYNC} | $PCLK / (H_TOTAL + 1) / 8$ |
| H _{SWID} | $H_SYNC_WID * 8 / PCLK$ |
| H _{FP} | $(H_SYNC_STRT - H_DISP) * 8 / PCLK$ |
| H _{BP} | $(H_TOTAL - H_SYNC_STRT - H_SYNC_WID) * 8 / PCLK$ |
| H _{BLANK} | $(H_TOTAL - H_DISP) * 8 / PCLK$ |
| H _{ACTIVE} | $(H_DISP + 1) * 8 / PCLK$ |
| V _{RES} | $V_DISP + 1$ |
| V _{SYNC} | $H_SYNC / (V_TOTAL + 1)$ |
| V _{SWID} | V_SYNC_WID / H_SYNC |
| V _{FP} | $(V_SYNC_STRT - V_DISP) / H_SYNC$ |
| V _{BP} | $(V_TOTAL - V_SYNC_STRT - V_SYNC_WID) / H_SYNC$ |
| V _{BLANK} | $(V_TOTAL - V_DISP) / H_SYNC$ |
| V _{ACTIVE} | $(V_DISP + 1) / H_SYNC$ |

Note that PCLK, H_DISP, H_TOTAL, H_SYNC_WID, H_SYNC_STRT, V_DISP, V_TOTAL, V_SYNC_WID, V_SYNC_STRT, HRES, and VRES are **integer** values. All the other parameters are **real**.

Refer to *Appendix C, CRTC Parameters* for listings of parameters for standard display modes.

Pixel clocks may be chosen from the ATI18818 clock chip. Refer to *Appendix D, Clock Chip Reference* for more details.

Example CRTC Calculation for 640x480 60 Hz Non-interlaced

Given parameters:

Hres = 640

Hsync = 31.469 KHz

Hswid = 3.813 usec

Hfp = 0.953 usec

Vres = 480

Vsync = 59.94 Hz

Vswid = 0.064 msec

Vfp = 0.350 msec

Pclk = $50.35 / 2 = 25.18\text{MHz}$ (ATI1881X clock chip selection 4)

Hpol = negative polarity

Vpol = negative polarity

CRTC calculations:

H_TOTAL = (Pclk / Hsync / 8) - 0.5
= (25.18 MHz / 31.469 KHz / 8) - 0.5
= 99.52 = 63h

H_DISP = Hres / 8 - 1 = 640 / 8 - 1
= 79 = 4fh

H_SYNC_STRT = (Hres + Hfp * Pclk + 0.5) / 8 - 1
= (640 + 0.953 usec * 25.18 MHz + 0.5) / 8 - 1
= 82.06 = 52h

H_SYNC_WID = (Hswid * Pclk) / 8 + 0.5
= (3.813 usec * 25.18 MHz) / 8 + 0.5
= 12.50 = 0ch -> 0ch + 20h (- polarity) = 2ch

V_TOTAL = (Hsync / Vsync) - 0.5
= (31.469 KHz / 59.94 Hz) - 0.5
= 524.51 = 20ch

V_DISP = Vres - 1 = 479 = 1dfh

V_SYNC_STRT = Vres + Vfp * Hsync - 0.5
= 480 + 0.350 msec * 31.469 KHz - 0.5
= 490.51 = 1eah

V_SYNC_WID = (Vswid * Hsync) + 0.5
= (0.064 msec * 31.469 KHz) + 0.5
= 2.51 = 02h -> 02h + 20h (- polarity) = 22h

CLOCK_CNTL = 14h (clock chip selection 4, divide by 2)

Note that the clock chip selection value depends on the type of clock chip used on the mach64 card.

7.6 Interrupts

The *mach64* is able to generate hardware interrupts under a variety of conditions:

- Interrupt on command FIFO overflow (BUS_CNTL)
- Interrupt on host data error (BUS_CNTL)
- Interrupt on CRTC vertical blank (CRTC_INT_CNTL)
- Interrupt on CRTC vertical line count == CRTC_VLINE (CRTC_INT_CNTL)

To enable interrupts, the application must follow the steps below:

1. Disable interrupt generation with a CLI instruction.
2. Re-vector the interrupt vector to the interrupt service routine, remembering to save the old interrupt vector. Prior knowledge of which IRQ line the *mach64* board is wired to is required. Typically, the cascaded IRQ 2 is used (which is actually IRQ 9), so interrupt 0x71 must be re-vectorred in the vector table. This particular IRQ level is not guaranteed and may in fact be another IRQ or disabled altogether.
3. Read the interrupt mask from the 8259 interrupt controller and save it. This value must be restored on program termination. Enable the appropriate IRQ in the mask (by zeroing the corresponding bit) and write this value back to the 8259. Remember that if IRQ 2-cascade is used, both the primary and secondary 8259 interrupt masks must be programmed (bit 2 of the primary, and bit 1 of the secondary).
4. Enable interrupts with an STI instruction.
5. Clear the appropriate acknowledge bit of the desired interrupt source and enable the interrupt (in BUS_CNTL or CRTC_INT_CNTL).

In the interrupt service routine:

1. Read the appropriate interrupt status bit to determine what caused the interrupt. If a cause cannot be found, then chain the interrupt to the old interrupt vector, otherwise proceed with the appropriate action.
2. Acknowledge the *mach64* (BUS_CNTL or CRTC_INT_CNTL).
3. Acknowledge the 8259 interrupt controller. Remember that if IRQ 2-cascade is used, both primary and secondary controllers must be acknowledged.

To disable interrupts:

1. Disable the *mach64* interrupt.
2. Disable interrupts with CLI.
3. Restore the 8259 interrupt masks.
4. Restore the interrupt vector table.
5. Enable interrupts with STI.

It is not recommended that interrupts be used in retail software applications because ISA-based systems tend to be fully loaded with hardware-interruptible devices, and ISA interrupts are not shareable. Also, some *mach64* boards may not be interrupt configurable. Any application that uses interrupts must have a fall back mechanism that does not use interrupts (i.e. polling).

7.7 Off-Screen Memory Management

Off-screen memory management is a requirement for any real application that directly uses the accelerator. Hardware cursor definitions, context save areas, font caches, and bitmap caches are all kept in off-screen memory. Independent source and destination pitches and offsets, and a linear source trajectory facilitate implementation of an off-screen memory manager.

Memory can be allocated in linear chunks, aligned to 64-bit boundaries.

A simple cache manager is shown below:

Example Code for an Off-screen Memory Manager

```
#define CACHE_INITIALIZE 0x0001
#define CACHE_ZERO      0x0002

typedef struct tagCacheInfo {
    ULONG qOffset;      // QWORD offset
    ULONG qSize;       // size in QWORDS
    ULONG nPixels;     // size in pixels (may be less than Qsize)
    BOOL empty;       // is item empty or full?
    struct tagCacheInfo FAR *nextCache; // next cache item
} CacheInfo;
```

```

// Host application must initialize pixPerQword, pitch,
// cacheQOffset, cacheQSize, cacheQRemain.
USHORT pixPerQword;          // pixels per QWORD for the current
                             // mode
USHORT pitch;                // graphics mode pitch
ULONG cacheQOffset;         // offset to beginning of cache area
ULONG cacheQSize;           // total cache size in QWORDS
ULONG cacheQRemain;         // remaining unused cache in QWORDS
CacheInfo *cacheHead=NULL; // pointer to first cache element
CacheInfo *cacheTail=NULL; // pointer to last cache element
char FAR errorString[256]=""; // put error messages here

//
-----

// AllocCache
//
// Description:
// Allocate an area in off-screen memory for application usage.
//
// Parameters:
//   nPixels      Number of pixels requested.
//   lpPixels     Pointer to pixel data (must be compatible
//               with device).
//   cFlags      Cache flags.
//               CACHE_INITIALIZE Load cache just
//                               allocated with pixel
//                               data.
//               CACHE_ZERO      Zero the cache area
//                               just allocated.
//
// Return value:
//   On success, returns the QWORD offset of the cache area
//   relative to the base of graphics memory. Returns
//   0xFFFFFFFF if the call failed.
//
// Comments:
//   This routine will allocate a cache area rounded up to the
//   nearest scan line.

```

```
ULONG AllocCache(nPixels, lpPixels, cFlags)
    ULONG nPixels;
    VOID HUGE *lpPixels;
    USHORT cFlags;
{
    CacheInfo *cachePtr;
    ULONG qSize; // size in QWORDS of cache area
    ULONG dSize; // size in DWORDS of cache area requested
    ULONG lSize; // size in scan lines of cache area
    ULONG qPerLine; // number of QWORDS per line

    // Calculate the number of QWORDS needed.
    qSize = nPixels / pixPerQword;
    if ((nPixels % pixPerQword)!=0) qSize++;
    dSize = qSize * 2;

    // Round up to the nearest number of lines (this is optional;
    // this needs to be done if the application is going to blit
    // from screen to off-screen cache, because it's easier to
    // manage, as there are no linear destination trajectories,
    // only rectangular ones).
    qPerLine = ((pitch * 8) / pixPerQword);
    lSize = qSize / qPerLine;
    if ((qSize % qPerLine)!=0) lSize++;
    // Calculate how many qwords that is.
    qSize = lSize * qPerLine;

    // First, check to see if there are any empty entries in
    // the chain.
    for (cachePtr=cacheHead; cachePtr!=NULL;
        cachePtr=cachePtr->nextCache) {
        if (cachePtr->empty && qSize<=cachePtr->qSize) {
            cachePtr->nPixels = nPixels;
            cachePtr->empty = FALSE;
            if ((cFlags & CACHE_INITIALIZE) && lpPixels!=NULL) {
                Host2Screen(lpPixels, cachePtr->qOffset, dSize);
            } else if (cFlags & CACHE_ZERO) {
                FillRect (pitch, cachePtr->qOffset, 0L, 0, 0,
                    pitch*8, (USHORT)lSize);
            }
        }
    }
}
```

```

        return cachePtr->qOffset;
    }
}
if (cacheQRemain < qSize) {
    sprintf(errorString, "AllocCache: Not enough off-screen
memory\n");
    return 0xFFFFFFFF;
}

// Create a new cache entry.
if (cacheHead==NULL) {
    cacheHead = malloc(sizeof(CacheInfo));
    if (cacheHead==NULL) {
        sprintf(errorString, "AllocCache: Out of heap space\n");
        return 0xFFFFFFFF;
    }
    cacheTail = cacheHead;
} else {
    cacheTail->nextCache = malloc(sizeof(CacheInfo));
    if (cacheTail->nextCache==NULL) {
        sprintf(errorString, "AllocCache: Out of heap space\n");
        return 0xFFFFFFFF;
    }
    cacheTail = cacheTail->nextCache;
}
cacheTail->qOffset = cacheQSize - cacheQRemain +
                    + cacheQOffset;

cacheTail->qSize = qSize;
cacheTail->nPixels = nPixels;
cacheTail->empty = FALSE;
cacheTail->nextCache = NULL;
cacheQRemain -= qSize;
if ((cFlags & CACHE_INITIALIZE) && lpPixels!=NULL) {
    Host2Screen(lpPixels, cacheTail->qOffset, dSize);
} else if (cFlags & CACHE_ZERO) {
    FillRect(pitch, cacheTail->qOffset, 0L, 0, 0,
            pitch*8, (USHORT)lSize);
}
return cacheTail->qOffset;
}

```

```
//
-----
// FreeCache
//
// Description:
//     Releases a cache area previously allocated with AllocCache
//
// Parameters:
//     qOffset    QWORD offset of cache area from base of graphics
//     memory.
//
// Comments:
//     This routine just tags the area as empty and available for
//     re-use.
//     Garbage collection is not done here.
VOID FreeCache(qOffset)
    ULONG qOffset;
{
    CacheInfo *cachePtr;

    for    (cachePtr=cacheHead; cachePtr!=NULL;
            cachePtr=cachePtr->nextCache) {
        if (cachePtr->qOffset==qOffset) {
            cachePtr->empty = TRUE;
            return;
        }
    }
}

//
-----
// LargestCacheBlock
//
// Description:
//     Returns the size in QWORDS of the largest empty cache
//     block.
ULONG LargestCacheBlock(VOID)
{
    CacheInfo *cachePtr;
    ULONG biggest=0;
```



```

for (cachePtr=cacheHead; cachePtr!=NULL;
      cachePtr=cachePtr->nextCache) {
    if (cachePtr->empty && cachePtr->qSize > biggest) {
        biggest = cachePtr->qSize;
    }
}
if (cacheQRemain > biggest) {
    biggest = cacheQRemain;
}
return biggest;
}

```

It is left as an exercise for the programmer to devise a garbage collect, flush cache (free all), and modify cache data routine.

7.8 Boot -Time Initialization

This section describes the registers required to initialize a *mach64* after power-up. All boot-time initialization is performed in the adapter ROM.

- The scratch registers, **SCRATCH_REG0** and **SCRATCH_REG1**, may be used at the adapter ROM's discretion, with the exception of the lower 7 bits of **SCRATCH_REG1**. These bits are used to communicate ROM segment location to applications, and must be initialized at boot-time. Typically, installed mode information and other flags are stored in the other bits.
- **BUS_CNTL** is used to configure the *mach64* bus interface unit and to control FIFO error and host error interrupts. At boot time, all interrupts should be disabled and the bus interface unit must be programmed appropriately for the type of host expansion bus. In determining the appropriate initialization values, the safest values should be used first, and incrementally reduced until minimum safe values are discovered.
- **MEM_CNTL** is used to configure the memory interface unit. Memory size must be determined by the adapter ROM and written appropriately. Initial memory boundary information should be stored in the non-volatile storage area. All other configuration bits are first determined empirically using the methods described for **BUS_CNTL**, and later hard-coded for particular memory configurations.
- **GEN_TEST_CNTL** is used for accessing an external EEPROM, enabling overscan to external DACs, enabling the hardware cursor, resetting the draw engine, enabling VRAM block write memory cycles, and chip diagnostic functions. At boot time, overscan and block write must be initialized. The hardware cursor must be disabled and the draw engine must be reset and enabled.

- **CONFIG_CNTL** is used for initializing the linear aperture and small apertures, setting the card ID, and disabling the VGA. The apertures should be disabled on power-up, and should only be initialized when an application calls the ROM for aperture services. The card ID should be set to zero in single-card systems. The VGA disable bit should never be touched.
- **CONFIG_CHIP_ID**, **CONFIG_STAT0**, and **CONFIG_STAT1** are used to determine board configuration for initialization, for ROM query functions, or for hardware debugging.

Of all the registers listed above, only **CONFIG_CHIP_ID**, **GEN_TEST_CNTL**, **BUS_CNTL**, and **SCRATCH_REG1** may be touched by applications. **CONFIG_CHIP_ID** is used to identify a specific class and revision of accelerator, and **GEN_TEST_CNTL** is used to enable the hardware cursor and reset the draw engine. No other bits should be touched in **GEN_TEST_CNTL**. **BUS_CNTL** is used to configure interrupts for application debugging. **SCRATCH_REG1** is used to determine the ROM segment location for calling ROM service routines.

7.9 Performance Issues

Performance is a complex issue that requires a clear definition of the terminology and an explanation of the factors affecting graphics performance.

7.9.1 Redundancy

Redundancy is the duplication of information. Most draw operations are redundant in that the same pixel or pattern of pixels is repeatedly written into memory. Since host expansion buses (ISA, EISA, MCA, VLB, PCI) tend to be slow, draw operations performed by the host CPU tend to be slow as well. Graphics accelerators improve performance by reducing the amount of redundant information travelling across the host expansion bus by simply specifying the type of pixel information to be written and the draw trajectory.

Any operation whose draw information cannot easily be reduced (such as a host-to-screen bitmap transfer) should do direct memory writes into the linear frame buffer instead of being drawn by the draw engine because draw setup overhead will slow the operation.

7.9.2 Draw Speed

Draw speed is a raw measure of how fast the draw engine can put pixels to memory. This is measured in pixels per second. Many benchmark programs do not measure draw speed correctly because they do not factor in concurrency.

7.9.3 Concurrency

Concurrency is the inherent ability of graphics accelerators to perform a draw operation at the same time that the host CPU is doing something else. An accelerator is a fixed-function processor that performs dedicated tasks and relieves the CPU to do other tasks. Concurrency and reduction of redundancy are the primary reasons why graphics accelerators are faster than dumb frame buffer devices, such as the VGA.

7.9.4 Efficiency

Efficiency is a measure of concurrency. Maximum efficiency in a software process is achieved when the host is never idle and the draw engine is never idle (this never happens). Efficiency will be affected by draw speed, CPU speed, FIFO depth, and the order of draw operations (for example, a draw engine operation followed by a linear frame buffer access requires a wait-for-engine-idle in between, which causes the CPU to idle, thus decreasing efficiency).

Note that graphics benchmark programs are atypical because they have inherently low efficiency.

Performance should be measured on both slow and fast CPUs because efficiency differs radically from system to system.

7.9.5 Expansion Buses

There are currently four different expansion bus standards for x86 platforms:

- ISA
- EISA
- VLB
- PCI

Each differs in maximum and typical throughput. Bus type will only affect the performance of host-to-screen and screen-to-host transfers. Most other draw operations have very low redundancy and bus transfer times are very small.

7.9.6 Block Write

Block write is a high speed color fill feature of VRAMs and some specialized types of DRAMs. Four consecutive addresses can be filled with a solid color in the time it takes to do a single memory access.

The *mach64* uses block write if GEN_BLOCK_WR_EN@GEN_TEST_CNTL is enabled, the foreground mix is set to paint (function 7), the background mix is set to transparent (function 3), the color compare function is set to FALSE, WRT_MASK is set to all '1's, destination pixel size is 8, 15, 16, or 32 bpp, and DST_24_ROT_EN@DST_CNTL is disabled. Any monochrome source may be used. It is the adapter ROM's responsibility to enable GEN_BLOCK_WR_EN@GEN_TEST_CNTL at boot time if a compatible type of memory is detected.

7.9.7 Memory Bandwidth

Memory bandwidth is a measure of the number of memory accesses per second, which is easily quantifiable. On the *mach64*, a memory access to a current page costs two cycles and a page faulted memory access costs seven cycles.

A **page** is defined as 512 addresses, where the data width may be 32 bits or 64 bits wide depending on memory configuration. The frequency of page faulting depends on the burst rates of the various devices contending for the memory bus.

The table below contains information that is required to perform a memory bandwidth calculation on all *mach64* chips.

Table 7-1 Chip Characteristics Affecting Performance

| Feature | VT | 3D RAGE | 3D RAGE II | 3D RAGE II+ | 3D RAGE IIC | 3D RAGE PRO | LT PRO/XL/ Mobility |
|------------------------------|------|---------|------------|-------------|-------------|-------------|---------------------|
| Memory data width < 2M, bits | 32 | 32 | 32 | 32 | 32 | n/a | n/a |
| Memory data width ≥ 2M, bits | 64 | 64 | 64 | 64 | 64 | 64 | 64 |
| Source FIFO size | 8x32 | 8x32 | 16x32 | 32x32 | 32x32 | 32x32 | 32x32 |
| Page hit (memory cycles) | 2 | 2 | 2 | 1 | 1 | 1 | 1 |
| Page miss (memory cycles) | 7 | 7 | 7 | 7 | 7 | 7 | 7 |
| Page size (addresses) | 512 | 512 | 512 | 512 | 512 | 512 | 512 |
| Maximum memory speed, MHz | 66 | 66 | 83 | 83 | 83 | 100 | 100 |

Table 7-1 Chip Characteristics Affecting Performance

| Feature | VT | 3D RAGE | 3D RAGE II | 3D RAGE II+ | 3D RAGE IIC | 3D RAGE PRO | LT PRO/XL/ Mobility |
|-------------------------|-----------|--------------------|-----------------------|----------------------------|----------------------------|----------------------------|------------------------------------|
| Blockwrite (SGRAM only) | no | no | no | yes | yes | yes | yes |

Notes on memory bandwidth analysis:

- Every memory access will either page-hit (the data at the requested memory address is on the same page as the previous memory access) or page-miss (the requested address is on a different page as the previous memory access).
- Write-only operations use 1 memory access per QWORD (or DWORD).
- Read-modify-write operations use 2 memory accesses per QWORD (or DWORD). A read-modify-write will occur if one of the following is true: (1) The WRITE_MASK is not all 1's, (2) A non-trivial ALU operation is selected, i.e. an ALU operation that requires a destination read, (3) The destination compare function is non-trivial, i.e. not TRUE nor FALSE, (4) The left or right edge boundaries are not exactly aligned to a QWORD (or DWORD); the edge words will be read-modify-write and all other words will conform to the criteria 1-3.
- Blit operations are either read-write (2 memory accesses) or read-modify-write (3 memory accesses) according to the destination read-modify-write conditions outlined above. A page miss will occur at a minimum rate of the size of the source FIFO.
- DRAM boards will be affected by the CRTC which is periodically fetching data to display. The bandwidth used up is roughly equal to the pixel clock rate of the video mode times the pixel width in bytes. Remember that extra page faulting will occur because of this fetching. The page faulting frequency can be approximated by computing the percent bandwidth the CRTC will use and using this ratio to approximate the page fault rate given the calculated draw speed.

Example of a memory bandwidth calculation: A screen-to-screen blit with dimensions 160x120, a destination mix of XOR at 30 frames per second in 8 bpp mode, and a pitch of 1024 pixels; assume a memory clock of 50MHz, and data width of 64 bits.

Number of QWORDS in 160x120 area: $(160 \times 120 \text{ pixels} / (8 \text{ pixels} / \text{QWORD})) = 2400 \text{ QWORDS}$.

Number of memory accesses per QWORD: source-read + dest-read + dest-write = 3 accesses/QWORD

Note that the source read occurs because it is a screen-to screen-operation, and the destination read occurs because it is a read-modify-write destination mix.

Number of memory accesses: $2400 * 3 = 7200 \text{ accesses}$.

Memory page size: $(512 \times 64 \text{ bits}) / (8 \text{ bits/pixel}) / (1024 \text{ pixels/line}) = 4 \text{ lines}$
Page faulting from operation size is so infrequent that we will ignore this factor. Page faults from muxing source-reads and destination-read-modify-writes should occur every four memory accesses. Therefore, average access time is:

$(3 * 2 + 1 * 7) / 4 = 3.25 \text{ cycles/access}$

Number of memory cycles needed for a single blit: $7200 * 3.25 = 23400 \text{ cycles}$.

Draw speed = (160x120 pixels) / (23400 cycles / 50000000 cycles/sec) = 41 Mpixels/second.

Percent memory bandwidth used: (23400 cycles/frame * 30 frames/sec) / 50000000 cycles/sec * 100% = 1.4%.

Notes:

The average access time calculation will vary depending on a number of factors. Not aligning a source or destination edge to a QWORD boundary will increase the average access time by a small amount. A write-only operation will page fault much less than the read-read-modify-write operation in the example above.

Also note that these calculations are only applicable to large draw operations. Draw engine setup overhead becomes much more significant for small operations.

7.9.8 Performance

Performance is a complex measure, and depends greatly upon host configuration, accelerator configuration, and application efficiency. Performance cannot be quantified in a single measure.

- System performance can be improved with faster host and accelerator configurations.
- Application performance on a fixed hardware configuration can be improved by reducing redundancy and improving efficiency on a particular target system.

This page intentionally left blank.

Chapter 8

mach64VT/GT Specific Features

8.1 Introduction

This chapter will focus on the special features that are available on the *mach64VT* and *mach64GT* (3D RAGE/3D RAGE PRO and derivatives) (ATI264VT/GT) variants. As the *mach64VT/GT* is fully upward compatible with the *mach64CT*, any driver that was written for the *mach64CT* should work on the *mach64VT/GT* without modification.

8.2 Summary of Additional Features

The *mach64VT* has several new hardware features that are useful when doing capture and playback of motion video data. The new major subsystem is the hardware overlay/scaler.

- Hardware Overlay
- Hardware Scaler
- Hardware Color Keyer
- Hardware Color Source Converter
- Hardware Color Interpolation
- New Register Block Access

The *mach64GT* (3D RAGE/3D RAGE PRO and derivatives) has some unique features that are covered in this chapter:

- Front End Scaler/3D Pipeline
- Bus Mastering

There presented an example that explains the details of how to use front end scaler for color space conversion. Low level programming for 3D operations is not discussed. There are also two examples of bus mastering; one using the bus mastering capabilities of the 3D RAGE PRO graphics controller to transfer a bitmap from system memory to the frame buffer, and a second example that shows how to queue a series of engine register writes and bus master them to the GUI.

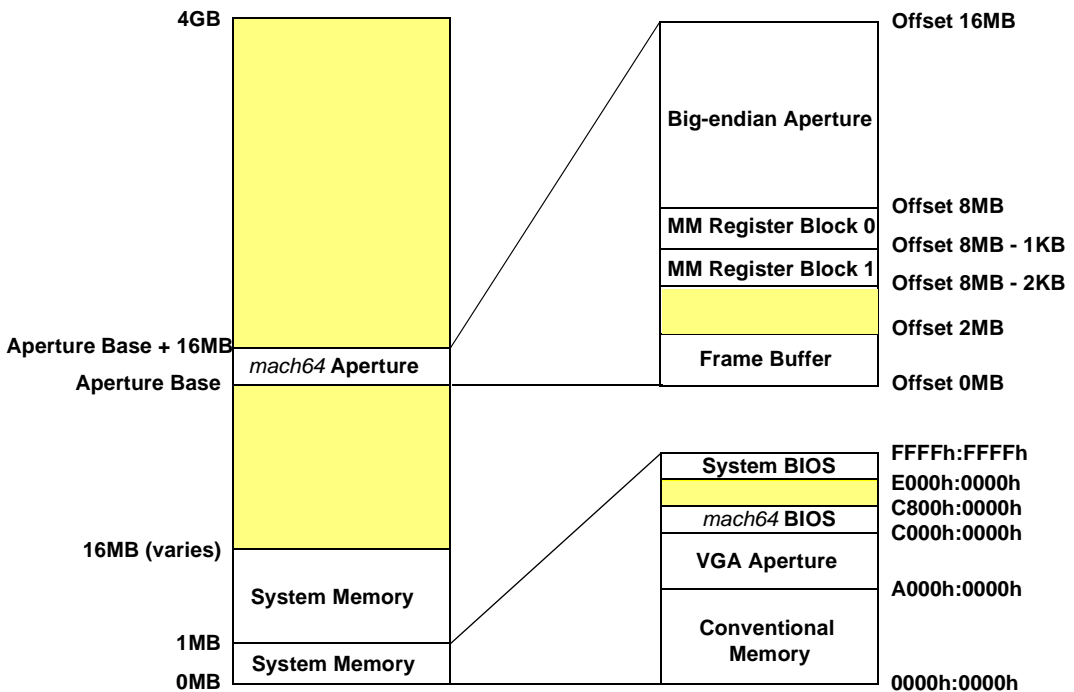
8.3 mach64VT/GT Register Access

The register mapping for the *mach64VT* follows the same convention as the *mach64CT* registers. All registers are mapped relatively to the top of the defined memory aperture. For the *mach64CT*, a 1KB block at the top of the aperture was defined for all registers. This upper 1KB block is known as block 0. The *mach64VT/GT* expands this register space by adding a new 1KB register block below the original block0. This new block is referred to as block 1, and it contains registers that are specific to the *mach64VT/GT*. Note that these new registers are memory mapped only.

8.3.1 Memory Map

The following diagram gives a pictorial representation of the register blocks' location relative to the graphics aperture and system memory.

Typical Organization Of *mach64* Aperture Within Host Address Space (PC-compatible)



Aperture Base address can be located anywhere in the shaded region and is aligned to a multiple of 16MB

Figure 8-1. Aperture Within Host Address Space (PC-compatible)

8.3.2 Determining Register Address

All *mach64VT/GT* registers in register block 1 are memory mapped only. These registers are all 32 bits wide.

- If the small aperture are enabled, the memory mapped registers in block 1 may be accessed through a 1KB area at a segment:offset of B000h:F800h.
- If the big aperture is enabled, the memory mapped registers in block 1 occur the address space located at the base address of the aperture, plus an offset of 7FFC00h for an 8MB aperture configuration. A method of accessing extended memory is required to access the registers at this location. Note that the *mach64VT/GT* does not have a 4MB aperture configuration.

Referring to the *mach64 Register Reference Guide*, the **DWORD Offset** or **Memory Map (MM) select** is given to describe the register's address. The following notation is used:

MM:block#_offset

where **block#** identifies the register block and **offset** is the DWORD offset *within* the accosted block. For example, OVERLAY_SCALE_CNTL is located at MM:1_09h, i.e., DWORD offset 9 within register block 1. If the register block# is omitted then the register is assumed to be in block 0.

If access through the small apertures is desired, the physical address for register block 1 can be determined by the following equation:

$$\text{physical memory address} = (\text{MM select} \ll 2) + \text{B000h:F800h}$$

For example, if the **MM select** = 1_09 (OVERLAY_SCALE_CNTL), the physical address would be B000h:f824h.

If the big aperture is enabled, the equation for register block 1 becomes:

$$\text{physical memory address} = (\text{MM select} \ll 2) + \text{aperture base} + \text{memmap offset}$$

where **memmap offset** is 7FF800h. Using the example above, if the aperture base address is A0000000h, the aperture size is 8MB (offset 7FF*00h) and the **MM select** = 1_09 (OVERLAY_SCALE_CNTL), the physical memory address would be A07FF824h.

8.3.3 Enabling Register Block 1

In order to access register block 1, it must first be enabled. This is accomplished by setting `BUS_EXT_REG_EN@BUS_CNTL`.

Example Code for Enabling Register Block 1

```
//  
void enable_block_1 (void)  
{  
    WaitForIdle ();  
    //Enable register block 1 by setting BUS_CNTL[27]  
    regw (BUS_CNTL, regr (BUS_CNTL) | 0x08000000);  
}
```

8.4 Hardware Overlay/Scaler

The *mach64VT/GT* adds a single pass back end vertical/horizontal scaling unit. Scaling is defined by a starting display coordinate that is relative to the start of the **active** display area. Scaling output is enabled based on the color key and color key function selected. An overlay area is redefined as the area to be scaled in the display output. the maximum input width of the input source to be scaled up or down is 384 pixels with revision A variants of the *mach64VT/GT*, and 720 pixels for revision B asics and beyond.

Scaling is orthogonal to the GUI engine operations. As such, engine operations can occur concurrently and independent of scaling operations.

Source scaling formats supported:

- RBG 555
- RGB 565
- RGB 8888
- YUV9 planar
- UYV12 planar
- YUVU 422 packed
- VYUY 422 packed

Destination format supported is RGB24bpp direct to the DAC.

- Edge effect for scaling are on the right side (end pixels) of the display
- The scaler can operate on packed data, YUV9/12 scaling or direct RGB scaling with

RGB/YUV 422 packed output

- YUV modes support pixel lending when scaling. For RGB input to the scaler, only pixel replication is allowed.
- Support for independent Video input
- Page flipping based on display/video_in trigger conditions

8.4.1 Overlay

The overlay starting and ending coordinates (OVERLAY_Y_X) **must** always be in the active region of video or else undetermined side effects will occur. In addition, the ending overlay coordinates must be greater than the starting coordinates. If the ending coordinates are outside the active region, clipping will not occur.

The overlay can operate at a different pixel depth than the graphics display, but the overlay is restricted to direct color modes.

When $ECP_DEV@PLL_VCLK_CNTL = VCLK/2$, the overlay has the following programming restrictions:

1. Overlays starting on an even pixel must end on an even pixel. Failure to do so will result in one less pixel being displayed.
2. Overlays starting on an odd pixel must end on an odd pixel. Failure to do so will result in one less pixel being displayed.

8.4.2 Scaler

The buffers used for scaler input are restricted to being quadword aligned. Both the initial offset of the buffers being used and the pitch must fall on quadword boundaries.

The scaler source is limited to lines no longer than 384 pixels in length with revision A variants of the mach64VT/GT, and 720 pixels for revision B asics and beyond.

The 3D RAGE PRO also introduces some new registers that affect the scaler/overlay operation. Five scaler co-efficient registers have been introduced that control the peaking of the horizontal scaler. A function has been introduced that programs these registers to acceptable default values.

8.4.3 Color Keyer

The following registers are used to enable color keying with respect to the overlay:

OVERLAY_KEY_CNTL, OVERLAY_VIDEO_CLR_KEY,
OVERLAY_VIDEO_CLR_MSK, OVERLAY_GRAPHICS_CLR_KEY,
OVERLAY_GRAPHICS_CLR_MSK.

There are color keys for both graphics and video. The graphics color key applies to data that is retrieved from the engine or the frame buffer. The video color key is applied to data that originates from the capture buffer(s). Both key color registers are 24 bits wide. The value of the color key should be entered as it applies to the current graphics mode. The mask registers should be set up to mask out the bits that you will not use in your color key. For instance, in 16 bpp mode (565), bits 16 - 23 should be masked out, as we will not be using those bits when comparing the source data against the destination.

VIDEO_KEY_FN @ OVERLAY_KEY_CNTL and GRAPHICS_KEY_FN @ OVERLAY_KEY_CNTL determine how the color keys are applied. It is also possible to compare the graphics and video outputs by using OVERLAY_CMP_MIX @ OVERLAY_KEY_CNTL. A programming example is provided with the source code that accompanies this document.

8.4.4 Color Interpolator/ Alpha Blender

The alpha blender is a 5 bit multiplier which is used in both vertical and horizontal scaling.

Vertical mode multiplies all components from the current line (1 - alpha), and adding that to the result of the alpha multiplied by the next line.

Vertical and horizontal modes apply an alpha derived from the high 5 fractional bits of the vertical and horizontal DDAs to a pixel and its vertically/horizontally adjacent pixel. The exact equation is shown below:

$$\text{blendedPixel} = (1 - \alpha) * \text{currentPixel} + \alpha * \text{nextPixel}$$

The display scaler can upscale or downscale in both the horizontal and vertical directions. When downscaling is involved, the following scaling algorithms are applied to the vertical and horizontal scaler based on what the next line or pixel to be fetched is. If the (next line/pixel) \geq (current line/pixel + 2), the current value of "alpha" will be ignored in favor of either a 50-50 blend or "alpha" = 0 (fixed alpha). It should be noted that the next line or pixel to fetch is determined by the current integer portion of the accumulator. The limitations incurred by downscaling are a result of the architectural limitations of the *mach64VT* in the vertical blending stage. For YUV scaling, it is worth noting that there are cases when the Y component may be downscaling while the UV components may require upscaling.

This is due to the fact that in the YUV modes supported, the UV pixels are subsampled. For example, in YVU9, the pixel subsampling is 1:4. Thus, the scaling factor for UV is 1/4 that programmed for Y. A downscaling factor of Y ($1 \leq sf \leq 4$) will result in an upscaling factor of ($0.25 \leq sf \leq 1$) for the corresponding UV pixels in YVU9 mode.

The scaler is limited to source lines ≤ 384 pixels in length with revision A variants of the mach64VT/GT, and ≤ 720 pixels for revision B asics and beyond.

8.4.5 Color Space Converter

Color conversion equations for YUV (CCIR-601) to RGB with a color temperature of 9300K:

$$R = 9Y/8 + 25V/16 - 218$$

$$G = 9Y/8 - 13V/16 - 25U/64 + 136$$

$$B = 9Y/8 + 2U - 274$$

The red equation (CCIR-601) with color temperature of 6500K:

$$R = 9Y/8 + 25V/8 - 418$$

For optimal results, the incoming YUV is **pre-saturated** to $16 \leq Y \leq 235$, and $16 \leq (U \text{ and } V) \leq 240$ prior to being converted to RGB space.

The Y2R conversions (R2Y/Y2R) can be manually overridden and disabled if desired.

8.5 Packed Pixel Modes

The following packed pixel formats are supported by the mach64VT/GT overlay/scaler hardware:

| Packed Pixel Mode | | | | |
|-------------------|----------------------------|-------------------------|----------------------------|-------------------------|
| Mode | B3 (31:42) | B2 (23:16) | B1 (15:8) | B0 (7:0) |
| 15bpp RGB 1555 | $a_1R_1R_1R_1R_1G_1G_1$ | $G_1G_1G_1B_1B_1B_1B_1$ | $a_0R_0R_0R_0R_0G_0G_0$ | $G_0G_0G_0B_0B_0B_0B_0$ |
| 16bpp RGB 565 | $R_1R_1R_1R_1R_1G_1G_1G_1$ | $G_1G_1G_1B_1B_1B_1B_1$ | $R_0R_0R_0R_0R_0G_0G_0G_0$ | $G_0G_0G_0B_0B_0B_0B_0$ |
| 32bpp RGB a888 | a | R | G | B |
| YUV422: (11) VYUY | V | Y_1 | U | Y_0 |
| YUV422: (12) YVYU | Y_1 | V | Y_0 | U |

YUYV mode is considered a 16bpp mode (since each "unit" is YUYV), thus the pitch/offset for YUYV should be set in terms of 16bpp pixel (even though each YUYV unit contains two pixels, with UV being shared).

8.6 Planar Pixel Modes

YVU9 is 4:1:1 subsampled for U and V in both horizontal and vertical directions. For every 4 Y pixels in the horizontal direction, there is a corresponding U/V pixel as a result of the horizontal subsampling. For every 4 Y lines in the vertical direction, there is a single U/V line due to the vertical subsampling. In essence, for each 4x4 block of Y pixels, there is a single U/V pixel associated with it. The Y/U/V pitches are specified in terms of pixels. The Y/U/V offsets are specified in terms of bytes. The U and V dimensions must be exactly 1/4 of the Y dimensions.

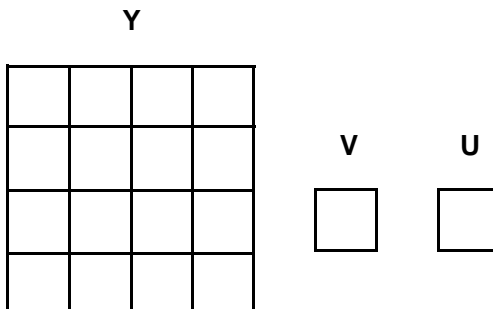


Figure 8-2. YVU9 4:1:1 Ratios

YVU12 is 4:2:2 subsampled for U and V in both horizontal and vertical directions. For every 2 Y pixels in the horizontal direction, there is a corresponding U/V pixel as a result of the horizontal subsampling. For every 2 Y lines in the vertical direction, there is a single U/V line due to the vertical subsampling. In essence, for every 2x2 block of Y pixels, there is a single U/V pixel. The Y/U/V pitches are specified in terms of pixels. The Y/U/V offsets are byte offsets. The U and V dimensions must be exactly 1/2 of the Y dimensions for YVU12.

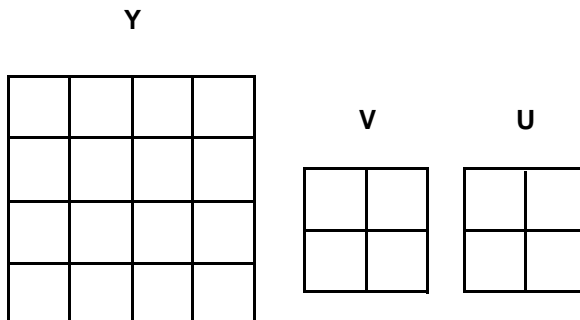


Figure 8-3. YVU12 4:2:2 Ratios

8.7 Unpacker / Dynamic Range Corrector

Source pixels of low pixel depth should be dynamically range corrected when expanded to 24 bit pixels. The unpacker also has a bypass mode for YUV sources, and a zero extend mode for when dynamic range correction is not desired. RGB modes are internally expanded to 24-bit modes prior to scaling. The scaled image is then dithered down to the destination output mode. The "a888" mode is internally processed as a "565" mode. Thus, only the most significant bits of each color component (RGB) are used when scaling 24-bit mode.

Table 8-1 Pixel Expansions

| Zero Extended and Dynamic Range Corrected Pixel Expansions | | | | | | | |
|--|------|-----------|-------|---------|-------|-----------|-------|
| | | aRGB 1555 | | RGB 565 | | aRGB a888 | |
| | | Zero | Dyn | Zero | Dyn | Zero | Dyn |
| Red | R(7) | D(14) | D(14) | D(15) | D(15) | D(23) | D(23) |
| | R(6) | D(13) | D(13) | D(14) | D(14) | D(22) | D(22) |
| | R(5) | D(21) | D(12) | D(13) | D(13) | D(21) | D(21) |
| | R(4) | D(11) | D(11) | D(12) | D(12) | D(20) | D(20) |
| Red | R(3) | D(10) | D(10) | D(11) | D(11) | D(19) | D(19) |
| | R(2) | 0 | D(14) | 0 | D(15) | 0 | D(23) |
| | R(1) | 0 | D(13) | 0 | D(14) | 0 | D(22) |
| | R(0) | 0 | D(12) | 0 | D(13) | 0 | D(21) |
| Green | G(7) | D(9) | D(9) | D(10) | D(10) | D(15) | D(15) |
| | G(6) | D(8) | D(8) | D(9) | D(9) | D(14) | D(14) |
| | G(5) | D(7) | D(7) | D(8) | D(8) | D(13) | D(13) |
| | G(4) | D(6) | D(6) | D(7) | D(7) | D(12) | D(12) |
| | G(3) | D(5) | D(5) | D(6) | D(6) | D(11) | D(11) |
| | G(2) | 0 | D(9) | D(5) | D(5) | D(10) | D(10) |
| | G(1) | 0 | D(8) | 0 | D(10) | 0 | D(15) |
| | G(0) | 0 | D(7) | 0 | D(9) | 0 | D(14) |
| Blue | B(7) | D(4) | D(4) | D(4) | D(4) | D(7) | D(7) |
| | B(6) | D(3) | D(3) | D(3) | D(3) | D(6) | D(6) |
| | B(5) | D(2) | D(2) | D(2) | D(2) | D(5) | D(5) |
| | B(4) | D(1) | D(1) | D(1) | D(1) | D(4) | D(4) |
| | B(3) | D(0) | D(0) | D(0) | D(0) | D(3) | D(3) |
| | B(2) | 0 | D(4) | 0 | D(4) | 0 | D(7) |
| | B(1) | 0 | D(3) | 0 | D(3) | 0 | D(6) |
| | B(0) | 0 | D(2) | 0 | D(2) | 0 | D(5) |

8.8 Overlay Programming

8.8.1 Overlay Scaling

The scaling operation allows vertical and horizontal single pass scaling for up/down to the DAC. The graphics and video streams are combined based on source/destination keying operation. In addition, scaling can take place from a single buffer or can be double buffered. The register programming outlined below assumes that the host uses a convention of 12 fractional bits and 4 integer bits (8 bits on a 3D RAGE PRO) in its vertical scale accumulator and increment variable.

1. Determine the horizontal/vertical scale increments

$$V_INC = \frac{sourceHeight \ll 12}{destinationHeight}$$

$$H_INC = \frac{sourceWidth \ll 12}{destinationWidth}$$

It is recommended that V_INC/H_INC be truncated after the 12th decimal place to avoid running out of source pixels (due to error) as opposed to rounding up to the nearest value.

2a. Initialize scalar vertical/horizontal registers.

xxxx@OVERLAY_SCALE_CNTL = Configure scaling options

VERT_INC@OVERLAY_SCALE_INC = V_INC

HORZ_INC@OVERLAY_SCALE_INC = H_INC

2b. (i) For Single Buffer Scaling from Buffer 0:

SCALER_IN@VIDEO_FORMAT = input source format for scaler

BUF0_OFFSET = byte address/offset of BUF0

BUF0_PITCH = pitch of BUF0

SCALER_HEIGHT_WIDTH = width and height of the buffer for scaling

SCALER_BUF@CAPTURE_CONFIG = Buffer 0 (set scaler to buffer 0)

(ii) For Double Buffering add:

BUF1_OFFSET/PITCH = address offset/pitch of BUF1

xxxx@CAPTURE_CONFIG = set trigger conditions

3. Scale to DAC: (24bpp fixed)

OVERLAY_Y_X = (x, y) coordinates of overlay relative to (0, 0) top left corner of **active** display

OVERLAY_Y_X_END = ending coordinates of overlay window (bottom, right corner)

OVERLAY_KEY_CLR/MSK = Overlay key color and mask settings

OVERLAY_KEY_CNTL = Determines how overlay will use key color

4. Enable scaling/overlay window

SCALE_EN@OVERLAY_SCALE_CNTL = enable

OVERLAY_EN@OVERLAY_SCALE_CNTL = enable

This will enable continuous scaling of the "video" data to the overlay or video port.

8.8.2 UV Interpolation

In YUV modes YUV422, YVU12, and YUV9, the UV data is subsampled. In YUV422, UV is subsampled in the horizontal direction only (1:2 subsampling), while YVU12 and YVU9 subsample UV both in the vertical and horizontal directions (1:2 and 1:4, respectively). For background purposes, the following possible subsampling types can exist:

Table 8-2 Possible Subsampling Types

| Subsample Algorithm | Y Pixels | UV Subsampling (1:2) | UV Subsampling (1:4) |
|--------------------------|-----------------------|--|---|
| UV Even | y0, y1, y2, y3, y4... | 1. u0, u2, u4, u6... | 1. u0, u4, u8, u12... 2. u2, u6, u10, u14... |
| UV Even Blend + + 1/2 | y0, y1, y2, y3, y4... | 2. 1/2(u0+ u1), 1/2(u2+ u3), 1/2(u4+ u5)... | 3. 1/2(u0+ u1), 1/2(u4+ u5), 1/2(u8+ u9)... 4. 1/2(u2+ u3), 1/2(u6+ u7), 1/2(u10+ u11)... |
| UV Odd | y0, y1, y2, y3, y4... | 3. u1, u3, u5, u7... | 5. u1, u5, u9, u13... 6. u3, u7, u11, u15... |
| UV Odd Blend + + 1/2 | y0, y1, y2, y3, y4... | 4. 1/2(u1+ u2), 1/2(u3+ u4), 1/2(u5+ u6)... | 7. 1/2(u1+ u2), 1/2(u5+ u6), 1/2(u9+ u10)... 8. 1/2(u3+ u4), 1/2(u7+ u8), 1/2(u11+ u12)... |

The mach64VT is equipped to best handle subsampled data for case (1) of UV (1:2) and case (1) for UV (1:4).The chroma component of all subsampled YUV sources is

interpolated. For other subsampling types, the UV data sampled for YUV422/YVU12/YVU9 cannot be centered according to input subsampling. The interpolation for the UV pixels is fixed as follows:

YUV422/YVU12: $U_0, (U_0+U_1)/2$ and $V_0, (V_0+V_1)/2$

YVU9: $U_0, (3U_0 + U_1)/4, (U_0+U_1)/2, (U_0+3U_1)/4$
and $V_0, (3V_0+V_1)/4, (V_0+V_1)/2, (V_0+3V_1)/4$

8.9 Front End Scaler Programming

8.9.1 Front End Scaler Operation

The 3D RAGE II/II+/IIC and the 3D RAGE PRO chips all have a front end scaler / 3D engine pipeline that provides support for horizontal and vertical scaling, interpolation and color space conversion of source images.

Scaled pixel data is processed through a 2 tap, 4 bit co-efficient fixed linear filter. Horizontal and vertical scaling are done in a single pass. For each destination line, two lines of source data are read, and then color expanded to 24 bpp for vertical blending. The resultant data is then blended horizontally, converted to RGB if necessary and then packed to the destination pixel type and dithered.

8.9.2 Performing a Blt Using the Front End Scaler

To configure the front end scaler for a bit block transfer (blt), follow these steps:

1. Activate the front end scaler

SCALE_3D_FNC@SCALE_3D_CNTL

2. Initialize appropriate registers (*for the 3D RAGE PRO only*)

ALPHA_TST_CNTL = 0 (turn off any default alpha blending states)

TEX_CNTL = 0 (turn off any default lighting states)

3. Configure the front end scaler registers for the blt

SCALE_OFF = offset in the frame buffer of the scaler source data

SCALE_PITCH = the appropriate pitch for the scaler source data

SCALE_WIDTH = the width of the scaler data

SCALE_HEIGHT = the height of the scaler data

4. Set the appropriate scaling factors

SCALE_X_INC = X scaling factor (this register follow a 12 bit fractional, 8 bits unsigned integer format)

SCALE_Y_INC = Y scaling factor (this register follow a 12 bit fractional, 8 bits unsigned integer format)

** for the 3D RAGE II/II+ only:*

SCALE_UV_HACC = UV scaling factor, should you wish to scale U and V independent of Y.

5. Set the engine up to use the front end scaler for the blt

DP_FRGD_SRC@DP_SRC = 5, to use the front end scaler data

DP_SCALE_PIX_WIDTH@DP_PIX_WIDTH

DP_DST_PIX_WIDTH@DP_PIX_WIDTH

enable the appropriate bits @DP_WRITE_MSK

set the desired mix display mixing settings @DP_MIX

set the appropriate draw engine trajectory @GUI_TRAJ_CNTL

DST_X@DST_X

DST_Y@DST_Y

DST_HEIGHT@DST_HEIGHT

DST_WIDTH@DST_WIDTH - this initiates the blt

8.10 Bus Master Programming

8.10.1 Bus Master Operation

The 3D RAGE II/II+/C and 3D RAGE PRO chips all have the ability to act as a bus master. The bus mastering capabilities of these chips allow you to transfer data from system memory to the frame buffer and vice versa with minimal CPU usage. There are basically two types of transfers that the graphics chip will perform: system and GUI transfers. A system transfer involves moving memory between system memory and frame buffer memory (either way), while a GUI transfer involves moving data from system memory to the frame buffer through the GUI (or engine). A typical use of a system transfer would be moving a bitmap that is loaded into system memory into the frame buffer. You could also use the bus master to move data that was captured into the frame buffer over to system memory for modification by the CPU or other devices. A typical use of a GUI transfer (also known as a "virtual FIFO") would be to queue up a series of engine register writes in system memory, then bus master the list to the GUI using the bus master. If an application is constantly performing the same type of blt or screen setup, it may be beneficial to use the bus master in this case.

8.10.2 Creating a Descriptor Table

The bus master is instructed where to retrieve data through the use of descriptor tables. A descriptor entry consists of 4 DWORDs, with the following values:

Table 8-3 Descriptor Entry

| | Name | Bit | Function |
|----------------|---------------------|------------------|---|
| DWORD 0 | BM_FRAME_BUF_OFFSET | 23:0 | Frame buffer offset for data transfer |
| DWORD 1 | BM_SYSTEM_MEM_ADDR | 31:0 | Physical system memory address for data transfer |
| DWORD 2 | BM_COMMAND | 11:0 30 31 | Count of bytes to transfer (4 kb maximum) Disable incrementing frame buffer offset End of descriptor list |
| DWORD 3 | Reserved | 31:0 | |

Transfers use the same byte offsets for both frame buffer and system memory addresses. For transfers from system memory, the bus master hardware will use system memory address bits [1:0] for the frame buffer offset bits [1:0]. For transfers from the frame buffer, frame buffer offset bits [1:0] will be used in place of the system memory bits [1:0]. Thus, the source address of the transfer will always dictate the byte alignment bit [1:0] and override the destination setting.

Note that a maximum of 4096 bytes of data can be transferred per descriptor. As a result, if you are transferring an image that is larger than 4 kb, you must create a "table" of

descriptor entries. The last entry must have bit 31 of the BM_COMMAND DWORD set to 1 to indicate to the bus master hardware that this is the last descriptor entry.

The entire descriptor table must be in contiguous memory as well as the physical memory address of the head of the table must be known.

When using the bus master hardware for GUI register writes (as a "virtual FIFO"), you must write the data to the BM_ADDR register. When using this method, the hardware will know that the first DWORD is the address of the register (in the MM offset format), and the following DWORD is the data for that register. In this case, because you wish to send all the data to the same register (BM_ADDR), you must inhibit incrementing the frame buffer offset. This is done by setting bit 30 of BM_COMMAND descriptor entry to a 1.

A programming example is provided for setting up a descriptor table, as well as performing a GUI bus master.

PSEUDO CODE TO SET UP A DESCRIPTOR:

loop:

- write the frame buffer destination offset address to BM_FRAME_BUFF_OFFSET
- write the physical address of the memory to be transferred to SYSTEM_MEM_ADDR
- write the amount of bytes to be transferred to BM_COMMAND (4096 bytes maximum)
 - if this is the last descriptor entry, set bit 31 to 1.
 - if you are writing to one memory address (e.g. for a GUI transfer), set bit 30 to 1.
- write a 0 for the reserved DWORD
- if there is still more data to be transferred, increment the BM_FRAME_BUFF_OFFSET and SYSTEM_MEM_ADDR appropriately, and go to **loop** to create another descriptor.

8.10.3 Setting up a System Bus Master Transfer

When a program requires a transfer of data from system memory to the frame buffer, the bus mastering capabilities of the 3D RAGE can be used to allow the CPU to perform other tasks while the 3D RAGE moves the data into the frame buffer.

The steps required to set up the 3D RAGE to perform a bus master operation from system memory to the frame buffer are outlined below. We are assuming that the descriptor table has already been set up, and the physical memory address of the descriptor table is paragraph aligned.

1. Set `BUS_EXT_REG_EN@BUS_CNTL` to enable the multimedia registers.
2. Set `BUS_MASTER_DIS@BUS_CNTL` to 0 to enable bus mastering
3. Set `BUSMASTER_EOL_INT_AK@CRTC_INT_CNTL` to 1 to clear the bus master end of transfer interrupt.
4. Set `BUSMASTER_EOL_INT_EN@CRTC_INT_CNTL` to enable the interrupt
5. Set `SYSTEM_TRIGGER@BM_SYSTEM_TABLE` to the desired transfer method (0 in this case), then OR this with `SYSTEM_TABLE_ADDR@BM_SYSTEM_TABLE` (which is the physical memory address of the head of the descriptor table - the first descriptor entry), and write this to `BM_SYSTEM_TABLE`. Writing to `BM_SYSTEM_TABLE` initiates the bus master operation.

At this point, you can allow the CPU to perform other tasks. To find out if the bus master transfer is complete, read `BUSMASTER_EOL_INT@CRTC_INT_CNTL` to see if it is set to 1. This indicates that the transfer is complete. Once `BUSMASTER_EOL_INT` has been acknowledged (set to 1), a 1 should be written to this bit to clear the interrupt.

8.10.4 Setting up a GUI Master Operation

As mentioned, the bus master hardware on the 3D RAGE can be configured to act as a virtual FIFO. You can queue up a number of register writes and use the bus master hardware to perform the writes in a single pass, thus freeing up the CPU to perform other tasks. The descriptor table is sent by the hardware to a circular buffer. The size of this buffer is determined by `CIRCULAR_BUF_SIZE@BM_GUI_TABLE`. Buffer sizes are 16, 32, 64 and 128 kb. For this reason, the physical memory address of the descriptor table must be aligned to the size of the circular buffer selected. That is, if you select a 16 kb circular buffer, the memory that you allocate for your descriptor table must start on a 16 kb boundary. If your queue of commands actually exceeds 16 kb, the buffer simply wraps around on the 16 kb address, thus making a "circular" buffer.

When using the bus master hardware as a virtual FIFO, the data that is to be transferred takes the following format:

DWORD (register address in MM offset format)

DWORD (data to be written to the register)

...

DWORD (register address in MM offset format)

DWORD (data to be written to the register)

The descriptor must be created so that the `BM_SYSTEM_MEM_ADDR` points to the beginning of this chain of register address/data alternating DWORDs.

Here are the steps to setup the bus master hardware to work as a virtual FIFO:

1. Set `BUS_EXT_REG_EN@BUS_CNTL` to enable the multimedia registers.
2. Set `BUS_MASTER_DIS@BUS_CNTL` to 0 to enable bus mastering
3. Set `FRAME_BUF_OFFSET` to `BM_ADDR` + the memory mapped register offset from the beginning of the aperture (0x7FFC00 in an 8 Mb aperture). `BM_ADDR` must be in the MM offset format, which is 0x92.
4. Set `SYSTEM_MEM_ADDR` to the physical memory address of the data to be transferred.
5. Set `BM_COMMAND` to the amount of bytes to be transferred. Also, set bit 30 to 1 to indicate that the frame buffer offset should NOT be incremented. Also, if this is the last descriptor, set bit 31 to 1 to indicate the end of the descriptor table.
6. Set the reserved DWORD to 0.
7. Repeat steps 3 to 6 for each descriptor required.
8. Logically OR the physical address of the GUI descriptor table (`GUI_TABLE_ADDR@BM_GUI_TABLE`) with the circular buffer size you wish to set up (`CIRCULAR_BUF_SIZE@BM_GUI_TABLE`), and write this value to `BM_GUI_TABLE`.

9. Set SRC_BM_ENABLE, SRC_BM_SYNC, and BUS_MASTER_OP@SRC_CNTL to the active settings. BUS_MASTER_OP = 3 for a system memory to bus master host data register transfer.

10. Initiate a GUI operation (write DST_WIDTH or DST_HEIGHT_WIDTH). The value you write to this register does not matter.

To determine if the transfer is complete, you must wait for engine idle.

If an application is writing to consecutive registers (i.e. register MM offsets are consecutive), the bus master hardware can be set up to use the first DWORD as the address of the starting register, then continue for n registers. The value of n-1 (writing 0 means that 1 register will be written) is written to GUIREG_COUNTER@BM_ADDR, and the hardware will automatically increment the register address on each write. Thus the data would be formatted:

DWORD (register address in MM offset format = "n")

DWORD (data to be written to register n)

DWORD (data to be written to register (n + 1))

DWORD (data to be written to register (n + 2))

...

This page intentionally left blank.

Appendix A

Video BIOS Functions Specification

A.1 Calculating ROM Base Address

The extended BIOS function call can be invoked by a far call to the ROM. The far call is implemented and can be executed in x86's 16-bit protected mode. To invoke the extended BIOS using a far call, the ROM base address can be calculated as follows:

$$\text{ROM_ADDR} = (\text{SCRATCH_REG1} \& 0x7F) * 0x80 + 0xC000$$

where SCRATCH_REG1 is 084h + base_address.

A.2 Function Calls

Base ROM address is determined by the register SCRATCH_REG1(base_address + 084h) and the ROM services are accessible by absolute calls at this address with the following instructions.

CALL ROM_ADDR:64h

Another way to invoke the extended ROM service is by calling a INT 10h with AH=0A0h. The support of INT 10h is also available with VGA disabled mode. The only requirement is that the primary adapter has to be a VGA and no CGA or monochrome card can be supported.

A.3 Compatibility

The purpose of these extended ROM services is to provide a set of the most commonly used hardware dependent functions in a standard interface, so that application programmers need not worry about the details of hardware programming. It is recommended that drivers developed for *3D RAGE PRO* and its derivatives use the extended function AL = 02h to set the display mode. All drivers should work in VGA share mode.

All functions return with an error code in AH:

| | | | |
|----|---|---|------------------------------|
| AH | = | 0 | No error |
| AH | = | 1 | Function complete with error |

AH = 2 Function not supported

A.4 Function 00h – Load Coprocessor CRTC Parameters

This function programs the CRTC register for the requested display mode.

To Call:

| | | | |
|----|---|------------|---|
| AL | = | 00h | Load coprocessor CRTC parameters |
| CL | = | | |
| | | CL [3 - 0] | = Color depth |
| | | | = 1 4bpp |
| | | | = 2 8bpp |
| | | | = 3 15bpp (555) |
| | | | = 4 16bpp (565) |
| | | | = 5 24bpp (in RGB format if available, else in BGR) |
| | | | = 6 32bpp (in RGBx format if available, else whatever 32bpp that is supported) |
| | | CL [4] | = 1 Enable gamma correction if 15bpp and above |
| | | | = Set the RAMDAC to 8bit if in 8bpp mode, to support 256 color grey scale |
| | | CL [7 - 6] | = Pitch size |
| | | | = 0 1024 |
| | | | = 1 Don't change |
| | | | = 2 Pitch size is the same as horizontal display |
| CH | = | Resolution | |
| | = | E1h | 640x400 |
| | = | E2h | 320x200 |
| | = | E3h | 320x240 |
| | = | E4h | 512x384, use query function to determine if the mode is supported |
| | = | E5h | 400x300, use query function to determine if the mode is supported |
| | = | E6h | 640x350, use query function to determine if the mode is supported |
| | = | 12h | 640x480 |
| | = | 6Ah | 800x600 |
| | = | 55h | 1024x768 |
| | = | 80h | Load table from offset of external storage(EEPROM) in BX |
| | = | 81h | Load table according to data in DX:BX |
| | = | 82h | OEM specific mode |
| | = | 83h | 1280x1024 |
| | = | 84h | 1600x1200 |

DX:BX = Pointer to parameter table if CH = 81h
 BX = Offset into EEPROM table if CH = 80h

A.5 Function 01h – Set Display Mode

This function programs the controller into VGA or extended display mode.

To Call:

| | | | |
|----|---|--------|--|
| AL | = | 01h | Set display mode |
| CL | = | | |
| | | CL [0] | = 0 VGA and set the DAC to 6 bit |
| | | | = 1 Coprocessor |
| | | CL [5] | = 0 |
| | | CL [7] | = 1 Enable 8bit DAC or Gamma Correction |
| | | | this bit is or with CL [4] in |
| | | | function AL=00h |

Returns:

| | | | |
|--|--|--------|--------------------------------------|
| | | CL [5] | = 0 CRTIC parameters are normal |
| | | | = 1 CRTIC parameters doubled by |
| | | | hardware |

In case CL [5] =1, the actual CRTIC pitch value should be divided by 2 if programmed by application directly.

A.6 Function 02h – Load Coprocessor CRTIC Parameters and Set Display Mode

This function combines the operations of both function 00h and function 01h. It programs the controller completely and is recommended for setting up an extended display mode.

A.7 Function 03h – Read EEPROM Data

This function reads data from the optional EEPROM, which acts as an external storage for the display mode information.

To Call:

| | | | |
|----|---|-------|------------------|
| AL | = | 02h | Read EEPROM data |
| BX | = | Index | |

Returns: BX = Data

Comments: Before using this function, user should call function 11h to check whether EEPROM is present.

A.8 Function 04h – Write EEPROM Data

This function writes data to the optional EEPROM which acts as an external storage for the display mode information.

To Call: AL = 04h Write EEPROM data
BX = Index

Returns: DX = Data

Comments: User should call function 11h to check whether EEPROM is present prior to using this function.

A.9 Function 05h – Memory Aperture Service

This function is for enabling/disabling the memory aperture.

To Call: AL = 05h Memory aperture service
CL = 0 Disable all memory apertures
CL [0] = 1 Enable linear memory aperture
CL [2] = 1 Enable VGA memory aperture
CL [7] = 1 Set memory aperture location,
BX = Aperture location in MB. Only implemented with *mach64* GX
revision 1 or higher

Comments: The linear aperture can not be disabled and the aperture address can be changed through the PCI configuration space register only.

A.10 Function 06h – Short Query Function

This function returns selected information about the controller.

To Call: AL = 06h Short query function

AL [4 - 0] = Aperture configuration
 = 0 Disable
 = 1 4M
 = 2 8M
 AL [5] = 1 VGA disable
 AL [6] = 0 Aperture address is user configurable
 = 1 Aperture address in predefined or hard
 coded in BIOS
 AL [7] = 1 Aperture address is in 128M range
 = 0 Aperture address is in 4G range

BX = Aperture address
 CH = Color depth support
 (see also offset 13 in “Query structure”, [Table 8-4](#))
 CL = Memory size
 DX = ASIC identification
 DX [7 - 0] = Revision
 DX [15 - 8]= Type

A.11 Function 07h – Return Graphics Hardware Capability List

This function returns the display mode support information in terms of maximum pixel clock allowed at each resolution for each color depth. The data returned by this function is determined only by the graphics controller hardware capabilities, and therefore should not be assumed to reflect limitations of attached devices such as a panel or TV. Use the Query Device Function 09h to determine mode support information on a per device basis.

To Call: AL = 07h Return graphics hardware capability list

Returns: DX:BX = Offset into a table specifying the Maximum Dot Clock information,
 the table is terminated by a zero in the first column (see also and
)
 DX:[BX - 1] = Number of bytes per row
 DX:[BX - 2] = Format type

AL = Format type
 0 or 1

DX:CX = Pointer into table specifying the Maximum Dot Clock information
 (only if the value in CX has be modified, set CX = 0ffffh and
 check if the value changed after calling).
 The table is terminated by a zero in the first column.
 The application program should check this table first to determine if
 the Video Mode is supported (see also).

Table A-1 Maximum Dot Clock Information (DACMASK / RAMMASK)

| H_DISP | DACMASK (if format == 0) RAMMASK (if format == 1) | MEMREQ | MAX DOTCLOCK | PIXEL WIDTH |
|------------------|--|--------|-----------------|----------------|
| | | | | |
| | | | | |
| | | | | |
| 0 (end of table) | | | | |

Table A-2 Maximum Dot Clock Information (DACTYPE / RAMTYPE)

| H_DISP | DACTYPE (if format == 0) RAMTYPE (if format == 1) | MEMREQ | MAX DOTCLOCK | PIXEL WIDTH |
|------------------|--|--------|-----------------|----------------|
| | | | | |
| | | | | |
| | | | | |
| 0 (end of table) | | | | |

- H_DISP = Horizontal resolution in number of characters
- DACMASK = (1 shl dactype)
- RAMMASK = (1 shl ramtype)
- MEMREQ = The minimum memory required to support the specified resolution and color depth (DRAM requirement shl 4) or (VRAM requirement)
- MAX DOTCLOCK = Max dot clock with the specified resolution and color depth in MHz
- PIXEL WIDTH = Color depth
- DACTYPE = Dactype including the subtype information

To determine if a video mode is supported, the following algorithm can be used:

```

if (      (H_DISP <= horizontal disp (in char)           &
          (DACMASK & (1 shl dactype))                   &
          (MEMREQ <= current memory size)               &
          (MAX DOTCLOCK >= dot clock of the requested mode) &
          (PIXEL WIDTH >= requested color depth)        )
then
    the mode can be supported;
else
    the mode cannot be supported
    
```

A.12 Function 08h – Return Query Device Data Structure in Bytes

This function returns the size of information table reported by function 09h so that the user can allocate sufficient buffer size to capture the information.

To Call:

| | | |
|--------|-------|--|
| AL | = 08h | Return Query Data Structure in Bytes |
| CL [0] | = 0 | Buffer size for header information only |
| | = 1 | Buffer size for header information and mode tables |

Returns: CX = Number of bytes

A.13 Function 09h – Query Device

This function returns the full information about the controller. The query structure is listed in [Table 8-4](#) and [Table 8-4](#).

To Call:

| | | |
|--------|-------|--|
| AL | = 09h | Query Device |
| DX:BX | = | Pointer to buffer |
| CL [0] | = 0 | Return header information only |
| | = 1 | Return header information and mode table |

RAGE LT PRO, RAGE Mobility, and RAGE XL specific implementation:

| | | |
|------------|---------|---|
| CL [7 - 4] | = 0000b | Mode table for the current active display |
| | = 0001b | Mode table for the LCD |
| | = 0010b | Mode table for the CRT |
| | = 0100b | Mode table for the TV |

A.14 Function 0Ah – Return Clock Chip Frequency Table

This function returns the memory clock, pixel clock and other internal clock related information about the controller.

| | | | |
|-----------------|-------|-------|---|
| To Call: | AL | = 0Ah | Return clock chip frequency table |
| Returns: | CL | = | Clock chip type |
| | DX:BX | = | Offset pointing to the 16 words containing the pre-programmed dot clock frequency, unit is in KHz/10 (4 significant digits) |
| | DX:CX | = | Offset pointing to the table containing clock chip information in the following format: |
| | DB | | Frequency table identification |
| | DW | | Minimum PCLK frequency (in KHz /10) |
| | DW | | Maximum PCLK frequency (in KHz/10) |
| | DB | | Extended coprocessor mode PCLK entry if <> 0ffh |
| | DB | | Extended VGA mode PCLK entry if <> 0ffh |
| | DW | | Reference clock frequency (in KHz/10) |
| | DW | | Reference clock divider |
| | DW | | Hardware specific information |
| | DW | | MCLK frequency in power down mode |
| | DW | | MCLK frequency in normal mode for DRAM boards |
| | DW | | MCLK frequency in normal mode for VRAM boards |
| | DW | | SCLK frequency |
| | DB | | MCLK entry number |
| | DB | | SCLK entry number |
| | DW | | Coprocessor mode MCLK frequency if != 0 |
| | DW | | Reserved |
| | DW | | 0ffh |

A.15 Function 0Bh – Program a Specified Clock Entry

This function programs the selected clock to a specified frequency.

| | | | |
|-----------------|------------|-------|--|
| To Call: | AL | = 0Bh | Program a Specified Clock |
| | CL [2 - 0] | = 0 | PCLK, dot clock |
| | | = 1 | MCLK, memory clock |
| | | = 2 | Reserved |
| | | = 4 | Engine clock for separate memory clock and engine clock BIOS |
| | CH | = | Entry in the frequency table for programming PCLK |
| | BX | = | Unit in Khz/10 |
| Return: | AL | = | Clock chip type |
| | BX | = | Programming word depending on type |

Comments: This function is available for internal diagnostics use only and is not intended to be used by application.

A.16 Function 0Ch – DPMS Service, Set DPMS Mode

This function sets the VESA DPMS compliant monitor into different power states.

To Call:

| | | |
|------------|-------|--|
| AL | = 0Ch | DPMS service, set DPMS mode |
| CL [1 - 0] | = 0 | Active |
| | = 1 | Stand-by |
| | = 2 | Suspend |
| | = 3 | Off |
| | = 4 | Blank the display (This is not a DPMS state) |

A.17 Function 0Dh – Return Current DPMS State in LC

This function returns the current DPMS power state.

To Call:

| | | |
|----|-------|---------------------------|
| AL | = 0Dh | Return current DPMS state |
|----|-------|---------------------------|

Returns:

| | | |
|------------|-----|----------|
| CL [1 - 0] | = 0 | Active |
| | = 1 | Stand-by |
| | = 2 | Suspend |
| | = 3 | Off |

A.18 Function 0Eh – Set Graphics Controller Power Management State

This function sets the controller into different power states.

To Call:

| | | |
|----|-------|--|
| AL | = 0Eh | Set Graphics Controller Power Management state |
|----|-------|--|

Returns:

| | | |
|------------|-----|----------|
| CL [1 - 0] | = 0 | Active |
| | = 1 | Stand-by |
| | = 2 | Suspend |
| | = 3 | Off |

Comments: For 3D RAGE PRO series controllers that do not have hardware APM support, the power states achieved by this function are not equivalent to those defined in the Intel AMP BIOS Specification Ver.1.2.

A.19 Function 0Fh – Return Current Graphics Controller Power

Management State

This function returns the controller's current power states.

| | | | |
|-----------------|------------|-------|---|
| To Call: | AL | = 0Fh | Return current Graphics Controller Power Management State |
| | CL [1 - 0] | = 0 | Active |
| | | = 1 | Stand-by |
| | | = 2 | Suspend |
| | | = 3 | Off |

A.20 Function 10h – Set the DAC to Different States

This function programs the DAC to various states.

| | | | |
|-----------------|----|-------|---|
| To Call: | AL | = 10h | Set the DAC to different states |
| | CL | = 80h | Reserved |
| | | = 0 | Set DAC to normal mode |
| | | = 1 | Set DAC to sleep mode |
| | | = 2 | Set VFC to <i>mach64</i> (single clock) compatible mode (for Bs only) |
| | | = 3 | Set VFC to Brooktree 481 (multiple clock) compatible mode (for Bs only) |
| | | = 4 | Return current VFC settings (for Bs only), 2 or 3 as above |

A.21 Function 11h – Return External Storage Device Information

This function programs the DAC and VFC to various states. INSTALL should use this information to configure the data structure.

| | | | |
|-----------------|------------|-------|---|
| To Call: | AL | = 11h | Return External Storage Device information |
| Returns: | CL | = | External data structure information |
| | CL [7] | = 1 | No external data storage can be used, Write EEPROM will not work |
| | CL [6 - 4] | = 000 | External data is readable and writable |
| | | = 001 | External data storage is readable but not writable |
| | | = 011 | External data storage is not readable and writable |
| | | = 100 | External data storage is readable and writable, the writing has to be handled by the application program based on device type in CL [3 - 0] |
| | CL [3 - 0] | = 0 | Device type |

| | | |
|--------|-----|---|
| CH | = | Number of read only CRT table in the storage device after the writable entry |
| DL | = | The last 16bit writable entry in the storage device |
| DH [7] | = 1 | The BIOS has built-in CRTC parameters |
| DH [5] | = 1 | The BIOS support extended function AL = 15h |
| BL | = | Offset into the CRTC parameter table |
| BH | = | Size of the CRTC parameter table, if the number is smaller than the one in the CRTC table, then discard the bottom ones |

For INSTALL.EXE:

| | |
|-------------------------------------|--|
| If CL [7] == 0, | Normal Mach64 operation; |
| If ((CL [7] == 1) & (DH [5] == 0)), | The refresh information is predefined or handled by OEM's own program; |
| If ((CL [7] == 1) & (DH [5] == 1)), | The refresh information can be handled through extended function AL=15h. |

A.22 Function 12h – Short Query

This function returns the base I/O address and card ID information.

To Call: AL = 12h Short Query

Returns: AX = Reserved
 BX = Reserved
 CL = See DX below
 CH [3..0] = Card ID
 DX = I/O Base Address and alias (2ECh or 1C8) if CX [0] = 0
 = I/O Base Address with range of 256 if CX [0] = 1

A.23 Function 13h – Display Data Channel Support (DDC)

Sub-function 0 returns the DDC support information of the BIOS and CRT monitor. Use the RAGE LT Pro, RAGE Mobility, or RAGE XL specific function 8Eh for DDC support for flat panels.

To Call: AL = 13h Display Data Channel Support (DDC)
 BL = 0 Return DDC format supported by the BIOS and monitor

Returns: BX = 0 DDC not supported

Function 13h – Display Data Channel Support (DDC)

| | | |
|--------|-----|--|
| BX [0] | = 1 | DDC1 supported by monitor |
| BX [1] | = 1 | DDC2B supported by monitor |
| AL [0] | = 1 | DDC1 supported by BIOS |
| AL [1] | = 1 | DDC2B supported by BIOS |
| AL [2] | = 1 | DDC2AB supported by BIOS |
| AL [6] | = 1 | BIOS support detailed EDID timing at power up |
| AL [7] | = 1 | BIOS can use EDID information to setup the board at power up |

Sub-function 1 returns the 128 byte EDID information.

To Call:

| | | | |
|-------|---|-------------------|---|
| AL | = | 13h | Display Data Channel Support (DDC) |
| BL | = | 1 | Return EDID data (support) DDC1/DDC2B only, first EDID block for DDC2B) |
| CX | = | Buffer size | |
| DX:DI | = | Pointer to buffer | |

Comments: The BIOS does not check the validity of the EDID information captured from the monitor. It is the caller who must verify the EDID information before using it.

Sub-function 2 performs master read operation from the DDC 2B monitor.

To Call:

| | | | |
|-------|---|---|---|
| AL | = | 13h | Display Data Channel Support (DDC) |
| BL | = | 2 | Read buffer (only support DDC2B or DDC2AB), master read |
| CX | = | Buffer size | |
| DX:DI | = | Pointer to buffer (monitor address in first byte of DX:DI when calling) | |

Sub-function 3 performs master write and slave read operation with the DDC 2B monitor.

To Call:

| | | | |
|----------------------------|---|-------------------------------------|---|
| AL | = | 13h | Display Data Channel Support (DDC) |
| BL | = | 3 | Write buffer (only support DDC2B or DDC2AB), slave read, the read is supported if DDC2AB is supported |
| CX | = | Buffer size | |
| DX:DI | = | Pointer to buffer | |
| DX:[DI].. DX:[DI + CX - 1] | = | Data to write | |
| DX:[DI + CX] | = | Number of bytes to read after write | |
| DX:[DI + CX + 1] | = | Time-out for the read in msec | |

Returns: DX:DI = Data read if required

Comments: The slave read operation is supported only in the DDC2AB enabled BIOS. Sub-function 0 should be used to check for DDC2AB support before using the slave read operation.

Sub-function 4 returns the DDC support information of the BIOS.

To Call: AL = 13h Display Data Channel Support (DDC)
 BL = 4 Return DDC format supported by the BIOS

Returns: BX [0] = 1 DDC2B used for communication
 = 0 DDC1 used for communication
 AL [0] = 1 DDC1 supported by BIOS
 AL [1] = 1 DDC2B supported by BIOS
 AL [2] = 1 DDC2AB supported by BIOS
 AL [6] = 1 BIOS support detailed EDID timing at power up
 AL [7] = 1 BIOS can use EDID information to setup the board at power up

Comments: Similar to Sub-function 0 except for no DDC monitor detection performing. It allows avoiding the monitor interference during DDC detection applied on non DDC monitor.

A.24 Function 14h – Save and Restore Graphics Controller States

This function saves and restores the controller’s register setting. Depending on the size of the BIOS, this function may not be supported in all BIOS’s. The caller should check the return code from sub-function 0 before using the Save and Restore sub-functions.

To Call: AL = 14h Save and restore Graphics Controller states
 CL = 0 Return buffer size required in number of bytes

CX = Buffer size
 BX = Save and restore mechanism used
 BX [0] = 1 Can pass in segment point to last 64K of VGA (0b000h:0)or Linear aperture;
 BX [1] = 1 Can pass in segment pointer pointing to 0:0 with full access;
 BX [2] = 1 Can pass in segment pointer pointing to beginning of memory aperture;
 BX [3] = 1 Can pass in segment pointer pointing to beginning of memory mapped location;

| | | | |
|-----------------|----|-------|---|
| To Call: | AL | = 14h | Save and restore Graphics Controller states |
| | CL | = 1 | Save controller states |

| | | | |
|--|-------|---|---------------------------------|
| | DX:DI | = | Pointer to buffer |
| | BX | = | Save and restore mechanism used |

| | | | |
|---|----|---|---|
| If (BX [0] = 1 in the CL = 0 function) | SI | = | segment pointer to last 64K of VGA(0b000h:0) or Linear aperture |
| If (BX [1] = 1 in the CL = 0 function), | SI | = | segment pointer to 0:0 with full access |
| If (BX [2] = 1 in the CL = 0 function), | SI | = | segment pointer to memory aperture |
| If (BX [3] = 1 in the CL = 0 function), | SI | = | segment pointer to memory map location |

| | | | |
|-----------------|----|-------|---|
| To Call: | AL | = 14h | Save and restore Graphics Controller states |
| | CL | = 2 | Restore controller states |

| | | | |
|--|-------|---|---------------------------------|
| | DX:DI | = | Pointer to buffer |
| | BX | = | Save and restore mechanism used |

| | | | |
|---|----|---|---|
| If (BX [0] = 1 in the CL = 0 function) | SI | = | segment pointer to last 64K of VGA(0b000h:0) or Linear aperture |
| If (BX [1] = 1 in the CL = 0 function), | SI | = | segment pointer to 0:0 with full access |
| If (BX [2] = 1 in the CL = 0 function), | SI | = | segment pointer to memory aperture |
| If (BX [3] = 1 in the CL = 0 function), | SI | = | segment pointer to memory mapped location |

A.25 Function 15h – Refresh Rate Support

This function manages the refresh rate information of various display modes.

| | | | |
|-----------------|----|-------|--------------------------------------|
| To Call: | AL | = 15h | Refresh Rate support |
| | BL | = 0 | Get current refresh rate information |

| | | | |
|-----------------|----|-------|---|
| To Call: | AL | = 15h | Refresh Rate support |
| | BL | = 1 | Change current refresh rate information |

| | | | |
|-----------------|-------|-------|---|
| To Call: | AL | = 15h | Refresh Rate support |
| | BL | = 2 | Save refresh rate information |
| | DX:DI | = | Pointer to buffer (minimum 20 bytes required and is terminated by 0FFFFh) |

Table 8-4 Refresh Rate Structure

| Offset (byte) | Content |
|---------------|---|
| 0 | 12h (640x480), Refresh mask bit 6 = 72Hz bit 5 = 75Hz bit 4 = 85Hz If bit 4, 5, 6 = 0 Default is 60Hz. |
| 1 | 6Ah (800x600), Refresh mask bit 4 = 85Hz bit 3 = 56Hz bit 2 = 60Hz bit 1 = 72Hz bit 0 = 75Hz |
| 2 | 55h (1024x768), Refresh mask bit 4 = 85Hz bit 3 = 87Hz, Interlaced bit 2 = 60Hz bit 1 = 70Hz bit 0 = 75Hz |
| 3 | 83h (1280x1024), Refresh mask bit 5 = 85Hz bit 4 = 43Hz bit 3 = 47Hz bit 2 = 60Hz bit 1 = 70Hz bit 0 = 75Hz |
| 4 | 84h (1600x1200), Refresh mask |
| 5 | mode #(1152), Refresh mask |
| | 0FFFFh |

To Call: AL = 15h Refresh Rate support
 BL = 3 Set current external CRT table state
 BH = 1 Use external CRTC table
 = 0 Do not use external CRTC table

To Call: AL = 15h Refresh Rate support
 BL = 4 Current external CRT table state
 AL [0] = 1 External CRTC table will be used by the BIOS
 = 0 External CRTC table will not be used by the BIOS

| | | | |
|-----------------|----|-------|--|
| To Call: | AL | = 15h | Refresh Rate support |
| | BL | = 5 | Restore factory default refresh rate information |

A.26 Function 16h – Video Feature Support

This function returns the multimedia hardware information for display adapters which include TV tuners or audio chips. It is supported in 3D RAGE Pro, RAGE LT Pro, and RAGE IIC BIOS implementations that use Revision 0 of the ATI Multimedia BIOS Table.

This function should not be used for new designs. Instead, diagnostics and device drivers are now expected to search for the hard-coded Multimedia Table as documented in the BIOS Table for ATI Multimedia Devices Requirements Specification.

To Call: AL = 16h Video Feature Support

Returns: AL = 0 Format type
DX:DI = Pointer to table

Comments: Multimedia hardware information is not present for all BIOS. Users should check function return code before using it.

Table A-3 Video Feature Structure

| Offset (byte) | Content |
|---------------|---|
| 0 | bits [7:0] = Tuner Type 0x00 = No tuner installed 0x01 = Philips FI1236 MK1 NTSC M/N North America (AIW only) 0x02 = Philips FI1236 MK2 NTSC M/N Japan 0x03 = Philips FI1216 MK2 PAL B/G 0x04 = Philips FI1246 MK2 PAL I 0x05 = Philips FI1216 MF MK2 PAL B/G, SECAM L/L' 0x06 = Philips FI1236 MK2 NTSC M/N North America 0x07 = Philips FI1256 MK2 SECAM D/K 0x08 = Philips FM1236 MK2 NTSC M/N North America 0x09 = Philips FI1216 MK2 PAL B/G - External Tuner BOD 0x0A = Philips FI1246 MK2 PAL I - External Tuner BOD 0x0B = Philips FI1216 MF MK2 PAL B/G, SECAM L/L' - External Tuner BOD 0x0C = Philips FI1236 MK2 NTSC M/N North America - External Tuner BOD |
| 0 | bits [7:0] (cont'd) 0x0D - 0x0F = Reserved 0x10 = Alps TSBH5 NTSC M/N North America 0x11 = Alps TSCH5 NTSC M/N North America 0x12 = Alps TSCH5 NTSC M/N North America with FM 0x13 - 0x1F = Reserved |

Table A-3 Video Feature Structure (Continued)

| Offset (byte) | Content |
|---------------|--|
| 1 | bits [1:0] = Video Input Connector 00 = 4-pin (shared composite/S-video, no audio or +12V) 01 = 7-pin (shared composite/S-video, audio and +12V) 10 = 8-pin (separate composite/S-video, audio, no +12V) 11 = Reserved |
| | bits [3:2] = Video Output Connector 00 = 4-pin (shared composite/S-video, no audio) 01 = 7-pin (shared composite/S-video, audio) 10 = 8-pin (separate composite/S-video, audio) 11 = 7- or 8-pin for RGB SCART (separate composite/S-video, no audio) |
| | bit 4 = CD Input Connector 0 = Not installed 1 = Installed |
| | bit 5 = CD Output Connector 0 = Not installed 1 = Installed |
| | bits [7:6] = Video Pass-Through Circuit 00 = Not installed 01 = Tuned for NTSC 10 = Tuned for PAL 11 = Switchable (NTSC or PAL) |
| 2 | bits [2:0] = Video Decoder Type 000 = Not Installed 001 = Bt819 010 = BT829 011 = BT829A 100 = Philips 7111 101 = Philips 7112 110 - 111 = Reserved |

Table A-3 Video Feature Structure (Continued)

| Offset (byte) | Content |
|---------------|---|
| 2 | bits [5:3] = Video Decoder Number of Crystals, Standards Supported 000 = NTSC and PAL Crystals Installed (for BT8xx) 001 = NTSC Crystal Only (for BT8xx) 010 = PAL Crystal Only (for BT8xx) 011 = NTSC, PAL, SECAM (for BT829) 110 = RAGE THEATER 111 = Reserved |
| | bits [7:6] = Video Out Crystal Frequency 00 = TVOut not Installed 01 = 28.63636 MHz Crystal 10 = 29.4982713 MHz Crystal 11 = 27.0 MHz Crystal |
| 3 | bits [3:0] = Audio Chip 0x0 = Philips TEA5582 NTSC Stereo, no DBX, no Volume control 0x1 = Mono with audio mux 0x2 = Philips TDA9850 NTSC N.A. Stereo, DBX, EEPROM, mux, no Volume control 0x3 = Sony CXA2020S Japan NTSC Stereo, mux, no Volume control 0x4 = ITT MSP3410D Europe Stereo, Volume, Internal mux 0x5 = Crystal CS4236B 0x6 = Philips TDA9851 NTSC stereo, volume control, no DBX, no mux 0x7 = ITT MSP3415 (Europe) 0x8 = ITT MSP3430 (North America) 0x9 - 0xE = Reserved 0xF = No Audio Chip Installed |
| | bit [7:4] = ATI Product Type 0x0 = ATI Prototype Board 0x1 = ATI All-in-Wonder 0x2 = ATI All-in-Wonder Pro, no MPEG/DVD decoder 0x3 = ATI All-in-Wonder Pro, CD1.1 or similar MPEG/DVD decoder on MPP 0x4 = ATI All-in-Wonder Plus 0x5 - 0xF = Reserved |
| 4 | bit [7:0] = OEM ID 0x00 = ATI product 0x01 = Intel product 0x02 = Apricot product 0x03 - 0xFF = Reserved |

Table A-3 Video Feature Structure – (Continued)

| Offset (byte) | Content |
|---------------|--|
| 5 | bit [7:0] = Revision (indicates OEM revision level, meaning changes with OEM ID code) <i>0x00 = Intel OEM ID All-in-Wonder, All-in-Wonder Pro rev 1</i> 0x01 = Intel OEM ID -used- 0x02 - 0xFF = Reserved |
| 6 | bit [3:0] = Voltage Regulator 00 = No Tuner Power Down Feature <i>01 = Tuner Power Down Feature</i> 10 = Reserved 11 = Reserved |
| 6 | bit [5:4] = Teletext <i>00 = No Teletext</i> 01 = Teletext Philips SAA5281 10 = Reserved 11 = Reserved |
| | bit [7:6] = Reserved |
| 7 | bit [7:0] = Reserved |

Highlighted bit-fields (in bold/blue) correspond to the first revision of the board (NTSC with all features).

Default board ID will be: 00 00 00 00 00 4A 7A 01 (hex).

A.27 Function 17h – Enable / Disable Video Input Capture Mode and Return Video Capture Capability

This function manages and returns information of the video capture support of the controller.

Sub-function 00h – Enable Video Input Capture Mode

Sub-function 01h – Disable Video Input Capture Mode

Sub-function 02h – Return Video Capture Capability Table

| | | | |
|-----------------|----|-------|--|
| To Call: | AL | = 17h | Enable / Disable video input capture and Return video capture capability table |
| | BL | = 00h | Enable video input capture |

| | | |
|----|-------|---------------------------------------|
| BL | = 01h | Disable video input capture |
| BL | = 02h | Return video capture capability table |

Returns: DX:BX = Segment and offset address to a table specifying the maximum capture width for “Auto Continuous” capture mode and “Host Triggered” capture mode.
 The table is terminated by 0xff in the first column
 DX:[BX - 1] = Number of bytes per row
 DX:[BX - 2] = Format type
 AL = Format type

Format Type 0

Table A-4 Format Type 0

| MEM_SIZE & COLOR_DEPTH | DOT CLOCK (MHz) | MAX CAPTURE WIDTH |
|------------------------|-----------------|-------------------|
| | | |
| | | |
| | | |
| 0xff (end of table) | | |

MEM_SIZE & COLOR_DEPTH = (Memory size << 4) | (color_depth)
 DOT CLOCK (PCLK) = Video dot clock in MHz
 MAXIMUM CAPTURE WIDTH = (Continuous Capture source width << 4) | (Single Frame Capture source width)
 == 0, Video capture cannot be supported.
 == 1, Continuous capture width <= 160
 host-triggered capture width <= 160.
 == 2, Continuous capture width <= 240
 host-triggered capture width <= 240.
 == 3, Continuous capture width <= 320
 host-triggered capture width <= 352.

Note: Each entry in the table is one byte long.

To determine if Video Capture is supported, use the following algorithm:

1. If an empty table is returned, maximum continuous capture width is 320 and maximum host-triggered capture is 352 for all supported display modes.

2. If (memory_size >= (MEM_SIZE >> 4) & color_depth == (COLOR_DEPTH & 0x0f) & dot clock <= DOTCLOCK) then the maximum video capture width size is in MAXIMUM CAPTURE WIDTH.
3. If no match can be found in the table, maximum continuous capture width is 320 and maximum host-triggered capture is 352 for all supported display modes.

Format Type 1

The resolution information is added to format type 0. This helps to bring out more capture support for high resolution display modes.

Table A-5 Format Type 1

| MEM_SIZE & COLOR_DEPTH | DOT CLOCK (MHz) | MAXIMUM CAPTURE WIDTH | RESOLUTION |
|------------------------|-----------------|-----------------------|------------|
| | | | |
| | | | |
| | | | |
| | | | |
| 0xff (end of table) | | | |

- MEM_SIZE & COLOR_DEPTH = (Memory size << 4) | (color_depth)
- DOT CLOCK (PCLK) = Video dot clock in MHz
- MAXIMUM CAPTURE WIDTH = (Continuous Capture source width << 4) | (Single Frame Capture source width)
 - == 0, Video capture cannot be supported.
 - == 1, Continuous capture width <= 160
host-triggered capture width <= 160.
 - == 2, Continuous capture width <= 240
host-triggered capture width <= 240.
 - == 3, Continuous capture width <= 320
host-triggered capture width <= 352.

RESOLUTION = Display mode information that the current table entry apply
If bit 0 set, current entry applied for display width < = 640
If bit 1 set, current entry applied for display width = 800
If bit 2 set, current entry applied for display width = 1024
If bit 3 set, current entry applied for display width = 1152
If bit 4 set, current entry applied for display width = 1280
If bit 5 set, current entry applied for display width = 1600
Bits 6 and 7 are reserved.
More than one bit can be set for table entry supporting multiple resolutions.

Note: Each entry in the table is one byte long.

To determine if Video Capture is supported, use the following algorithm:

1. If an empty table is returned, maximum continuous capture width is 320 and maximum host-triggered capture is 352 for all supported display modes.
2. If ((memory_size >= (MEM_SIZE >> 4) & color_depth == (COLOR_DEPTH & 0x0f) & dot_clock <= DOTCLOCK) & corresponding display width bit in RESOLUTION is set), then the maximum video capture width size is in MAXIMUM CAPTURE WIDTH.
3. If no match can be found in the table, maximum continuous capture width is 320 and maximum host-triggered capture is 352 for all supported display modes.

Format Type 2

This format does not use a table to store maximum capture width information. The width supported is generated dynamically and is returned in register CX. But an empty table is returned for backward compatibility reason.

To Call:

| | | | |
|----|---|-----|--|
| AL | = | 17h | Enable / Disable video input capture and Return video capture capability table |
| BL | = | 0 | Enable video input capture |
| | = | 1 | Disable video input capture |
| | = | 2 | Return video capture capability table |

Returns:

| | | |
|-------------|---|--|
| DX:[BX] | = | Segment and offset address to an empty table terminated by a 0xff in the first column |
| DX:[BX - 1] | = | 0 Number of bytes per row |
| DX:[BX - 2] | = | 2 Format type |
| AL | = | 2 Format type |
| CX | | Maximum capture width supported by the current display mode for the following scaler source format: 15 bpp aRGB 1555, 16 bpp RGB 565 YUV 9, YUV12, VYUY422 and YVYU422 = 0, 160, 240, 320, 352, 384, 640, or 720 |

**Sub-function 03h – Return Maximum Capture Width of the Specified Display Mode for the following Scaler Source
Format: 15 bpp aRGB 1555, 16 bpp RGB 565, YUV 9, YUV12, VYUY422 and YVYU422**

**Sub-function 04h – Return Maximum Capture Width of the Specified Display Mode for the following Scaler Source
Format: 32 bpp aRGB 8888**

The following two sub-functions are new for RAGE PRO series. For this new format, sub-functions 00h, 01h and 02h return the capture support for current display mode only. Sub-functions 03h and 04h provide capture support information for other display modes.

The format type must be checked prior to using the capture width data returned in register CX.

| | | | |
|-----------------|----|-------|---|
| To Call: | AL | = 17h | Enable / Disable video input capture and Return video capture capability table |
| | BL | = 03 | Return Maximum Capture Width of the Specified Display Mode for the following Scaler Source Format: 15 bpp aRGB 1555, 16 bpp RGB 565, YUV 9, YUV12, VYUY422 and YVYU422 |
| | BL | = 04 | Return Maximum Capture Width of the Specified Display Mode for the following Scaler Source Format: 32 bpp aRGB 8888 |

- CH = Color depth
- CL = Dot clock (rounded up value, e.g. 25.18Mhz becomes 26, 44.9Mhz becomes 45)
- DL = Character count of the display width

| | | |
|-----------------|-------------|--|
| Returns: | DX:[BX] | = Segment and offset address to an empty table terminated by a 0xff in the first column |
| | DX:[BX - 1] | = 0 Number of bytes per row |
| | DX:[BX - 2] | = 2 Format type |
| | AL | = 2 Format type |
| | CX | Maximum capture width supported by the specified display mode = 0, 160, 240, 320, 352, 384, 640, or 720 |

A.28 Function 18h – Reserved for UMA

A.29 Function 19h – TVOut Hooks *(not supported in LT PRO)*

| | | | |
|-----------------|-----------------------------|-------|--|
| To Call: | AL | = 19h | TVOut Hooks |
| | CL | = 0 | Return if TVOut BIOS is active and in service |
| Returns: | AL [0] | = 1 | This board should contain TVOut BIOS service or TVOut Hardware (e.g. ImpacTV or RAGE THEATER ASIC) |
| | AL [1] | = 1 | TVOut BIOS is active |
| | | = 0 | TVOut BIOS is disabled or TVOut Hardware not installed |
| | If AL [1] = 1 and AL[0] = 1 | | = Standard TVOut BIOS service (70h -7Fh) should be used |

The extended services listed below might not be available:

| | |
|--|---|
| If AL [1] = 0 and AL[0] = 0 or error code is returned in this function | = No TVOut support is required |
| If AL [1] = 0 and AL[0] = 1 | = The board should have TVOut Hardware. Yet TVOut BIOS service is disabled due to the system BIOS error or TVOut hardware not being installed |

Application should use the function below to determine whether external driver/TSR support for TVOut is required.

| | | | |
|-----------------|--------|----------|--|
| To Call: | AL | = 19h | TVOut Hooks |
| | CL | = 1 | TVOut Hardware detection |
| | AL [0] | = 0 | No TVOut Hardware is found |
| | | = 1 | TVOut Hardware is detected |
| | BX | = | TVOut Hardware setting if AL [0] = 1 |
| | CL [0] | = 0 or 1 | TVOut Address |
| To Call: | AL | = 19h | TVOut Hooks |
| | CL | = 2 | Re-initialize the graphics controller DSP values based on the new CRTC parameter setting |

DX:BX = TVOut Hardware setting if AL [0] = 1

CL [0] = Pointer to parameter table (see for structure as function AL = 0, CH = 81h)

To Call: AL = 19h TVOut Hooks

CL = 3 Get current mode dot clock

Returns: BX = Dot clock

A.30 Query Structure

The Query Structure is used by Fuction 08h and Function 09h

Table A-6 Query Structure

| Offset (byte) | Content |
|---------------|--|
| 0 - 1 | Size of structure in bytes |
| 2 | Revision of structure |
| 3 | Number of mode tables |
| 4 - 5 | Offset in bytes to mode tables |
| 6 | Size of each mode table in bytes |
| 7 | VGA Type: 0 = Disabled 1 = Enabled |

Table A-6 Query Structure (Continued)

| Offset (byte) | Content |
|---------------|---|
| 8 - 9 | ASIC identification bits [15:0] = ASIC type = 0xD700, GX-C = 0xD701, GX-D = 0xD702, GX-E = 0xD703, GX-F = 0x57xx, CX = 0x43xx, CT = 0x4341, CT-SGS = 0x4309, CT-NEC /C = 0x430A, CT-NEC/D = 0x45xx, ET = 0x47xx, GT = 0x4700, GT-A2/NEC = 0x4701, GT-B/SGS = 0x473A, RAGE IIC = 0x475A, GT-B/UMC = 0x475C, 3D RAGE PRO = 0x479A, RAGE II+ = 0x47xx, RAGE XL = 0x47xx, RAGE XC |
| 8 - 9 | bits [15:0] = ASIC type (<i>continued</i>) (cont'd) = 0x4C00, RAGE LT = 0x4Cxx, LT = 0x4CDC, 3D RAGE LT PRO = 0x53xx, ST = 0x56xx, VT = 0x5608, VT-A3 NEC = 0x5648, VT-A4 NEC = 0x5640, VT-A4 SGS = 0x5601, VT-B/SGS = 0x569A, VTB/UMC |
| 0Ah | VGA Boundary: 0 = Full access 1 = 256K 2 = 512K 3 = 768K 4 = 1M 10h = No access through VGA |
| 0Bh | Memory Size: |

Table A-6 Query Structure (Continued)

| Offset (byte) | Content | |
|---------------|--|---|
| 0 | = | 512K |
| 1 | = | 1M |
| 2 | = | 2M |
| 3 | = | 4M |
| 4 | = | 6M |
| 5 | = | 8M |
| 6 | = | 12M |
| 7 | = | 16M |
| 8 | = | 1.5M |
| 9 | = | 2.5M |
| 10 | = | 3.0M |
| 11 | = | 3.5M |
| 12 | = | 5M |
| 13 | = | 7M |
| 14 | = | 10M |
| 15 | = | 14M |
| 0Ch | bits [3:0] | DAC Type |
| | bits [7:4] | DAC subtype |
| | 00h | = Internal DAC |
| | xxx1xxxb | = Internal DAC |
| | 01h | = IBM RGB514 |
| | 02h | = TLC 34075 / ATI68875 |
| | 72h | = TVP3026 |
| | 03h | = Brooktree BT476/8 |
| | 04h | = Brooktree BT481 |
| | 14h | = AT&T20C490, AT&T20C491, AT&T20C493, SC15025/15026, IMS-G174, MU9C4910, MU9C1880 |
| | 05h | = ATI68860 RevB |
| | 15h | = ATI68860 RevC |
| | 75h | = TVP3026 |
| | 06h | = STG1700 |
| | 16h | = AT&T20C498 |
| | 07h | = STG1702 |
| | 17h | = SC15021 |
| | 27h | = AT&T21C498 |
| | 37h | = STG1703 |
| | 47h | = Chrontel CH8398 |
| | 57h | = AT&T20C408 |
| 0Dh | Memory Type (for ASIC types other than RAGE Mobility and RAGE XL/XC): | |

Table A-6 Query Structure (Continued)

| Offset (byte) | Content |
|---------------|--|
| | bits [7:4] = 0 The memory may support block write = 1 The memory does not support block write bits [3:0] 1 = DRAM 2 = EDO DRAM 3 = BRRAM / PSEUDO EDO / HYPER PAGE EDO 4 = SDRAM 5 = SGRAM 6 = WRAM |
| 0Dh | Memory Type (for RAGE Mobility and RAGE XL/XC): bits [7:4] = 0 The memory may support block write = 1 The memory does not support block write bits [3:0] 0-3 = Reserved 4 = SDRAM 1:1 64 bit 5 = SGRAM 1:1 64 bit 6 = SDRAM 2:1 32 bit 7 = SGRAM 2:1 32 bit |
| 0Eh | Bus Type: 0 = ISA 1 = EISA 2 = Reserved 3 = Reserved 4 = Reserved 5 = VLB non-multiplexed 6 = VLB 7 = PCI |
| 0Fh | bit 7 Enable composite sync bit 6 Enable sync on green |
| 10h - 11h | Aperture address in MB (0-4095) |
| 12h | Aperture configuration (see also AL = 06h "Short Query Function", page -4) |
| 13h | Color depth support bit 7 = 1 Support 32 bpp (unpack 24 bpp in xRGB, x is byte 0) bit 6 = 1 Support 32 bpp (unpack 24 bpp in BGRx, B is byte 0) bit 5 = 1 Support 32 bpp (unpack 24 bpp in RGBx, R is byte 0) bit 4 = 1 Support 32 bpp (unpack 24 bpp in xBGR, x is byte 0) bit 3 = 1 Support BGR in 24bpp bit 2 = 1 Support RGB in 24bpp bit 1 = 1 Support 16 bpp, 555 bit 0 = 1 Support 16 bpp, 565 |
| 14h | RAMDAC support feature |

Table A-6 Query Structure (Continued)

| Offset (byte) | Content | | |
|---------------|--|-----|--|
| | bit 7 | = 1 | Support sync on green |
| | bit 6 | = 1 | Support gamma correction |
| | bit 5 | = 1 | Support 256 gray scale |
| | bit 4 | = 1 | Support sleep mode |
| 15h | bit 0 | = | I/O address type (see extended function AL = 12h on page -11) |
| 16h-17h | Offset into current mode table if non-zero (not implemented) | | |
| 18h-19h | I/O base address | | |
| 1Ah-1Bh | Offset into DAC hsync pipeline delay adjust information | | |
| 1Ch-1Fh | Reserved | | |

A.31 Mode Table Structure

Mode tables immediately follow the device status table. Use the forward pointer to reference mode tables, as the device status table may expand in the future. It is possible to have no modes installed. Typically, between 2 and 7 mode tables will be returned.

Table A-7 Installed Mode Tables

| Offset (byte) | Content | | |
|---------------|--|--|--|
| | <i>Installed Mode Table 1</i> | | |
| 0 - 1 | Horizontal display resolution, in pixels | | |
| 2 - 3 | Vertical display resolution, in scan lines | | |
| 4 | Maximum pixel depth | | |
| 5 | Mode number of this mode table | | |
| 6 - 7 | Offset into EEPROM | | |
| | = 0 | Table is generated from VGA parameters | |
| | <> 0 | Offset into EEPROM table | |
| 8 - 9 | Reserved | | |
| 0Ah-0Bh | Reserved | | |

Table A-7 Installed Mode Tables (Continued)

| Offset (byte) | Content |
|------------------------------------|--|
| 0Ch-0Dh | bit 15 = Reserved bit 14 = Use external crystal if ATI18818 is used bit 13 = Enable Mux mode bit 12 = Enable Composite Sync bit 11 = Enable hsync delay in BIOS bit 10 = Reserved, used for TLC34075 bit 9 = Enable interlace bit 8 = Enable double scan bits [7:4] = Mode table type: 0 for external; 1 for internal bits [3:0] = Reserved |
| 0Eh | CRTC_H_TOTAL |
| 0Fh | CRTC_H_DISP |
| 10h | CRTC_H_SYNC_STRT |
| 11h | CRTC_H_SYNC_WID |
| 12h-13h | CRTC_V_TOTAL |
| 14h-15h | CRTC_V_DISP |
| 16h-17h | CRTC_V_SYNC_STRT |
| 18h | CRTC_V_SYNC_WID |
| 19h | CLOCK_CNTL |
| 1Ah-1Bh | Dot Clock for coprocessor mode, for programmable clock chip |
| 1Ch-1Dh | bits [15:12] = H_TOTAL in pixels format, used for TVOut only bits [11:8] = CRTC_H_SYNC_DLY bits [7:4] = OVR_WID_RIGHT bits [3:0] = OVR_WID_LEFT |
| 1Eh-1Fh | OVR_WID_TOP, OVR_WID_BOTTOM |
| 20h-21h | OVR_CLR_B, OVR_CLR_8 |
| 22h-23h | OVR_CLR_G, OVR_CLR_R |
| | Installed Mode Table 2 |
| header [6] - 2*header [6] | Entries definition same as in <i>Installed Mode Table 1</i> above |
| | . |
| | . |
| | . |
| | Installed Mode Table n |
| N*header [6] - (N+1)*header [6] | Entries definition same as in <i>Installed Mode Table 1</i> above |

A.32 EEPROM Data Structure

Table A-8 EEPROM Data Structure

| Offset (byte) | Content |
|---------------|--|
| 0 | bits [15:0] = EEPROM Write Counter |
| 1 | bits [15:8] = Checksum value for DDC data bits [7:0] = EEPROM Checksum, modular 8 of 8bit data, the summation of all the entries in the EEPROM must be 0 |
| 2 | bits [15:0] = Reserved. No application program should touch this entry. Factory default should set this field to 0 |
| 3 | bits [15:8] = Reserved bits [7:4] = 1 DDC information (DDC initialization enable) bits [3:0] = EEPROM table revision |
| 4 | bits [15:0] = Custom monitor indices |
| 5 | bits [15:9] = 1280x1024 Refresh Rate information bit 8 = 1 Select 1280x1024 in 75Hz (used with built-in CRTC parameter table) bit 7 = 1 Use stored 640x480 coprocessor parameters for coprocessor mode bit 6 = 1 Enable 640x480 72Hz bit 5 = 1 Enable 640x480 75Hz bit 4 = 1 Enable 640x480 85Hz bits [3:2] = Reserved bit 1 = Enable sync on green bit 0 = Enable composite sync |
| 6 | bits [15:8] = Reserved bit 7 = 1 Use stored 800x600 Coprocessor parameters for coprocessor mode bit 6 = Reserved bit 5 = 1 Reserved bit 4 = 1 Select 800x600 in 85Hz (used with built-in CRTC parameter table) bit 3 = 1 Select 800x600 in 56Hz (used with built-in CRTC parameter table) bit 2 = 1 Select 800x600 in 60Hz (used with built-in CRTC parameter table) bit 1 = 1 Select 800x600 in 72Hz (used with built-in CRTC parameter table) bit 0 = 1 Select 800x600 in 75Hz (used with built-in CRTC parameter table) |

Table A-8 EEPROM Data Structure (Continued)

| Offset (byte) | Content |
|---------------|---|
| 7 | bits [15:8] = Reserved |
| | bit 7 = 1 Use stored 1024x768 Coprocessor parameters for coprocessor mode |
| | bits [6:4] = Reserved |
| | bit 3 = 1 Select 1024x768 in 87Hz Interlaced (used with built-in CRTIC parameter) |
| | bit 2 = 1 Select 1024x768 in 60Hz (used with built-in CRTIC parameter table) |
| | bit 1 = 1 Select 1024x768 in 70Hz (used with built-in CRTIC parameter table) |
| | bit 0 = 1 Select 1024x768 in 75Hz (used with built-in CRTIC parameter table) |
| 8 | bits [15:8] = Power Up Video Mode 03h VGA color - secondary 05h VGA monochrome - secondary 09h VGA color - primary 0Bh VGA monochrome - primary |
| | bits [7:6] = Monochrome Mode Color Select 0 White 1 Green 2 Amber |
| | bit 5 = Dual Monitor Enable |
| | bit 4 = Font Selection at power up 0 8x14 or 9x14 1 8x16 or 9x16 |
| | bit 3 = VGA Bus I/O 0 8 bits 1 16 bits |
| | bit 2 = Zero Wait State Ram 0 Disable 1 Enable |
| | bit 1 = Zero Wait State ROM 0 Disable 1 Enable |
| | bit 0 = 16-bits ROM 0 Disable 1 Enable |

Table A-8 EEPROM Data Structure (Continued)

| Offset (byte) | Content |
|---------------|---|
| 9 | bits[15:14] = Host data transfer width 0 Auto select 1 16 bit 2 8 bit 3 8 bit host / 16bit other bits [13:8] = Monitor Code bits [7:6] = Reserved bits [5:4] = VGA boundary 0 No boundary 1 512K 2 1M bit 3 = Monitor Alias enable bits [2:0] = Monitor Alias |
| A | bits [15:4] = Aperture Location (in MB) bits [3:0] = Aperture Size (will not be used by the BIOS) If Aperture Location is non-zero, assuming that aperture will be enabled, the Aperture size will be based on Video memory size |
| B | bits [15:8] = Mouse address 00h Mouse disable 08h Secondary address selected 18h Primary address selected bits [7:0] = Interrupt Level 20h = IRQ 5 28h = IRQ 4 30h = IRQ 3 38h = IRQ 2 |
| 0Ch-1Dh | = Reserved |
| 1Fh-2Dh | = CRT Parameter Table 1 |
| 2Eh-3Ch | = CRT Parameter Table 2 |
| 3Dh-4Bh | = CRT Parameter Table 3 |
| 4Ch-5Ah | = CRT Parameter Table 4 |
| 5Bh-69h | = CRT Parameter Table 5 |
| 6Ah-78h | = CRT Parameter Table 6 |
| 79h-87h | = CRT Parameter Table 7 |
| 88h-96h | = CRT Parameter Table 8 |
| 97h-A5h | = CRT Parameter Table 9 |
| A6h-B4h | = CRT Parameter Table 10 |
| B5h-C3h | = CRT Parameter Table 11 |
| C4h-D2h | = CRT Parameter Table 12 |

Table A-8 EEPROM Data Structure (Continued)

| Offset (byte) | Content |
|---------------|--------------------------|
| D3h-E1h | = CRT Parameter Table 13 |
| E2h-F0h | = CRT Parameter Table 14 |
| F1h-FFh | = CRT Parameter Table 15 |

A.33 CRT Parameter

Table A-9 RAGE PRO CRT Parameter Table

| Offset (word) | Content |
|---------------|---|
| 0 | bits [15:8] = Video Mode Select 1 / Reserved bits [7:0] = Video Mode Select 2 / Reserved |
| 1 | bits [15:8] = Video Mode Select 3 / Video Mode Select bits [7:0] = CRT Refresh Rate bit mask / (bit 7 = 1 if the parameter is in coprocessor mode) |
| 2 | bits [15:14] = Reserved bit 13 = Enable Mux mode bit 12 = Enable Composite Sync bit 11 = Enable Hsync delay adjust in BIOS bit 10 = Reserved, used for TLC34075 bit 9 = Enable interlace bit 8 = Enable double scan bit 7 = Vertical Sync Polarity (VGA only) bit 6 = Horizontal Sync Polarity (VGA only) bit 5 = Reserved (used by INSTALL.EXE) bit 4 = CRT Usage (VGA only): 0 = Use Sync polarities only 1 = Use all CRT parameters bits [3:0] = Reserved |
| 3 | bits [15:8] = MAX_SCAN_LINE(CRT09) / CRTC_H_DISP bits [7:0] = H_TOTAL(CRT00) / CRTC_H_TOTAL |
| 4 | bits [15:8] = H_RETRACE_END(CRT05) / CRTC_H_SYNC_WID bits [7:0] = H_RETRACE_STRT(CRT04) / CRTC_H_SYNC_STRT |
| 5 | bits [15:8] = V_RETRACE_END(CRT11) / CRTC_V_TOTAL bits [7:0] = V_RETRACE_STRT(CRT10) / CRTC_V_TOTAL |
| 6 | bits [15:8] = H_BLANK_END(CRT03) / CRTC_V_DISP bits [7:0] = H_BLANK_STRT(CRT02) / CRTC_V_DISP |

Table A-9 RAGE PRO CRT Parameter Table (Continued)

| Offset (word) | Content |
|---------------|---|
| 7 | bits [15:8] = V_BLANK_END(CRT16) / CRTC_V_SYNC_STRT bits [7:0] = V_BLANK_STRT(CRT15) / CRTC_V_SYNC_STRT |
| 8 | bits [15:8] = CRTC_OVERFLOW(CRT07) / CLOCK_CNTL (If == 0ffh or == programmable entry in clock chip, use Dot Clock in entry 9 and programmable entry in Dot Clock) bits [7:0] = V_TOTAL(CRT06) / CRTC_V_SYNC_WIDTH |
| 9 | bits [15:8] = V_DISP_END(CRT12) / Dot Clock bits [7:0] = CRT_MODE(CRT17) / Dot Clock |
| A | bits [15:12] = Reserved bits [11:8] = CRTC_H_SYNC_DLY bits [7:4] = OVR_WID_RIGHT bits [3:0] = OVR_WID_LEFT |
| B | bits [15:0] = OVR_WID_TOP, OVR_WID_BOTTOM |
| C | bits [15:0] = OVR_CLR_B, OVR_CLR_8 |
| D | bits [15:0] = OVR_CLR_G, OVR_CLR_R |
| E | bits [15:0] = Reserved |

A.34 Scratch Registers

Table A-10 Scratch Registers

| Scratch Register | Content |
|------------------|--|
| SCRATCH_REG0 | (base address + 80h) bit 7 = Internal 1600 CRTC parameter will be used bit 6 = 640x480 72Hz bit 5 = 640x480 75Hz bit 4 = 640x480 85Hz bit 3 = TVOut, ON/OFF state bit 2 = Reserved bits [1:0] = Graphics controller power management states |
| SCRATCH_REG0 + 1 | 800x600 refresh rate information (base address + 81h) bit 7 = External CRTC table indicator bits [6:0] = 800x600 refresh mask |
| SCRATCH_REG0 + 2 | Reserved (can be 1280x1024) (base address + 82h) bit 7 = DDC2 detected state bit 6 = Reserved bits [5:0] = 1280x1024 refresh mask |

Table A-10 Scratch Registers (Continued)

| Scratch Register | Content |
|------------------|--|
| SCRATCH_REG0 + 3 | 1024x768 refresh rate information (base address + 83h) bit 7 = Not used bits [6:0] = 1024x768 refresh mask |
| SCRATCH_REG1 | ROM location (base address + 84h) |
| SCRATCH_REG1 + 1 | (base address + 85h) bits [7:6] = Not used bits [5:4] = Feature connector information bit 3 = VBE20 used bit 2 = If set, disable the programming of DAC to VGA mode when INT 10h is called. For RAGE LT, Mobility, XL/XC, when set it indicates to the BIOS that Windows NT is running. This is used for a bug fix in the video mode setting under Windows NT. bit 1 = Reserved bit 0 = Sync on green enable. Not used for RAGE LT, RAGE Mobility, or RAGE XL/XC. |
| SCRATCH_REG1 + 2 | (base address + 86h) bits [7:6] = CRTC pitch size bit 5 = Mux mode bit 4 = Enable gamma correction or 256 color grey scale bit 3 = 32bpp color orientation information bit 2 = TLC34075 output clock select or TVP3026 15/16bpp information, VGA Emulation State bit 1 = 32bpp color orientation information bit 0 = Current gamma correction or 256 color state |
| SCRATCH_REG1 + 3 | (base address + 87h) TVOut Information (3D RAGE PRO, RAGE IIC, 3D RAGE LT PRO, RAGE Mobility, and RAGE XL) or Programmable Pixel Clock (older controllers with external clock chip) or Reserved (RAGE XC or no-TVOut BIOS) If used for TVOut Info: bit 7 = TV is connected if set bit 6 = TV / CRT switch request flag bit 5 = TV / CRT auto switch flag bit 4 = Reserved bits [3:0] = TVOut TV Standard (see Table 8-4 for the list) |

Table A-10 Scratch Registers (Continued)

| Scratch Register | Content |
|------------------|--|
| 1CE/BB | <p>This register exists with VGA enable and in GX and CX controllers only</p> <p>bits [7:6] = 640x480 refresh rate information</p> <p>bits [5:4] = Monochrome mode, color information</p> <p>bit 1 = If set, use VGAWONDER compatible paging mechanism in packed pixel mode</p> <p>bit 0 = If set, disable the programming of DAC to VGA mode when INT 10h is called</p> |

A.35 ROM Header

There is some information stored in the ROM header. This information is not intended for application program development.

Table A-11 ROM Header Information

| Offset (byte) | Content |
|---------------|--|
| -1, -2 | Size of the structure in number of byte |
| 0 | = 0 Type definition |
| 1 | Extended function code (0a0h, 0a1h...etc.) |
| 2 | BIOS internal revision, major |
| 3 | BIOS internal revision, minor |
| 4 - 5 | I/O address, for sparse only |
| 6 - 7 | Reserved |
| 8 - 9 | Reserved |
| 10 -11 | Reserved |
| 12 - 13 | DRAM memory cycle in extended and VGA |
| 14 - 15 | VRAM memory cycle in extended and VGA |
| 16 - 17 | Pointer to frequency table |
| 18 - 19 | Pointer to log-on message |
| 20 - 21 | Pointer to miscellaneous information |
| 22 - 23 | PCI, Bus, Dev, Init code |
| 24 - 25 | Reserved |
| 26 - 27 | I/O base address if non-zero, block I/O enable |
| 28 - 29 | Reserved (used) |
| 30 - 31 | Reserved (used) |
| 32 - 33 | Reserved (used) |

Table A-11 ROM Header Information (Continued)

| Offset (byte) | Content |
|---------------|---|
| 34 - 35 | Int 10h offset, Coprocessor Only BIOS |
| 36 - 37 | Int 10h segment, Coprocessor Only BIOS |
| 38 - 39 | Monitor information, OEM specific |
| 40 - 43 | 4K memory mapped location |
| 44 - 47 | Reserved (used) |
| 48 - 49 | TVOut (see below for details) |
| 50 - 55 | 0ffffh, 0, 0ffffh |
| 56 - 57 | BIOS runtime address |
| 58 - 59 | Reserved (used) |
| 60 - 61 | Feature ID |
| 62 - 63 | Subsystem vendor ID |
| 64 - 65 | Subsystem ID |
| 66 - 67 | Device ID |
| 68 - 69 | Pointer to Config string |
| 70 - 71 | Pointer to Video Feature table (see also AL = 16h on page -17). Exits only if "MMEDIA" exists; "MMEDIA" is located at offset - 8 bytes |
| 72 - 73 | Pointer to Hardware Info table (see below for details) |
| 74 - 89 | \$??? Signatures indicating pointers to hardware information table, and Multi-TV Standard table (optional) |

The following code will locate the ROM header and extract the PCI bus device information from the ROM header.

```

unsigned far *ip;
char      far *cp;
FP_SEG(ip) = RomLocation( ); /* assume RomLocation() will return the ROM segment */
                          /* address */

FP_OFF(ip) = 0x48;          /* pointer to the ROM header */
FP_OFF(ip) = ip[0];        /* update array pointer to point to the ROM header */
FP_SEG(cp) = FP_SEG(ip);   /* update byte pointer to point to the ROM header as well */
FP_OFF(cp) = FP_OFF(ip);

PciBusDev = ip[11];        /* get the pci bus dev word */

```

A.35.1 TVOut Information

This information exists only when `ip[48 >> 1] ≠ 0xFFFF`.

Table A-12 TVOut Information

| Bits | Content |
|-------|---|
| 3 - 0 | TV Standard = 0000 NTSC = 0001 PAL = 0010 PAL-M = 0011 PAL-60 = 0100 NTSC-J = 0101 PAL-CN = 1001 SCART-PAL |
| 5 - 4 | TV / CRT = 00 Invalid = 01 TV off / CRT on = 10 TV on / CRT off = 11 TV on / CRT on |
| 7 - 6 | TVOut Reference Frequency = 00 29.498928713 MHz = 01 28.636360000 MHz = 10 14.318180000 MHz = 11 27.000000000 MHz |

A.35.2 Hardware Information Table

This table exists when the Hardware Information table signature, "\$ATI", exists in the BIOS.

ip[72 >> 1] = pointer to Hardware Information table

Table A-13 Hardware Information

| Offset (byte) | Content |
|---------------|--|
| 0 - 3 | Hardware Info table signature string, "\$ATI" |
| 4 | Hardware Info table revision |
| 5 | Hardware Info table size (8 - 10 bytes, depending on table revision) |

Table A-13 Hardware Information (Continued)

| Offset (byte) | Content |
|---------------|--|
| 6 | I2C_Type (for AMC connector) bits [3:0] = 0 Normal GP_IO 1 TVOut GP_IO 2 Dedicated I ² C Pin (RAGE PRO only) 3 Clock pin = GIO 13, Data pin = GIO 12 (LT PRO and RAGE XC only) 4 Clock pin = GIO 10, Data pin = GIO 12 (LT PRO only) 15 No AMC bits [7:4] = Reserved |
| 7 | TVOut Support bits [3:0] = 1 TVOut 1 supported = 2 TVOut 2 supported = 3 Improved TVOut 2 supported = 4 RAGE THEATER supported These bits are defined for table revision 2 and up: bits [6:4] = 0 TVOut not installed = 1 28.62636 MHz crystal = 2 29.48989 MHz crystal = 3 27.0 MHz crystal = 4 14.31818 MHz crystal bit 7 = 0 Uses MPP1 data port or integrated TVOUT (default) = 1 Uses MPP2 data port |
| 8 | Video Port Capture (Table Revision 1 and up) bits [3:0] = 0 No video port capture bit 0 = 1 AMC/DVS0 video port supported bit 1 = 1 Zoom video port supported bit 2 = 1 AMC/DVS1 video port supported bit 3 = 1 VIP 16 bit port supported bits [4:7] Reserved |
| 9 | Host Port Configuration (Table Revision 2 and up) bits [3:0] = 0 No host port = 1 MPP host port = 2 2-bit VIP host port = 3 4-bit VIP host port = 4 8-bit VIP host port = 5-15 Reserved bits [4:7] = Reserved |

A.35.3 Multiple TV Standard Feature

This table exists when the Multi-TV Standard Table signature, "\$TVS" exists in the BIOS header. The pointer to the table is located immediately following this signature, if it exists. The format of the Multi-TV Standard table is described in detail in the ATI TV Standard Boot-Up Detection Document.

A.35.4 BIOS Driver Information Table

This table is supported by the 3D RAGE LT PRO, RAGE Mobility, RAGE XL, and RAGE XC BIOS's. It is used to inform the Windows device drivers of pertinent hard-coded information in the BIOS for each of those products.

Table A-14 Driver Information Table

| Offset (byte) | Content |
|---------------|--|
| 0 - 3 | Driver Information table signature string '\$LPT' 3D RAGE LT PRO table signature '\$RMT' RAGE Mobility table signature '\$XCT' RAGE XC table signature '\$XLT' RAGE XL table signature |
| 4 | Driver Information table revision |
| 5 | Driver Information table size |
| 6 - 7 | Pointer to internal CRT parameter table (see Table 8-4 for format) |
| 8 - 9 | Internal CRT parameter table data size |
| 10 - 11 | No Panel Support = 0 |
| | Panel Support = pointer to hard-coded Panel Info Table If pointer to Panel EDID Override Table exists, then driver should ignore this pointer. |
| 12 - 13 | RAGE XC or no TVOut = 0 |
| | RAGE LT Pro or Mobility = pointer to table of pointers to all of the TV standard mode tables |
| | RAGE XL = pointer to the single run-time TV standard mode table |
| 14 - 15 | REFERENCE_DIVIDER= reference divider for the DAC |
| 16 - 17 | MIN_FREQ = minimum pixel clock frequency supported |
| 18 - 19 | MIN_FREQ = maximum pixel clock frequency supported |
| 20 - 21 | MIN_FREQ = reference frequency |

Table A-14 Driver Information Table (Continued)

| Offset (byte) | Content |
|---------------|---|
| 22 - 23 | Pointer to Hardware Information Table |
| 24 - 25 | Pointer to Video Feature (Multimedia) Table (0 if table does not exist) |
| 26 - 27 | Pointer to Panel EDID Override Table (0 if table does not exist) |

A.35.5 Panel EDID Override Table

This table is supported by the RAGE XL BIOS. It is used in cases where the EDID data returned from a Digital Flat Panel is known to be incorrect. The BIOS and drivers should first read the Manufacturer Id and Product Id from the panel and then search this table to determine if there is data that should be used in place of that read from the panel.

A pointer to this table is included in the Driver Information Table for the RAGE XL BIOS.

Table A-15 Panel EDID Override Table

| Offset (byte) | Content |
|---------------|---|
| 0-n | Table of word (16 bit) pointers, each to a specific OEM panel EDID override entry |
| n+1, n+2 | 0x0000 indicates end of pointer list |

Each panel EDID override entry in the table is formatted as follows. Refer to the VESA EDID Specification for further details:

Table A-16 Panel EDID Override Table Format

| Offset (byte) | Content |
|---------------|---|
| 0 - 1 | EISA Manufacturer ID |
| 2 - 3 | Vendor Assigned Unique Product ID |
| 4 - 21 | 18 byte Detail Timing Block of Highest resolution supported by both the panel and controller hardware |
| 22 | Panel Config byte 0 (PCLK and Panel Type) |
| 23 | Panel Config Byte 2 (DE, SCK, Hsyn, Vsyn polarities) |
| 24 - 25 | Reserved (default 0) |

This page intentionally left blank.

Appendix B

3D RAGE LT PRO and RAGE Mobility Specific Functions

B.1 Introduction

This chapter describes the *3D RAGE LT PRO* and *3D RAGE Mobility* specific BIOS extensions for all the products of the series.

B.2 Function Calls

Base ROM address is determined by the register SCRATCH_REG1 (base_address + 084h) and the ROM services are accessible by absolute calls at this address with the following instructions.

CALL ROM_ADDR:64h
where ROM_ADDR = (SCRATCH_REG1 & 0x7F) * 0x80 + 0xC000

Another way to invoke the extended ROM service is by calling a INT 10h with AH=0A0h.

B.3 Extended ROM Services

This chapter will discuss only the *3D RAGE LT PRO* and *3D RAGE Mobility* specific implementation. Information generic to the RAGE PRO product family will be referenced back to the corresponding documentation.

The Video States save and restore are supported through the standard RAGE PRO BIOS extension AL=014h or through the VESA VBE 2.0 functions. No *3D RAGE LT PRO* and *3D RAGE Mobility* specific interface will be required.

The Video memory can be saved through the memory aperture. The memory aperture location and size of the video memory is returned through the standard RAGE PRO BIOS extension AL=006h. No *3D RAGE LT PRO* and *3D RAGE Mobility* specific interface will be required.

The Power Management will be supported through the standard RAGE PRO BIOS

extension AL=00Eh. No 3D RAGE LT PRO and 3D RAGE Mobility specific interface will be required.

B.4 Function 80h - Return Panel Type and Controller Supported Information

This function is intended for diagnostic support and may not have a real application purpose. The tables included are OEM specific and the information returned depends on the controller and panel used by the OEM.

To Call: AL = 80h Return panel type and controller supported information

Returns: DX:DI = Pointer to a data structure that would identify the capabilities of the controller and types of panel that can be supported in the BIOS and their corresponding identification code (see Table B-1).

The following tables are OEM specific and the information returned will depend on the controller and a panel used by the OEM.

Table B-1 Header Information

| Offset (byte) | Content |
|---------------|---|
| 0 - 1 | Data structure type, will be 0 |
| 2 - 9 | ATI signature string |
| 10 - 17 | OEM signature string |
| 18 - 19 | bit 0 = 0 Reserved bit 1 = 0 Reserved bit 2 = 1 If inverse video is supported bit 3 = 1 If shading control is supported bit 4 = 1 If contrast control is supported bit 5 = 1 If brightness control is supported bit 6 = 1 If positioning is supported bit 7 = 1 If expansion is supported bit 8 = 1 If text cursor size control is supported bit 9 = 1 If text cursor blinking control is supported bit 10 = 1 If hardware ICON is supported bit 11 = 1 If color dithering is supported bits 15 - 12 = Reserved |

Table B-1 Header Information (Continued)

| Offset (byte) | Content |
|--------------------------|---|
| 20 - 21 | Offset into the panel information table with panel ID 0, DX is the segment |
| 22 - 23 | Offset into the panel information table with panel ID 1, DX is the segment |

Table B-1 Header Information (Continued)

| Offset (byte) | Content |
|---------------|---|
| 24 - 25 | Offset into the panel information table with panel ID 2, DX is the segment |
| . | . |
| . | . |
| . | . |
| 82 - 83 | Offset into the panel information table with panel ID 31, DX is the segment |
| 84 - 95 | Reserved |

Table B-2 Panel Information

| Offset (byte) | Content |
|---------------|--|
| 0 | Panel identification (000h - 01Fh) |
| 1 - 24 | Panel identification string |
| 25 - 26 | Horizontal size in pixels |
| 27 - 28 | Vertical size in lines |
| 20 - 30 | Flat panel type bit 0 = 0 Monochrome = 1 Color bit 1 = 0 Single panel construction = 1 Dual (split) panel construction bits 7 - 2 = 0 STN (passive matrix) = 1 TFT (active matrix) = 2 Active addressed STN = 3 EL = 4 Plasma bits 15 - 8 = Reserved |
| 31 | Red bits per primary |
| 32 | Green bits per primary |
| 33 | Blue bits per primary |
| 34 | Reserved bits per primary |
| 35 - 38 | Size in KB of off screen memory required for frame buffer |
| 39 - 42 | Pointer to reserved off screen memory for frame buffer |
| 43 - 55 | Reserved |
| 56 | Power sequence delay |

Table B-2 Panel Information (Continued)

| Offset (byte) | Content |
|---------------|---|
| 57 - 60 | <p>bits 2 - 0 Panel format:</p> <p>For split-panel color STN panels</p> <p>= 000 PACK6 (12-bit interface, 6-bit to upper panel, 6-bit to lower panel)</p> <p>= 001 PACK8 (16-bit interface, 8-bit to upper panel, 8-bit to lower panel)</p> <p>= 010 PACK12 (24-bit interface, 12-bit to upper panel, 12-bit to lower panel)</p> <p>For single-panel color STN panels</p> <p>= 000 PACK12 (12-bit interface)</p> <p>= 001 PACK16 (16-bit interface)</p> <p>For TFT panels</p> <p>= 000 8-color panel (111 RGB)</p> <p>= 001 512-color panel (333 RGB)</p> <p>= 010 4096-color panel (444 RGB)</p> <p>= 100 18-bit/pixel panel (666 RGB, LT mode)</p> <p>= 101 24-bit/pixel panel (888 RGB)</p> <p>= 110 18-bit/pixel panel (666 RGB, FPDI-2 mode)</p> <p>bit 3 = Reserved</p> <p>bit 7 - 4 Panel type</p> <p>= 0001 Split panel STN color</p> <p>= 0011 Single panel STN color</p> <p>= 0111 Color TFT (1 pixel per clock)</p> <p>= 1111 Color TFT (2 pixels per clock)</p> <p>bits 10 - 8 Gray scale level</p> <p>= 000 Indicates no frame modulation should be done (applies only to TFT panels)</p> <p>= 001 2 levels of gray support (applies only to TFT panels)</p> <p>= 010 4 levels of gray support (applies only to TFT panels)</p> <p>= 011 8 levels of gray support (applies only to STN panels)</p> <p>100 16 levels of gray support (applies only to STN panels)</p> <p>110 64 levels of gray support (applies only to STN panels)</p> |

Table B-2 Panel Information (Continued)

| Offset (byte) | Content |
|---|--|
| 57 - 60 | bits 12 - 11 External LVDS clock |
| | = 00 Disabled |
| | = 01 Output VCLK on LCDTMG(0) pin |
| | = 10 Output VCLK/2 on LCDTMG(0) pin |
| | bit 13 Cursor blink rate |
| | = 0 Same as CRT |
| | = 1 Blink every 32 frame |
| | bits 15 - 14 Reserved |
| | bit 16 Active frame pulse / VSYNC |
| | = 0 Active high frame pulse / VSYNC |
| | = 1 Active low frame pulse / VSYNC |
| | bit 17 Active line pulse / HSYNC |
| | = 0 Active high line pulse / HSYNC |
| | = 1 Active low line pulse / HSYNC |
| | bit 18 Active display enable / MOD |
| | = 0 Active high display enable / MOD |
| | = 1 Active low display enable / MOD |
| | bit 19 Active shift clock / PCLK |
| | = 0 Active high shift clock / PCLK |
| | = 1 Active low shift clock / PCLK |
| | bit 21 - 20 Dithering |
| | = 00 Disable dithering |
| | = 01 Dither to 4 bits |
| | = 10 Dither to 5 bits |
| | = 11 Dither to 6 bits |
| | bit 22 Reserved |
| | bit 23 Back light modulation clock selection |
| | = 0 29 MHz |
| | = 1 29 MHz divided by 3 |
| | bits 25 - 24 Back light brightness level (RAGE LT PRO) |
| = 00 Dimmest | |
| = 11 Brightest | |
| = Reserved (RAGE Mobility) | |
| bits 27 - 26 Contrast level (RAGE LT PRO) | |
| = 00 Dimmest | |
| = 11 Brightest | |
| = Reserved (RAGE Mobility) | |

Table B-2 Panel Information (Continued)

| Offset (byte) | Content | |
|---------------|--------------|--|
| 57 - 60 | bits 31 - 28 | HSYNC delay for the LCD panel = 0000 No delay = 0001 Delay by 1 VCLK = 0010 Delay by 2 VCLKs = 0011 Delay by 3 VCLKs = 0100 Delay by 4 VCLKs = 0101 Delay by 5 VCLKs = 0110 Delay by 6 VCLKs = 0111 Delay by 7 VCLKs = 1000 Delay by 8 VCLKs = 1001 Delay by 9 VCLKs = 1010 Delay by 10 VCLKs = 1011 Delay by 11 VCLKs = 1100 Delay by 12 VCLKs = 1101 Delay by 13 VCLKs = 1110 Delay by 14 VCLKs = 1111 Delay by 15 VCLKs |
| 61 | bit 0 | = 0 If non-LVDS interface is used = 1 If LVDS interface is used |
| | bits 3 - 1 | = Reserved |
| | bits 7 - 4 | Default refresh rate = 0000 50 Hz = 0001 56 Hz = 0010 60 Hz = 0011 67 Hz = 0100 70 Hz = 0101 72 Hz = 0110 75 Hz = 0111 76 Hz = 1000 85 Hz = 1001 90 Hz = 1010 100 Hz = 1011 120 Hz = 1100 140 Hz = 1101 150 Hz = 1110 160 Hz = 1111 200 Hz |

Table B-2 Panel Information (Continued)

| Offset (byte) | Content |
|---------------|--|
| 62 - 63 | Supported refresh rate bit 0 = 1 If 50 Hz is supported bit 1 = 1 If 56 Hz is supported bit 2 = 1 If 60 Hz is supported bit 3 = 1 If 67 Hz is supported bit 4 = 1 If 70 Hz is supported bit 5 = 1 If 72 Hz is supported bit 6 = 1 If 75 Hz is supported bit 7 = 1 If 76 Hz is supported bit 8 = 1 If 85 Hz is supported bit 9 = 1 If 90 Hz is supported bit 10 = 1 If 100 Hz is supported bit 11 = 1 If 120 Hz is supported bit 12 = 1 If 140 Hz is supported bit 13 = 1 If 150 Hz is supported bit 14 = 1 If 160 Hz is supported bit 15 = 1 If 200 Hz is supported |
| 64 - 97 | Array of offsets into mode tables, DX is the segment, and the end of the array will have an offset of 00000h |

Table B-3 Mode Table Structure

| Offset (byte) | Content |
|---------------|--|
| 0 - 1 | Horizontal display resolution in pixels |
| 2 - 3 | Vertical display resolution in lines |
| 4 | bit 0 = 1 If mode table is for VGA mode bit 1 = 1 If mode table is for coprocessor mode bit 2 = 1 If ImpacTV is supported bits 7 - 3 = Reserved |
| 5 - 6 | Offset into parameter table for expansion |
| 7 - 8 | Offset into table of parameter tables for ImpacTV support |
| 9 - 10 | Pixel clock |
| 11 - 12 | Pixel clock adjustment |
| 13 - 16 | bits 10 - 0 = FP_POS bits 31 - 11 = Reserved |
| 17 - 18 | bits 8 - 0 = CRTC_H_TOTAL bit 9 = Reserved bits 15 - 10 = OVR_WID_LEFT |

Table B-3 Mode Table Structure (Continued)

| Offset (byte) | Content |
|---------------|--|
| 19 - 20 | bits 8 - 0 = CRTC_H_DISP bit 9 = Reserved bits 15 - 10 = OVR_WID_RIGHT |
| 21 - 22 | bits 8-0 = CRTC_H_SYNC_STRT bits 11-9 = CRTC_H_SYNC_DLY bits 15-12 = HSYNC_DELAY |
| 23 | bits 5 - 0 = CRTC_H_SYNC_WID bits 7 - 6 = Reserved |
| 24 - 25 | bits 10 - 0 = CRTC_V_TOTAL bits 15 -11 = OVR_WID_TOP (4:0) |
| 26 - 27 | bits 10 - 0 = CRTC_V_DISP bits 15 -11 = OVR_WID_BOTTOM (4:0) |
| 28 - 29 | bits 10 - 0 = CRTC_V_SYNC_STRT bits 15 -11 = CRTC_V_SYNC_WID |
| 30 | bits 3 - 0 = OVR_WID_TOP (8:5) bits 7 - 4 = OVR_WID_BOTTOM (8:5) |

Table B-4 Expansion Mode Table Structure

| Offset (byte) | Content |
|---------------|--|
| 0 - 1 | Pixel clock |
| 2 - 3 | Pixel clock adjustment |
| 4 - 7 | bits 10 - 0 = FP_POS bit 31 - 11 = Reserved |
| 8 - 9 | bits 8 - 0 = CRTC_H_TOTAL bit 9 = Reserved bits 15 -10 = OVR_WID_LEFT |
| 10 - 11 | bits 8 - 0 = CRTC_H_DISP bit 9 = Reserved bits 15 -10 = OVR_WID_RIGHT |
| 12 - 13 | bits 8 - 0 = CRTC_H_SYNC_STRT bits 11 - 9 = CRTC_H_SYNC_DLY bits 15 - 12 = HSYNC_DELAY |
| 14 | bits 5 - 0 = CRTC_H_SYNC_WID bits 7 - 6 = Reserved |
| 15 - 16 | bits 10 - 0 = CRTC_V_TOTAL bits 15 - 11 = OVR_WID_TOP (4:0) |
| 17 - 18 | bits 10 - 0 = CRTC_V_DISP bits 15 - 11 = OVR_WID_BOTTOM (4:0) |

Table B-4 Expansion Mode Table Structure (Continued)

| Offset (byte) | Content |
|---------------|--|
| 19 - 20 | bits 10 - 0 = CRTC_V_SYNC_STRT bits 15 - 11 = CRTC_V_SYNC_WID |
| 21 | bits 3 - 0 = OVR_WID_TOP (8:5) bits 7 - 4 = OVR_WID_BOTTOM (8:5) |
| 22 - 23 | HORZ_BLEND_RATIO |
| 24 - 27 | Vertical stretching for VGA mode bits 9 - 0 = VERT_STRETCH_RATIO0 bits 19 - 10 = VERT_STRETCH_RATIO1 bits 29 - 20 = VERT_STRETCH_RATIO2 bits 31 - 30 = Reserved = |
| 28 - 29 | Vertical stretching for coprocessor mode bits 9 - 0 = VERT_STRETCH_RATIO0 bits 15 - 10 = Reserved |
| 30 - 31 | Extended vertical stretching for VGA mode bits 9 - 0 = VERT_STRETCH_RATIO3 bits 15 - 10 = Reserved |

Table B-5 Parameter Tables for ImpactTV Support

| Offset (byte) | Content |
|---------------|---|
| 0 - 1 | Offset into parameter table for ImpactTV NTSC |
| 2 - 3 | Offset into parameter table for ImpactTV PAL |
| 4 - 5 | Offset into parameter table for ImpactTV PAL-M |
| 6 - 7 | Offset into parameter table for ImpactTV PAL-CN |
| 8 - 9 | Offset into parameter table for ImpactTV PAL-N |

Table B-6 ImpactTV Mode Table Structure

| Offset (byte) | Content |
|---------------|---|
| 0 - 1 | Pixel clock |
| 2 - 3 | Pixel clock adjustment |
| 4 - 7 | bits 10 - 0 = FP_POS bits 31 - 11 = Reserved |
| 8 - 9 | bits 8 - 0 = CRTC_H_TOTAL bit 9 = Reserved bits 15 - 10 = OVR_WID_LEFT |
| 10 - 11 | bits 8 - 0 = CRTC_H_DISP bit 9 = Reserved bits 15 - 10 = OVR_WID_RIGHT |
| 12 - 13 | bits 8 - 0 = CRTC_H_SYNC_STRT bits 11 - 9 = CRTC_H_SYNC_DLY bits 15 - 12 = HSYNC_DELAY |
| 14 | bits 5 - 0 = CRTC_H_SYNC_WID bits 7 - 6 = Reserved |
| 15 - 16 | bits 10 - 0 = CRTC_V_TOTAL bits 15 - 11 = OVR_WID_TOP (4:0) |
| 17 - 18 | bits 10 - 0 = CRTC_V_DISP bits 15 - 11 = OVR_WID_BOTTOM (4:0) |
| 19 - 20 | bits 10 - 0 = CRTC_V_SYNC_STRT bits 15 - 11 = CRTC_V_SYNC_WID |
| 21 | bits 3 - 0 = OVR_WID_TOP (8:5) bits 7 - 4 = OVR_WID_BOTTOM (8:5) |
| 22 - 23 | HORZ_BLEND_RATIO |
| 24 - 27 | Vertical stretching for VGA mode bits 9 - 0 = VERT_STRETCH_RATIO0 bits 19 - 10 = VERT_STRETCH_RATIO1 bits 29 - 20 = VERT_STRETCH_RATIO2 bits 31 - 30 = Reserved |
| 28 - 29 | Vertical stretching for coprocessor mode bits 9 - 0 = VERT_STRETCH_RATIO0 bits 11 - 10 = Reserved bits 15 - 12 = TVO_H_TOT_PIX |
| 30 - 31 | Extended vertical stretching for VGA mode bits 9 - 0 = VERT_STRETCH_RATIO3 bits 15 - 10 = Reserved |

B.5 Function 81h - Return Panel Identity Information

This function allows checking for current attached flat panel device identification.

To Call: AL = 81h Return Panel Identity Information

Returns: CL [4 - 0] = Panel identity (see Function 80h)
CL [7 - 5] = 000b Reserved
DX:DI = Pointer to the panel definition (see Function 80h)

B.6 Function 82h – VESA BIOS Extensions / Flat Panel Functions

This section describes the VESA BIOS Extension Subfunctions for Flat Panels (VBE/FP Functions) as they pertain to the *3D RAGE LT PRO* and *3D RAGE Mobility* controllers.

Reserved values should always be set to the value zero (0).

Sub-function 01h – *Return Flat Panel Information*

To Call: AL = 82h VBE / FP Functions
BL = 01h Return flat panel information

Returns: DX:DI = Pointer to flat panel information structure (see Table B-7).

Comments: This sub-function returns information about the current attached flat panel device.

Table B-7 Flat Panel Information Structure

| Offset (byte) | Content |
|---------------|--|
| 0 - 1 | Horizontal size in pixels |
| 2 - 3 | Vertical size in lines |
| 4 - 5 | Flat panel type bit 0 = 0 Monochrome = 1 Color bit 1 = 0 Single panel construction = 1 Dual (split) panel construction bits 7 - 2 = 0 STN (passive matrix) = 1 TFT (active matrix) = 2 Active addressed STN = 3 EL = 4 Plasma bits 15 - 8 = Reserved |
| 6 | Red bits per primary |
| 7 | Green bits per primary |
| 8 | Blue bits per primary |
| 9 | Reserved bits per primary |
| 10 - 13 | Size in KB of off screen memory required for frame buffer |
| 14 - 17 | Pointer to reserved off screen memory for frame buffer |
| 18 - 31 | Reserved |

Sub-function 02h – *Return/Select Inverse Video*

This sub-function provides for checking/setting the current state of screen inversion being an ability to display black text/graphics on a white background.

To Call:

| | | |
|----|-------|-----------------------------|
| AL | = 82h | VBE/FP function |
| BL | = 02h | Return/select inverse video |
| BH | = 00h | Return request |

Returns:

| | | |
|------------|-------------------------------|--|
| BL | = Current polarity state | |
| BL [0] | = 1 | Text modes inverted |
| BL [1] | = 1 | Graphics modes inverted |
| BL [7 - 2] | = 000000b | Reserved |
| BH | = Available polarity settings | |
| BH [0] | = 1 | Text inverse available |
| BH [1] | = 1 | Graphics inverse available |
| BH [2] | = 1 | Text and Graphics inverse must be the same |
| BH [7 - 3] | = 00000b | Reserved |

Comments: Not supported in RAGE LT PRO and RAGE Mobility.
Available settings must be tested prior to using “set” command.

To Call:

| | | |
|------------|--------------------------|-----------------------------|
| AL | = 82h | VBE/FP function |
| BL | = 02h | Return/select inverse video |
| BH | = 01h | Select request |
| CL | = Active polarity to set | |
| CL [0] | = 1 | Inverse text modes |
| CL [1] | = 1 | Inverse graphics modes |
| CL [7 - 2] | = 000000b | Reserved |

Comments: Not supported in RAGE LT PRO and RAGE Mobility.
When bit 2 in “available settings” is set (BH [2] = 1), bits 0 and 1 must be set accordingly. Otherwise the inverse will be turned “off”.

Sub-function 03h – Return/Select Flat Panel Shading Options

This sub-function provides for an end user the ability to select from a range of OEM supplied shading options.

To Call:

| | | | |
|----|---|-----|--|
| AL | = | 82h | VBE/FP function |
| BL | = | 03h | Return/select flat panel shading options |
| BH | = | 00h | Get number of shading options request |

Returns:

| | | |
|----|---|---------------------------|
| CL | = | Number of shading options |
| CH | = | Current shading option |

To Call:

| | | | |
|----|---|-----|--|
| AL | = | 82h | VBE/FP function |
| BL | = | 03h | Return/select flat panel shading options |
| BH | = | 01h | Select option request |
| CH | = | | Shading option number to set |

Comments: Valid shading option to set is 1 to the number of shading options returned by the “Get number of shading options”.

Sub-function 04h – Return / Select Flat Panel Contrast

This sub-function allows for the selection of flat panel contrast levels when OEM has provided a software interface for adjusting the voltage to the biasing circuitry on the panel.

This is not a frame rate control.

To Call:

| | | | |
|----|---|-----|-------------------------------------|
| AL | = | 82h | VBE/FP function |
| BL | = | 04h | Return / Select Flat Panel Contrast |
| BH | = | 00h | Return Range Request |

Returns:

| | | |
|----|---|-----------------------------|
| CH | = | Upper Limit |
| CL | = | Current flat panel contrast |

Comments: If CH = CL = 0, then flat panel contrast control is not supported.

To Call: AL = 82h VBE/FP function
BL = 04h Return / Select Flat Panel Contrast
BH = 01h Select Request
CL = Flat panel contrast to set

Comments: Valid flat panel contrast to set is 0 to the upper limit returned by the “Return Range Request”

Sub-function 05h – Return / Select Flat Panel Brightness

This sub-function allows for the selection of flat panel brightness levels when OEM has provided a software interface for adjusting the voltage to the black light.

To Call: AL = 82h VBE/FP function
BL = 05h Return / Select Flat Panel Brightness
BH = 00h Return Range Request

Returns: CH = Upper Limit
CL = Current flat panel brightness

Comments: If CH = CL = 0, then flat panel brightness control is not supported.

To Call: AL = 82h VBE/FP function
BL = 05h Return / Select Flat Panel Brightness
BH = 01h Select Request
CL = Flat panel brightness to set

Comments: Valid flat panel brightness option to set is 0 to the upper limit returned by the “Return Range Request”

To Call: AL = 82h VBE/FP function
BL = 05h Return / Select Flat Panel Brightness
BH = 02h Return backlight modulation clock

Returns: CL = 0 Backlight modulation clock is 29 MHz
= 1 Backlight modulation clock is 29 Mhz divided by 3

| | | | |
|-----------------|----|-------|---|
| To Call: | AL | = 82h | VBE/FP function |
| | BL | = 05h | Return / Select Flat Panel Brightness |
| | BH | = 03h | Select backlight modulation clock |
| | CL | = 0 | Select 29 MHz for backlight modulation clock |
| | | = 1 | Select 29 MHz divided by 3 for backlight modulation clock |

Sub-function 06h – Return / Select Vertical and Horizontal Positioning

The displayed portion of the mode is positioned by means of this sub-function which represents a global hardware setting. However, its effectiveness may be mode dependent.

| | | | |
|-----------------|----|-------|---|
| To Call: | AL | = 82h | VBE/FP function |
| | BL | = 06h | Return / Select Vertical and Horizontal Positioning |
| | BH | = 00h | Return Range Request |

| | | |
|-----------------|------------|--|
| Returns: | BL | = Available horizontal position settings |
| | BL [0] | = 1 Left |
| | BL [1] | = 1 Center |
| | BL [2] | = 1 Right |
| | BL [7 - 3] | = 00000b Reserved |
| | BH | = Available vertical position settings |
| | BH [0] | = 1 Top |
| | BH [1] | = 1 Center |
| | BH [2] | = 1 Bottom |
| | BH [7 - 3] | = 00000b Reserved |
| | CL | = Current horizontal position |
| | | = 0 Left |
| | | = 1 Center |
| | | = 2 Right |
| | | All other values are reserved. |
| | CH | = Current vertical position |
| | | = 0 Top |
| | | = 1 Center |
| | | = 2 Bottom |
| | | All other values are reserved. |

Comments: Not supported in RAGE LT PRO and RAGE Mobility.
The returned are hardware values being set, not the mode dependent information.

| | | | |
|-----------------|----|-------|---|
| To Call: | AL | = 82h | VBE/FP function |
| | BL | = 06h | Return / Select Vertical and Horizontal Positioning |
| | BH | = 01h | Select Request |
| | CL | = | Horizontal position to set |
| | | = 0 | Left |
| | | = 1 | Center |
| | | = 2 | Right |
| | | | All other values are reserved. |
| | CH | = | Vertical position to set |
| | | = 0 | Top |
| | | = 1 | Center |
| | | = 2 | Bottom |
| | | | All other values are reserved. |

Comments: Not supported in RAGE LT PRO and RAGE Mobility.

Sub-function 07h – *Return/Select Vertical and Horizontal Expansion*

This sub-function allows for the displayed portion of a mode to be expanded.

| | | | |
|-----------------|----|-------|---|
| To Call: | AL | = 82h | VBE/FP function |
| | BL | = 07h | Return / Select Vertical and Horizontal Expansion |
| | BH | = 00h | Return Request |

| | | | |
|-----------------|------------|-----------|---|
| Returns: | BL | = | Available horizontal expansion settings |
| | BL [0] | = 0 | Text expansion not available |
| | | = 1 | Text expansion available |
| | BL [1] | = 0 | Graphics expansion not available |
| | | = 1 | Graphics expansion available |
| | BL [2] | = 1 | Horizontal and vertical expansion must be enabled / disabled simultaneously |
| | BL [7 - 3] | = 00000b | Reserved |
| | BH | = | Available vertical expansion settings |
| | BH [0] | = 0 | Text expansion not available |
| | | = 1 | Text expansion available |
| | BH [1] | = 0 | Graphics expansion not available |
| | | = 1 | Graphics expansion available |
| | BH [2] | = 1 | Horizontal and vertical expansion must be enabled/disabled simultaneously |
| | BH [7 - 3] | = 000000b | Reserved |

CL = Current horizontal expansion
 CL [0] = 0 Text expansion disabled
 = 1 Text expansion enabled
 CL [1] = 0 Graphics expansion disabled
 = 1 Graphics expansion enabled
 CL [7 - 2] = 000000b Reserved
 CH = Current vertical expansion
 CH [0] = 0 Text expansion disabled
 = 1 Text expansion enabled
 CH [1] = 0 Graphics expansion disabled
 = 1 Graphics expansion enabled
 CH [7 - 2] = 000000b Reserved

(continued on the next page)

DL = Current hardware expansion state
 DL [0] = 0 Horizontal text expansion off
 = 1 Horizontal text expansion on
 DL [1] = 0 Horizontal graphics expansion off
 = 1 Horizontal graphics expansion on
 DL [2] = 0 Vertical text expansion off
 = 1 Vertical text expansion on
 DL [3] = 0 Vertical graphics expansion off
 = 1 Vertical graphics expansion on
 DL [7 - 4] = 0000b Reserved

Comments: The returned are hardware values being set, not the mode dependent information.

To Call:

AL = 82h VBE/FP function
 BL = 07h Return / Select Vertical and Horizontal Expansion
 BH = 01h Select Request
 CL = Horizontal expansion
 CL [0] = 0 Disable text expansion
 = 1 Enable text expansion
 CL [1] = 0 Disable graphics expansion
 = 1 Enable graphics expansion
 CL [7 - 2] = 000000b Reserved
 CH = Vertical expansion
 CH [0] = 0 Disable text expansion
 = 1 Enable text expansion
 CH [1] = 0 Disable graphics expansion
 = 1 Enable graphics expansion
 CH [7 - 2] = 000000b Reserved

B.7 Function 83h – LCD / Monitor / TV Detection

This function allows the detection of what display is attached to the computer and what its current status is.

| | | | | |
|-----------------|------------|------------|---|--------------------------------|
| To Call: | AL | = 83h | LCD / monitor / TV detection | |
| | CH [0] | = 0 = 1 | Return monitor information based on previous detection Return current monitor information by detection | |
| | CH [1] | = 0 = 1 | Return TV information based on previous detection Return current TV information by detection | |
| | CH [2] | = 0 = 1 | Return LCD information based on previous detection Return current LCD information by detection | |
| | CH [5 - 3] | = 000b | Reserved | |
| | CH [6] | = 1 | Force CRT attach | |
| | CH [7] | = 1 | Force TV attach | |
| Returns: | CL [1 - 0] | = Monitor | | |
| | | = 0 | No monitor | |
| | | = 1 | Monochrome monitor | |
| | | = 2 | Color monitor | |
| | | CL [3 - 2] | = LCD | |
| | | = 0 | No LCD attached | |
| | | = 1 | LCD attached | |
| | | CL [5 - 4] | = TV | |
| | | = 0 | No TV attached | |
| | | = 1 | TV attached to composite connector | |
| | | = 2 | TV attached to S-Video connector | |
| | | = 3 | TV attached to both composite and S-Video connectors | |
| | | | | All other values are reserved. |
| | CL [6] | = 1 | TV force detection state | |
| | CL [7] | = 1 | CRT force detection state | |

B.8 Function 84h – Return / Select Active Display

This function allows application software to determine information about currently attached active display and set the necessary among the available active display modes.

To Call: AL = 84h Return / Select Active Display
 BH = 00h Return request

Returns: BL = Current display
 BL [0] = 1 Flat panel
 BL [1] = 1 CRT
 BL [2] = 1 TV
 BL [7 - 3] = 00000b Reserved

CL = Requested display
 CL [0] = 1 Flat panel
 CL [1] = 1 CRT
 CL [2] = 1 TV
 CL [3] = 1 Auto-switch
 CL [7 - 4] = 0000b Reserved

BH = Available display
 BH [0] = 1 Flat panel
 BH [1] = 1 CRT
 BH [2] = 1 TV
 BH [7 - 3] = 00000b Reserved

To Call: AL = 84h Return / Select Active Display
 BH = 01h Select request
 CL = Requested display
 CL [0] = 1 Flat panel
 CL [1] = 1 CRT
 CL [2] = 1 TV
 CL [3] = 1 Auto-switch
 CL [7 - 4] = 0000b Reserved

Returns: BL = Current display
 BL [0] = 1 Flat panel
 BL [1] = 1 CRT
 BL [2] = 1 TV
 BL [7 - 3] = 00000b Reserved

Comments: The "Return Request" Sub-function should be called in order to determine the available displays before calling the "Select Request" to select the active displays.

B.9 Function 85h – Return / Select Power Management Mode

This function allows the ability to check / set between different power management and counter values for timer mode.

To Call: AL = 85h Return / Select power management mode
BH = 00h Return request

Returns: CL = Power management mode
CL [0] = 0 Power management disabled
 = 1 Power management enabled
CL [2 - 1] = 0 Pin mode
 = 1 Register mode
 = 2 Timer mode
 = 3 PCI configuration space register mode
CL [7 - 3] = 00000b Reserved

CH = Counter value for timer mode
CH [3 - 0] = Standby counter value in minutes
CH [7 - 4] = Suspend counter value in minutes

To Call: AL = 85h Return / Select power management mode
BH = 01h Enable / Disable power management request
CL = Power management mode
CL [0] = 0 Disable power management
 = 1 Enable power management
CL [7 - 1] = 0000000bReserved

To Call: AL = 85h Return / Select power management mode
BH = 02h Set counter value request (for timer mode only)
CL = Counter value for timer mode
CL [3 - 0] = Standby counter value in minutes
CL [7 - 4] = Suspend counter value in minutes

To Call: AL = 85h Return / Select power management mode
BH = 03h Switch power management mode

CL = 0 Switch power management to non-ACPI mode
= 1 Switch power management to ACPI mode

B.10 Function 86h – In and Out Of Suspend State

(not supported in LT PRO and Mobility)

When this function is called, interrupt should be disabled. The graphics subsystem is ready to put into suspend mode or ready to get out of suspend mode. It is assumed that no other graphics operation will be initiated after this call and suspend procedure or resume procedure should start immediately.

To Call: AL = 086h In and Out Of Suspend State
CL [3 - 0] = 1 Suspend start, call before the hardware pin is put to suspend, ready to suspend when exit
= 2 Suspend complete, call after the hardware pin is put to suspend
= 3 Ready to get out of suspend, call before the hardware pin is put to normal
= 4 Out of suspend is complete, call after the hardware pin is put to normal
All other values are reserved.

CH [7 - 4] = 0000b Reserved

Comments: Not supported in RAGE LT PRO and RAGE Mobility

B.11 Function 87h – Return / Select Refresh Rate

This function provides for the ability to check the current refresh rate and set the necessary from the range of supported refresh rates.

To Call: AL = 87h Return / Select refresh rate
BH = 00h Return request

Returns: CX = Supported refresh rate

| | | |
|---------|-----|------------------------|
| CX [0] | = 1 | If 50 Hz is supported |
| CX [1] | = 1 | If 56 Hz is supported |
| CX [2] | = 1 | If 60 Hz is supported |
| CX [3] | = 1 | If 67 Hz is supported |
| CX [4] | = 1 | If 70 Hz is supported |
| CX [5] | = 1 | If 72 Hz is supported |
| CX [6] | = 1 | If 75 Hz is supported |
| CX [7] | = 1 | If 76 Hz is supported |
| CX [8] | = 1 | If 85 Hz is supported |
| CX [9] | = 1 | If 90 Hz is supported |
| CX [10] | = 1 | If 100 Hz is supported |
| CX [11] | = 1 | If 120 Hz is supported |
| CX [12] | = 1 | If 140 Hz is supported |
| CX [13] | = 1 | If 150 Hz is supported |
| CX [14] | = 1 | If 160 Hz is supported |
| CX [15] | = 1 | If 200 Hz is supported |

DX = Selected refresh rate

| | | |
|---------|-----|-----------------------|
| DX [0] | = 1 | If 50 Hz is selected |
| DX [1] | = 1 | If 56 Hz is selected |
| DX [2] | = 1 | If 60 Hz is selected |
| DX [3] | = 1 | If 67 Hz is selected |
| DX [4] | = 1 | If 70 Hz is selected |
| DX [5] | = 1 | If 72 Hz is selected |
| DX [6] | = 1 | If 75 Hz is selected |
| DX [7] | = 1 | If 76 Hz is selected |
| DX [8] | = 1 | If 85 Hz is selected |
| DX [9] | = 1 | If 90 Hz is selected |
| DX [10] | = 1 | If 100 Hz is selected |
| DX [11] | = 1 | If 120 Hz is selected |
| DX [12] | = 1 | If 140 Hz is selected |
| DX [13] | = 1 | If 150 Hz is selected |
| DX [14] | = 1 | If 160 Hz is selected |
| DX [15] | = 1 | If 200 Hz is selected |

| | | | |
|-----------------|---------|-------|------------------------------|
| To Call: | AL | = 87h | Return / Select refresh rate |
| | BH | = 01h | Select request |
| | CX [0] | = 1 | To select 50 Hz |
| | CX [1] | = 1 | To select 56 Hz |
| | CX [2] | = 1 | To select 60 Hz |
| | CX [3] | = 1 | To select 67 Hz |
| | CX [4] | = 1 | To select 70 Hz |
| | CX [5] | = 1 | To select 72 Hz |
| | CX [6] | = 1 | To select 75 Hz |
| | CX [7] | = 1 | To select 76 Hz |
| | CX [8] | = 1 | To select 85 Hz |
| | CX [9] | = 1 | To select 90 Hz |
| | CX [10] | = 1 | To select 100 Hz |
| | CX [11] | = 1 | To select 120 Hz |
| | CX [12] | = 1 | To select 140 Hz |
| | CX [13] | = 1 | To select 150 Hz |
| | CX [14] | = 1 | To select 160 Hz |
| | CX [15] | = 1 | To select 200 Hz |

B.12 Function 88h – Return / Select Dithering

This function allows the ability to check / set additional colors and shades from existing palette.

| | | | |
|-----------------|----|-------|---------------------------------|
| To Call: | AL | = 88h | Return / Select dithering level |
| | BH | = 00h | Return Range Request |

| | | |
|-----------------|----|---------------------|
| Returns: | CH | = Upper limit |
| | CL | = Current dithering |

| | | | |
|-----------------|----|--------------------|---------------------------------|
| To Call: | AL | = 88h | Return / Select dithering level |
| | BH | = 01h | Select request |
| | CL | = Dithering to set | |

Comments: Valid dithering level to set is 0 to the upper limit returned by the “Return Range Request”

B.13 Function 89h – Return / Select Cursor Blink Rate

This function serves the purpose of checking / setting the rate of on-and-off cursor illumination on a display screen.

To Call: AL = 89h Return / Select cursor blink rate
BH = 00h Return Range Request

Returns: CH = Upper limit
CL = Current cursor blink rate

To Call: AL = 89h Return / Select cursor blink rate
BH = 01h Select request
CL = Current cursor blink rate to set

Comments: Valid cursor blink rate to set is 0 to the upper limit returned by the “Return Range Request”

B.14 Function 8Ah – Hardware ICON Support

This function allows the ability to check for hardware ICON memory address, set / reset hardware ICON memory mode, disable hardware ICON and provide custom hardware ICON support.

To Call: AL = 8Ah Return / Select hardware ICON
BH = 00h Return hardware ICON memory address using VGA aperture
BL = 00h Return hardware ICON memory address for the primary CRTC using VGA aperture. (Required for RAGE Mobility only)
= 80h Return hardware ICON memory address for the secondary CRTC using VGA aperture. (Required for RAGE Mobility only)

Returns: CX:DX = Hardware ICON memory address using VGA aperture.

To Call: AL = 8Ah Return / Select hardware ICON
BH = 01h Set hardware ICON memory mode using VGA aperture
CX:DX = Pointer to a 32 byte zero-filled buffer for preserving registers by the Video BIOS

To Call: AL = 8Ah Return / Select hardware ICON
BH = 02h Reset hardware ICON memory mode using VGA aperture
CX:DX = Pointer to a 32 byte buffer for restoring registers by the Video BIOS

To Call: AL = 8Ah Return / Select hardware ICON
BH = 80h Return hardware ICON memory address using linear aperture
BL = 00h Return hardware ICON memory address for the primary CRTC using linear aperture (Required for RAGE Mobility only)
= 80h Return hardware ICON memory address for the secondary CRTC using linear aperture (Required for RAGE Mobility only)

Returns: CX = Hardware ICON memory address (bits 31 - 16) using linear aperture
DX = Hardware ICON memory address (bits 15 - 0) using linear aperture

To Call: AL = 8Ah Return / Select hardware ICON
BH = 81h Set hardware ICON memory mode using linear aperture
CX:DX = Pointer to a 32 byte zero-filled buffer for preserving registers by the Video BIOS

To Call: AL = 8Ah Return / Select hardware ICON
BH = 82h Reset hardware ICON memory mode using linear aperture
CX:DX = Pointer to a 32 byte buffer for restoring registers by the Video BIOS

To Call:

- AL = 8Ah Return / Select hardware ICON
- BH = 03h Enable hardware ICON
- BL = 00h Enable hardware ICON for the primary CRTC (Required for Rage Mobility only)
- = 80h Enable hardware ICON for the secondary CRTC. (Required for Rage Mobility only)
- CX:DX = Pointer to a 32 byte buffer for hardware ICON information

Table B-8 Hardware ICON Enable Information

| Offset (byte) | Content |
|---------------|--|
| 0 | Hardware ICON size bit 0 = 0 64x64 = 1 128x128 bits 6 - 1 = Reserved bit 7 = 1 Display Hardware ICON and blank rest of screen |
| 1 | Hardware ICON position bits 2 - 0 = 000b Upper left corner = 001b Bottom left corner = 010b Upper right corner = 011b Bottom right corner = 100b Center = 111b Position specified for the upper left corner bits 7 - 3 = Reserved |
| 2 | bits 7 - 0 = color 0 Blue |
| 3 | bits 7 - 0 = color 0 Green |
| 4 | bits 7 - 0 = color 0 Red |
| 5 | bits 7 - 0 = color 1 Blue |
| 6 | bits 7 - 0 = color 1 Green |
| 7 | bits 7 - 0 = color 1 Red |
| 8 - 9 | X-coordinate if bits 2 - 0 of byte 1 is 111b |
| 10 - 11 | Y-coordinate if bits 2 - 0 of byte 1 is 111b |
| 12 - 31 | Reserved |

To Call:

| | | | |
|-------|---|-----|--|
| AL | = | 8Ah | Return / Select hardware ICON |
| BH | = | 04h | Disable hardware ICON |
| BL | = | 00h | Disable hardware ICON for the primary CRTC (Required for RAGE Mobility only) |
| | = | 80h | Disable hardware ICON for the secondary CRTC (Required for RAGE Mobility only) |
| CX:DX | = | | Pointer to a 32 byte buffer for hardware ICON information |

To Call:

| | | | |
|-------|---|-----|---|
| AL | = | 8Ah | Return / Select hardware ICON |
| BH | = | 05h | Set hardware ICON position |
| BL[0] | = | 0 | Hardware ICON is 64x64 |
| | = | 1 | Hardware ICON is 128x128 |
| BL[7] | = | 0 | Set hardware ICON position for the primary CRTC (Required for Rage Mobility only) |
| | = | 1 | Set hardware ICON position for the secondary CRTC (Required for Rage Mobility only) |
| CX | = | | X-coordinate of upper left corner |
| DX | = | | Y-coordinate of upper left corner |

To Call:

| | | | |
|----|---|-----|-------------------------------|
| AL | = | 8Ah | Return / Select hardware ICON |
| BH | = | 06h | Custom hardware ICON support |

To Call:

| | | | |
|----|---|-----|---|
| AL | = | 8Ah | Return / Select hardware ICON |
| BH | = | 07h | Disable hardware ICON without restoring registers |
| BL | = | 00h | Disable hardware ICON for the primary CRTC without restoring registers (Required for Rage Mobility only). |
| | = | 80h | Disable hardware ICON for the secondary CRTC without restoring registers (Required for Rage Mobility only). |

To Call:

| | | | |
|----|---|-----|-------------------------------|
| AL | = | 8Ah | Return / Select hardware ICON |
| BH | = | 08h | Return hardware ICON state |

Returns:

| | | | |
|-------|---|---|---|
| BL[0] | = | 0 | If hardware ICON is disabled for the primary CRTC |
| | = | 1 | If hardware ICON is enabled for the primary CRTC |
| BL[1] | = | 0 | If hardware ICON is disabled for the secondary CRTC (Supported in RAGE Mobility only) |
| | = | 1 | If hardware ICON is enabled for the secondary CRTC (Supported in RAGE Mobility only) |

BL[2] = 0 If hardware cursor is disabled for the primary CRTC
 = 1 If hardware cursor is enabled for the primary CRTC
BL[3] = 0 If hardware cursor is disabled for the secondary CRTC
 = 1 If hardware cursor is enabled for the secondary CRTC

To Call: AL = 8Ah Return / Select hardware ICON
 BH = 09h Return current resolution for hardware ICON
 BL = 00h For primary CRTC
 = 80h For secondary CRTC

Returns: CX = Current horizontal resolution for hardware ICON
 DX = Current vertical resolution for hardware ICON

To Call: AL = 8Ah
 BH = 0Ah Disable hardware cursor
 CL[0] = 1 Disable hardware cursor for the primary CRTC
 CL[1] = 1 Disable hardware cursor for the secondary CRTC

To Call: AL = 8Ah
 BH = 00Bh Enable hardware cursor
 CL[0] = 1 Enable hardware cursor for the primary CRTC
 CL[1] = 1 Enable hardware cursor for the secondary CRTC

B.15 Function 8Bh – Set CMOS Information

This function offers the ability to update information in the CMOS by video BIOS or system software.

To Call: AL = 8Bh Set CMOS Information
 BH = 80h Set Request Display(s) in CMOS
 CL = Current active display(s) on primary CRTC
 CL[0] = 1 LCD
 [1] = 1 CRT
 [2] = 1 TV
 [3] = 1 DFP
 [7-4] = 0000b reserved

| | | |
|-------|---------|---|
| CH | = | Current detected display(s) based on last detection |
| CH[0] | = 1 | LCD |
| [1] | = 1 | CRT |
| [2] | = 1 | TV |
| [3] | = 1 | DFP |
| [7-4] | = 0000b | reserved |

Comments: This sub-function is intended to be used by video BIOS or system software only.

To Call:

| | | |
|----|-------|-------------------------------|
| AL | = 8Bh | Set CMOS Information |
| BH | = 81h | Set Request Expansion in CMOS |
| CL | = 0 | Disable expansion |
| | = 1 | Enable expansion |

Comments: This sub-function is intended to be used by video BIOS or system software only.

To Call:

| | | |
|----|-------|--------------------------------|
| AL | = 8Bh | Set CMOS Information |
| BH | = 82h | Set Select TV Standard in CMOS |
| CX | = | TV standard |
| | = 0 | NTSC |
| | = 1 | PAL |
| | = 2 | PAL-M |
| | = 3 | PAL-60 |
| | = 4 | NTSC-J |
| | = 5 | PAL-CN |
| | = 6 | PAL-N |
| | = 9 | SCART-RGB |

Comments: This sub-function is intended to be used by video BIOS or system software only.

B.16 Function 8Ch – Return / Select 475 Lines VGA Mode

This function provides the ability to check / set a specific VGA mode allowing 475 lines screen size.

To Call: AL = 8Ch Return / Select 475 lines VGA mode
BH = 00h Return request

Returns: CL = 0 475 lines VGA mode disabled
= 1 475 lines VGA mode disabled

Comments: Not supported in LT PRO and RAGE Mobility

To Call: AL = 8Ch Return / Select 475 lines VGA mode
BH = 01h Select request
CL = 0 Disable 475 lines VGA mode
= 1 Enable 475 lines VGA mode

Comments: Not supported in LT PRO and RAGE Mobility

B.17 Function 8Dh – Return Current Display Information

This function provides for the ability to check the current display information.

To Call: AL = 8Dh Return current display information
BH = 00h Return current display is text or graphics for the primary CRTC

Returns: CX = 0 Current display is text mode
= 1 Current display is graphics mode

To Call: AL = 8Dh Return current display information
BH = 01h Return current display resolution
BL = 00h For primary CRTC
= 80h For secondary CRTC

Returns: BX = Horizontal resolution in pixels
DX = Vertical resolution in lines

B.18 Function 8Eh - LCD Display Data Channel Support (DDC)

Sub-function 0 returns the LCD DDC support information of the BIOS and LCD.

| | | | |
|-----------------|-------|-------|--|
| To Call: | AL | = 8Eh | LCD Display Data Channel Support (DDC) |
| | BL | = 00h | LCD DDC format supported by the BIOS and LCD |
| Returns: | BX | = 0 | LCD DDC not supported |
| | BX[1] | = 1 | DDC2B supported by LCD (I2C address 0A0h) |
| | BX[3] | = 1 | DDC2B supported by LCD (I2C address 0A2h) |
| | BX[4] | = 1 | DDC2B supported by LCD (I2C address 0A6h) |
| | AX[1] | = 1 | DDC2B supported by BIOS (I2C address 0A0h) |
| | AX[2] | = 1 | DDC2AB supported by BIOS |
| | AX[3] | = 1 | DDC2B supported by BIOS (I2C address 0A2h and 0A6h) |
| | AX[6] | = 1 | BIOS support detailed EDID timing at power up |
| | AX[7] | = 1 | BIOS can use EDID information to setup the board at power up |

Sub-function 1 returns the 128 byte EDID information.

| | | | |
|-----------------|-------|-------|--|
| To Call: | AL | = 8Eh | LCD Display Data Channel Support (DDC) |
| | BL | = 01h | Return first block of EDID 1.x data |
| | CX | = | Buffer size |
| | DX:DI | = | Pointer to buffer |

Comments: The BIOS does not check the validity of the EDID information captured from the LCD. It is the caller who must verify the EDID information before using it.

Sub-function 4 returns the LCD DDC support information of the BIOS.

To Call: AL = 8Eh LCD Display Data Channel Support (DDC)
BL = 04h Return LCD DDC format supported by the BIOS

Returns: BX = 0 DDC2B used for communication
AX[1] = 1 DDC2B supported by BIOS (I2C address 0A0h)
AX[2] = 1 DDC2AB supported by BIOS
AX[3] = 1 DDC2B supported by BIOS (I2C address 0A2h and 0A6h)
AX[6] = 1 BIOS support detailed EDID timing at power up
AX[7] = 1 BIOS can use EDID information to setup the board at power up

Comments: Similar to Sub-function 0 except for no LCD DDC detection performing.

Sub-function 5 returns the 256 byte EDID information.

To Call: AL = 8Eh LCD Display Data Channel Support (DDC)
BL = 05h Return first block of EDID 2.x data
CX = Buffer size
DX:DI = Pointer to buffer

Comments: The BIOS does not check the validity of the EDID information captured from the LCD. It is the caller who must verify the EDID information before using it.

B.19 Function 8Fh – Get / Set Video BIOS Information

To Call: AL = 8Fh Get / Set Video BIOS Information
BH = 00h Get miscellaneous video BIOS information

Returns: CL = Miscellaneous video BIOS information
CL[2-0] = 000b reserved
[3] = 1 If display(s) switching by video BIOS is disabled
[5-4] = 11b If large desktop mode
= 10b If independent display timing (IDT) mode
= 00b If single CRTC mode
= 01b invalid

[7-6] = 00b reserved

To Call:

| | | | |
|----|---|-----|--|
| AL | = | 8Fh | Get / Set Video BIOS Information |
| BH | = | 02h | Set display(s) switching by video BIOS state |
| CL | = | 0 | Enable display(s) switching by video BIOS |
| | = | 1 | Disable display(s) switching by video BIOS |

To Call:

| | | | |
|----|---|-----|----------------------------------|
| AL | = | 8Fh | Get / Set Video BIOS Information |
| BH | = | 05h | Set LID state |
| CL | = | 0 | LID is open |
| | = | 1 | LID is closed |

B.20 Function 04Exxh – System BIOS Int 15h

This function is to be provided by the OEM to supply hardware-specific information to the Video BIOS. The sub-functions are called by the Video BIOS during the initialization, if the latter is required to find out the specified information.

The system BIOS Int 15h callback function should validate the return data before returning to Video BIOS.

If the function call is not supported or fails, default values will be used. The default values depend on specific OEM's requirement.

Sub-function 00h – Return Panel Identity

To Call:

| | | | |
|----|---|-------|-----------------------|
| AX | = | 4Exxh | System BIOS Int 15h |
| BL | = | 00h | Return panel identity |

Returns: BL = Panel ID (000h - 01Fh)

Comments: If the function call is not supported or fails, default value will be used.

Sub-function 01h – Return Select Display

To Call: AX = 4Exxh System BIOS Int 15h
BL = 01h Return selected display

Returns:

| | | |
|------------|-------|----------------------|
| BL [0] | = 1 | Flat panel |
| BL [1] | = 1 | CRT |
| BL [2] | = 1 | TV |
| BL [3] | = 1 | Auto-switch |
| BL [5 - 4] | = 00b | Reserved |
| BL [6] | = 1 | Force CRT connection |
| BL [7] | = 1 | Force TV connection |

Comments: If the function call is not supported or fails, default value will be used.

Sub-function 02h – Return Selected Expansion

To Call: AX = 4Exxh System BIOS Int 15h
BL = 02h Return Selected Expansion

Returns:

| | | |
|------------|-----------|---------------------------|
| BL [0] | = 1 | Enable text expansion |
| BL [1] | = 1 | Enable graphics expansion |
| BL [7 - 2] | = 000000b | Reserved |

Comments: If the function call is not supported or fails, default value will be used.

Sub-function 03h – Return Selected Refresh Rate

To Call: AX = 4Exxh System BIOS Int 15h
 BL = 03h Return Selected Refresh Rate

Returns:

| | | |
|---------|-----|------------------|
| BX [0] | = 1 | To select 50 Hz |
| BX [1] | = 1 | To select 56 Hz |
| BX [2] | = 1 | To select 60 Hz |
| BX [3] | = 1 | To select 67 Hz |
| BX [4] | = 1 | To select 70 Hz |
| BX [5] | = 1 | To select 72 Hz |
| BX [6] | = 1 | To select 75 Hz |
| BX [7] | = 1 | To select 76 Hz |
| BX [8] | = 1 | To select 85 Hz |
| BX [9] | = 1 | To select 90 Hz |
| BX [10] | = 1 | To select 100 Hz |
| BX [11] | = 1 | To select 120 Hz |
| BX [12] | = 1 | To select 140 Hz |
| BX [13] | = 1 | To select 150 Hz |
| BX [14] | = 1 | To select 160 Hz |
| BX [15] | = 1 | To select 200 Hz |

Comments: If the function call is not supported or fails, default value will be used.

Sub-function 04h – Return Standby and Suspend Counter Values for Power Management (Timer Mode only)

To Call: AX = 4Exxh System BIOS Int 15h
 BL = 04h Return standby and suspend counter values for power management (timer mode only)

Returns:

| | | |
|------------|---|-----------------------------------|
| BL [3 - 0] | = | Standby counter values in minutes |
| BL [7 - 4] | = | Suspend counter values in minutes |

Comments: If the function call is not supported or fails, default values will be used.

Sub-function 05h – Return TV Standard

To Call: AX = 4Exxh System BIOS Int 15h
BL = 05h Return TV standard

Returns: BL = 0 NTSC
= 1 PAL
= 2 PAL-M
= 4 NTSC-J
= 5 PAL-CN
= 6 PAL-N

Comments: If the function call is not supported or fails, default values will be used.

Sub-function 06h – Return Power Management Mode

To Call: AX = 4Exxh System BIOS Int 15h
BL = 06h Return Power Management Mode

Returns: BL = 0 Non-ACPI mode
= 1 ACPI mode

Comments: If the function call is not supported or fails, default values will be used.

The format of every function return status word is as follows:

| | | |
|----|--------|---|
| AH | = 4Eh | Function is supported |
| | != 4Eh | Function is not supported |
| AL | = 00h | Function call successful |
| | = 01h | Function call failed |
| | = 02h | Function call not supported in current hardware configuration |
| | = 03h | Function call invalid in current video mode |

A non-zero value in the AH register should be treated as a general failure condition.

Sub-function 07h – Get SGRAM / SDRAM Information

To Call: AX = 4Exxh System BIOS Int 15h
 BL = 07h Get SGRAM / SDRAM information

Returns: BL = 0 SGRAM
 = 1 SDRAM

Sub-function 08h – Set Request Display(s) in CMOS

To Call: AX = 4Exxh System BIOS Int 15h
 BL = 08h Set request display(s) in CMOS
 CL = Current active display(s) on primary CRT
 CL[0] = 1 LCD
 [1] = 1 CRT
 [2] = 1 TV
 [7-3] = 00000b reserved
 CH = Current detected display(s) based on last detection
 CH[0] = 1 LCD
 [1] = 1 CRT
 [2] = 1 TV
 [7-3] = 00000b reserved

Sub-function 09h – Set Request Expansion in CMOS

To Call: AX = 4Exxh System BIOS Int 15h
 BL = 09h Set request expansion in CMOS
 CL = 0 Disable expansion
 = 1 Enable expansion

Sub-function 0Ah – Set Select TV Standard in CMOS

| | | | |
|-----------------|----|---------|--------------------------------|
| To Call: | AX | = 4Exxh | System BIOS Int 15h |
| | BL | = 0Ah | Set Select TV Standard in CMOS |
| | CX | = | TV Standard |
| | | = 0 | NTSC |
| | | = 1 | PAL |
| | | = 2 | PAL-M |
| | | = 3 | PAL-60 |
| | | = 4 | NTSC-J |
| | | = 5 | PAL-CN |
| | | = 6 | PAL-N |
| | | = 9 | SCART-RGB |

Appendix C

RAGE XL Specific Functions

C.1 Introduction

This chapter discusses *RAGE XL* specific implementations only.

The Video States Save and Restore are supported through the standard RAGE PRO BIOS extension AL=014h or through the VESA VBE 2.0 functions. No *RAGE XL* specific interface will be required.

The Video memory can be saved through the memory aperture. The memory aperture location and size of the video memory is returned through the standard RAGE PRO BIOS extension AL=006h. No *RAGE XL* specific interface will be required.

The Power Management will be supported through the standard RAGE PRO BIOS extension AL=00Eh. No *RAGE XL* specific interface will be required.

For information generic to 3D RAGE PRO product family see [Chapter 2](#).

C.2 Function Calls

Base ROM address is determined by the register SCRATCH_REG1(base_address + 084h) and the ROM services are accessible by absolute calls at this address with the following instructions.

CALL ROM_ADDR:64h,

where ROM_ADDR = (SCRATCH_REG1 & 0x7F)×0x80 + 0xC000

Another way to invoke the extended ROM service is by calling a INT 10h with AH=0A0h.

C.3 Function 80h - Return Panel Type and Controller Supported Information *(not supported in RAGE XL)*

This function is not supported by RAGE XL because the function interface assumes panel presence at boot time.

C.4 Function 81h - Return Panel Identity Information

(not supported in RAGE XL)

This function is not supported by RAGE XL because the function interface assumes panel presence at boot time.

C.5 Function 82h – VESA BIOS Extensions / Flat Panel Functions

(not supported in RAGE XL)

These ATI extended functions have been replaced in RAGE XL with the proposed VESA VBE / Flat Panel Function Extensions as described in the following section.

C.6 Function 4F11h – VESA VBE / Flat Panel BIOS

This section describes the VESA BIOS Extension sub-functions for flat panels (VBE/FP Functions) as they pertain to the RAGE XL controller.

Reserved values should always be set to the value zero (0).

Sub-function 00h - Return Flat Panel Extensions Support Information

To Call:

- AX = 4F11h VBE/FP function
- BL = 00h Return flat panel extensions support information
- ES:DI = Pointer to 256 byte buffer in which to place SubVBEInfo block (see).

Returns: AX = VBE return status

Comments: This sub-function allows application developers to get information about the flat panel extensions. The function is required by VBE 2.0 as a Supplemental Specification. Due to code space limitations, this function may not be implemented in current BIOS.

Table C-1 SubVBEInfoBlock Structure

| Offset (byte) | Content |
|---------------|---|
| 0 - 6 | 'VBE/FP', 0FFh Supplement VBE signature |
| 7 - 8 | 0100h Supplement VBE version |
| 9 | 03 Bit-field of supported sub-functions |

Table C-1 SubVBEInfoBlock Structure (Continued)

| Offset (byte) | Content | |
|---------------|-------------|--------------------------------------|
| 10 - 16 | 0 | Bit-field of supported sub-functions |
| 17 - 18 | 0100h | OEM software revision |
| 19 - 22 | word offset | OEM Vendor Name Pointer |
| 23 - 26 | word offset | OEM Product Name Pointer |
| 27 - 30 | word offset | OEM String Pointer |
| 31 - 255 | 0 | Reserved |

Table C-2 OEM Desfault Strings in SubVBEInfoBlock Structure

| Parameter Name | Descripton |
|--------------------------|--|
| OEM Vendor Name Pointer | This is the BIOS segment offset to a hard-coded string. The default Vendor Name string is "ATI Technologies Inc.". |
| OEM Product Name Pointer | This is the BIOS segment offset to a hard-coded string. The default Product Name string is "Rage XL". |
| OEM String Pointer | This is the BIOS segment offset to a hard-coded string. The default string is "VBE-FP". |

Sub-function 01h - *Return Flat Panel Information*

To Call:

| | | | |
|-------|---|-------|--|
| AX | = | 4F11h | VBE/FP function |
| BL | = | 01h | Return flat panel information |
| ES:DI | = | | Pointer to 32 byte buffer in which to place flat panel information structure (see). |

Returns: AX = VBE return status

Comments: This sub-function returns information about the current attached flat panel device..
Due to code space limitations, this function may not be implemented in current BIOS.

Table C-3 Flat Panel Information Structure

| Offset (byte) | Content |
|---------------|---------------------------|
| 0 - 1 | Horizontal size in pixels |

Table C-3 Flat Panel Information Structure (Continued)

| Offset (byte) | Content | |
|---------------|---|---------------------------------|
| 2 - 3 | Vertical size in lines | |
| 4 - 5 | bit 0 = 0 | Monochrome |
| | = 1 | Color |
| | bit 1 = 0 | Single panel construction |
| | = 1 | Dual (split) panel construction |
| | bits [7-2] = 0 | STN (passive matrix) |
| | = 1 | TFT (active matrix) |
| | = 2 | Other LCD |
| | = 3 | EL |
| | = 4 | Plasma |
| | bits [15-8] = Reserved | |
| 6 | Red bits per primary | |
| 7 | Green bits per primary | |
| 8 | Blue bits per primary | |
| 9 | Reserved bits per primary | |
| 10 - 13 | Size in KB of off-screen memory required for frame buffer | |
| 14 - 17 | Pointer to reserved off screen memory for frame buffer | |
| 18 - 31 | Reserved | |

C.7 Function 83h – LCD / Monitor / TV Detection

This function allows the detection of what display is attached to the computer and what its current status is.

| | | | |
|-----------------|------------|--------|--|
| To Call: | AL | = 83h | LCD / monitor / TV detection |
| | CH [0] | = 0 | Return monitor information based on previous detection |
| | | = 1 | Return current monitor information by detection |
| | CH [1] | = 0 | Return TV information based on previous detection |
| | | = 1 | Return current TV information by detection |
| | CH [2] | = 0 | Return LCD information based on previous detection |
| | | = 1 | Return current LCD information by detection |
| | CH [5 - 3] | = 000b | Reserved |

CH [6] = 1 Force CRT attach

CH [7] = 1 Force TV attach

Returns: CL [1 - 0] = Monitor

= 0 No monitor
 = 1 Monochrome monitor
 = 2 Color monitor

CL [3 - 2] = LCD

= 0 No LCD attached
 = 1 LCD attached

CL [5 - 4] = TV

= 0 No TV attached
 = 1 TV attached to composite connector
 = 2 TV attached to S-Video connector
 = 3 TV attached to both composite and S-Video connectors
 All other values are reserved.

CL [6] = 1 TV force detection state

CL [7] = 1 CRT force detection state

C.8 Function 84h – Return / Select Active Display

This function allows application software to determine information about currently attached active display and set the necessary among the available active display modes.

To Call: AL = 84h Return / Select Active Display

BH = 00h Return request

Returns: BL = Current display

BL [0] = 1 Flat panel
 BL [1] = 1 CRT
 BL [2] = 1 TV
 BL [7 - 3] = 00000b Reserved

CL = Requested display

| | | |
|----------|---------|-------------|
| CL [0] | = 1 | Flat panel |
| CL [1] | = 1 | CRT |
| CL [2] | = 1 | TV |
| CL [3] | = 1 | Auto-switch |
| CL [7-4] | = 0000b | Reserved |

| | | |
|----------|---------------------|------------|
| BH | = Available display | |
| BH [0] | = 1 | Flat panel |
| BH [1] | = 1 | CRT |
| BH [2] | = 1 | TV |
| BH [7-3] | = 00000b | Reserved |

To Call:

| | | |
|----------|---------------------|--------------------------------|
| AL | = 84h | Return / Select Active Display |
| BH | = 01h | Select request |
| CL | = Requested display | |
| CL [0] | = 1 | Flat panel |
| CL [1] | = 1 | CRT |
| CL [2] | = 1 | TV |
| CL [3] | = 1 | Auto-switch |
| CL [7-4] | = 0000b | Reserved |

Returns:

| | | |
|----------|-------------------|------------|
| BL | = Current display | |
| BL [0] | = 1 | Flat panel |
| BL [1] | = 1 | CRT |
| BL [2] | = 1 | TV |
| BL [7-3] | = 00000b | Reserved |

C.9 Function 85h – Return / Select Power Management Mode

This function allows the ability to check / set between different power management and counter values for timer mode.

To Call:

| | | |
|----|-------|---------------------------------------|
| AL | = 85h | Return / Select power management mode |
| BH | = 00h | Return request |

Returns:

| | |
|----|-------------------------|
| CL | = Power management mode |
|----|-------------------------|

| | | |
|----------|----------|--|
| CL [0] | = 0 | Power management disabled |
| | = 1 | Power management enabled |
| CL [2-1] | = 0 | Pin mode (not supported in RAGE XL) |
| | = 1 | Register mode |
| | = 2 | Timer mode (not supported in RAGE XL) |
| | = 3 | PCI configuration space register (ACPI) mode |
| CL [7-3] | = 00000b | Reserved |

To Call:

| | | |
|----|----------|---|
| AL | = 85h | Return / Select power management mode |
| BH | = 01h | Enable / Disable power management request |
| CL | = | Power management mode |
| | CL [0] | = 0 Disable power management |
| | | = 1 Enable power management |
| | CL [7-1] | = 0000000b Reserved |

To Call:

| | | |
|----|------------|--|
| AL | = 85h | Return / Select power management mode |
| BH | = 02h | Set counter value request (not supported by RAGEXL) |
| CL | = | Counter value for timer mode |
| | CL [3 - 0] | = Standby counter value in minutes |
| | CL [7 - 4] | = Suspend counter value in minutes |

To Call: AL = 85h Return / Select power management mode
BH = 03h Switch power management mode
CL = 0 Switch power management to non-ACPI mode
= 1 Switch power management to ACPI mode

C.10 Function 87h – Return / Select Refresh Rate

This Function provides for the ability to check the current refresh rate and set the necessary refresh rate from the range of supported rates.

To Call: AL = 87h Return / Select refresh rate
BH = 00h Return request

Returns: CX = Supported refresh rate

| | | |
|---------|-----|------------------------|
| CX [0] | = 1 | If 50 Hz is supported |
| CX [1] | = 1 | If 56 Hz is supported |
| CX [2] | = 1 | If 60 Hz is supported |
| CX [3] | = 1 | If 67 Hz is supported |
| CX [4] | = 1 | If 70 Hz is supported |
| CX [5] | = 1 | If 72 Hz is supported |
| CX [6] | = 1 | If 75 Hz is supported |
| CX [7] | = 1 | If 76 Hz is supported |
| CX [8] | = 1 | If 85 Hz is supported |
| CX [9] | = 1 | If 90 Hz is supported |
| CX [10] | = 1 | If 100 Hz is supported |
| CX [11] | = 1 | If 120 Hz is supported |
| CX [12] | = 1 | If 140 Hz is supported |
| CX [13] | = 1 | If 150 Hz is supported |
| CX [14] | = 1 | If 160 Hz is supported |
| CX [15] | = 1 | If 200 Hz is supported |

DX = Selected refresh rate

| | | |
|--------|-----|----------------------|
| DX [0] | = 1 | If 50 Hz is selected |
| DX [1] | = 1 | If 56 Hz is selected |
| DX [2] | = 1 | If 60 Hz is selected |

| | | |
|---------|-----|-----------------------|
| DX [3] | = 1 | If 67 Hz is selected |
| DX [4] | = 1 | If 70 Hz is selected |
| DX [5] | = 1 | If 72 Hz is selected |
| DX [6] | = 1 | If 75 Hz is selected |
| DX [7] | = 1 | If 76 Hz is selected |
| DX [8] | = 1 | If 85 Hz is selected |
| DX [9] | = 1 | If 90 Hz is selected |
| DX [10] | = 1 | If 100 Hz is selected |
| DX [11] | = 1 | If 120 Hz is selected |
| DX [12] | = 1 | If 140 Hz is selected |
| DX [13] | = 1 | If 150 Hz is selected |
| DX [14] | = 1 | If 160 Hz is selected |
| DX [15] | = 1 | If 200 Hz is selected |

To Call: AL = 87h Return / Select refresh rate

BH = 01h Select request

| | | |
|---------|-----|--------------------------|
| CX [0] | = 1 | To select 50 Hz or 43 HZ |
| CX [1] | = 1 | To select 56 Hz |
| CX [2] | = 1 | To select 60 Hz |
| CX [3] | = 1 | To select 67 Hz |
| CX [4] | = 1 | To select 70 Hz |
| CX [5] | = 1 | To select 72 Hz |
| CX [6] | = 1 | To select 75 Hz |
| CX [7] | = 1 | To select 76 Hz |
| CX [8] | = 1 | To select 85 Hz |
| CX [9] | = 1 | To select 90 Hz |
| CX [10] | = 1 | To select 100 Hz |
| CX [11] | = 1 | To select 120 Hz |
| CX [12] | = 1 | To select 140 Hz |
| CX [13] | = 1 | To select 150 Hz |
| CX [14] | = 1 | To select 160 Hz |
| CX [15] | = 1 | To select 200 Hz |

C.11 Function 88h – Return / Select Dithering

This Function allows the ability to check / set additional colors and shades from existing palette.

To Call: AL = 88h Return / Select dithering level
BH = 00h Return Range Request

Returns: CH = Upper limit
CL = Current dithering

To Call: AL = 88h Return / Select dithering level
BH = 01h Select request
CL = Dithering to set

Comments: Valid dithering level to set is 0 to the upper limit returned by the “Return Range Request”

C.12 Function 89h – Return / Select Cursor Blink Rate

This Function serves the purpose of checking / setting the rate of on-and-off cursor illumination on a display screen.

To Call: AL = 89h Return / Select cursor blink rate
BH = 00h Return Range Request

Returns: CH = Upper limit
CL = Current cursor blink rate

To Call: AL = 89h Return / Select cursor blink rate
BH = 01h Select request
CL = Current cursor blink rate to set

Comments: Valid cursor blink rate to set is 0 to the upper limit returned by the “Return Range Request”

C.13 Function 8Ah – Hardware ICON Support

(not supported in RAGE XL)

There is no Hardware ICON in RAGE XL.

C.14 Function 8Dh – Return Current Display Information

This Function is used to check the current display information.

| | | | |
|-----------------|----|-------|--|
| To Call: | AL | = 8Dh | Return current display information |
| | BH | = 00h | Return current display is text or graphics |

| | | | |
|-----------------|----|-----|----------------------------------|
| Returns: | CX | = 0 | Current display is text mode |
| | | = 1 | Current display is graphics mode |
| | | = | |

C.15 Function 8Eh - LCD Display Data Channel Support (DDC)

Sub-function 00h returns the LCD DDC support information of the BIOS and LCD.

| | | | |
|-----------------|----|-------|--|
| To Call: | AL | = 8Eh | LCD Display Data Channel Support (DDC) |
| | BL | = 00h | LCD DDC format supported by the BIOS and LCD |

| | | | |
|-----------------|-------|-----|--|
| Returns: | BX | = 0 | LCD DDC not supported |
| | BX[1] | = 1 | DDC2B supported by LCD (I ² C address 0A0h) |
| | BX[3] | = 1 | DDC2B supported by LCD (I ² C address 0A2h) |
| | BX[4] | = 1 | DDC2B supported by LCD (I ² C address 0A6h) |
| | AX[1] | = 1 | DDC2B supported by BIOS (I ² C address 0A0h) |
| | AX[2] | = 1 | DDC2AB supported by BIOS |
| | AX[3] | = 1 | DDC2B supported by BIOS (I ² C address 0A2h and 0A6h) |
| | AX[6] | = 1 | BIOS support detailed EDID timing at power up |
| | AX[7] | = 1 | BIOS can use EDID information to setup the board at power up |

Sub-function 01h returns the 128 byte EDID information.

To Call: AL = 8Eh LCD Display Data Channel Support (DDC)
BL = 01h Return first block of EDID 1.x data

Returns: CX = Buffer size
DX:DI = Pointer to buffer

Comments: The BIOS does not check the validity of the EDID information captured from the LCD. It is the caller who must verify the EDID information before using it.

Sub-function 04h returns the 128 LCD DDC support information of the BIOS.

To Call: AL = 8Eh LCD Display Data Channel Support (DDC)
BL = 04h Return LCD DDC format supported by the BIOS

Returns: BX = 0 DDC2B used for communication
AX[1] = 1 DDC2B supported by BIOS (I²C address 0A0h)
AX[2] = 1 DDC2AB supported by BIOS
AX[3] = 1 DDC2B supported by BIOS (I²C address 0A2h and 0A6h)
AX[6] = 1 BIOS support detailed EDID timing at power up
AX[7] = 1 BIOS can use EDID information to setup the board at power up

Comments: Similar to Sub-function 0 except for no LCD DDC detection performing.

Sub-function 05h returns the 128 byte EDID information.

To Call: AL = 8Eh LCD Display Data Channel Support (DDC)
BL = 05h Return first block of EDID 2.x data

Returns: CX = Buffer size
DX:DI = Pointer to buffer

Comments: The BIOS does not check the validity of the EDID information captured from the LCD. It is the caller who must verify the EDID information before using it.

C.16 Function 04Exxh – System BIOS Int 15h

(not supported in RAGE XL)

RAGE XL is meant for the desktop PC market. This function is included in the PC BIOS.

Sub-function 02h – *Return Selected Expansion*

To Call: AX = 4Exxh System BIOS Int 15h
BL = 02h Return Selected Expansion

Returns: BL [0] = 1 Enable text expansion
BL [1] = 1 Enable graphics expansion
BL [7 - 2] = 000000b Reserved

Comments: If the function call is not supported or failed, default value will be used.

Sub-function 03h – *Return Selected Refresh Rate*

To Call: AX = 4Exxh System BIOS Int 15h
BL = 03h Return Selected Refresh Rate

Returns: BX [0] = 1 To select 50 Hz
BX [1] = 1 To select 56 Hz
BX [2] = 1 To select 60 Hz
BX [3] = 1 To select 67 Hz
BX [4] = 1 To select 70 Hz
BX [5] = 1 To select 72 Hz
BX [6] = 1 To select 75 Hz
BX [7] = 1 To select 76 Hz
BX [8] = 1 To select 85 Hz
BX [9] = 1 To select 90 Hz
BX [10] = 1 To select 100 Hz
BX [11] = 1 To select 120 Hz
BX [12] = 1 To select 140 Hz
BX [13] = 1 To select 150 Hz
BX [14] = 1 To select 160 Hz
BX [15] = 1 To select 200 Hz

Comments: If the function call is not supported or failed, default value will be used.

Sub-function 04h – Return Standby and Suspend Counter Values for Power Management (Timer Mode only)

To Call: AX = 4Exxh System BIOS Int 15h
BL = 04h Return standby and suspend counter values for power management (timer mode only)

Returns: BL [3 - 0] = Standby counter values in minutes
BL [7 - 4] = Suspend counter values in minutes

Comments: If the function call is not supported or failed, default values will be used.

Sub-function 05h – Return TV Standard

To Call: AX = 4Exxh System BIOS Int 15h
BL = 05h Return TV standard

Returns: BL = 0 NTSC
= 1 PAL
= 2 PAL-M
= 4 NTSC-J
= 5 PAL-CN
= 6 PAL-N

Comments: If the function call is not supported or failed, default values will be used.

Sub-function 06h – Return Power Management Mode

To Call: AX = 4Exxh System BIOS Int 15h
BL = 06h Return Power Management Mode

Returns: BL = 0 Non-ACPI mode
= 1 ACPI mode

Comments: If the function call is not supported or failed, default values will be used.

The format of **every** Functions return status words is as follows:

| | | |
|----|--------|---|
| AH | = 4Eh | Function is supported |
| | != 4Eh | Function is not supported |
| AL | = 00h | Function call successful |
| | = 01h | Function call failed |
| | = 02h | Function call not supported in current hardware configuration |
| | = 03h | Function call invalid in current video mode |

A non-zero value in the AH register should be treated as a general failure condition.

This page intentionally left blank.

Appendix D

TVOut Specific Functions

D.1 Introduction

This section will discuss only TVOut specific implementation. Information that is generic to the RAGE PRO product family should be referenced back to the RAGE PRO documentation.

D.2 Function 70h – Return / Select TVOut Configuration

This function returns / selects TVOut configuration information.

| | | | | |
|-----------------|----|---|-----|-------------------------------------|
| To Call: | AL | = | 70h | Return / Select TVOut configuration |
| | BL | = | 00h | Return request |

| | | | | |
|-----------------|----|---|-----------|-------------------------------------|
| Returns: | BX | = | 00000h | |
| | | | DX = 0 | TVOut is NOT detected |
| | | | DX = 'TB' | TVOut is detected but NOT supported |
| | BX | = | 05442h | |
| | | | BX = | TVOut is detected and supported |
| | | | CL = 0 | Current TV output is disabled |
| | | | CL = 1 | Current TV output is enabled |
| | | | CH = 0 | Use 29.49892 MHz reference clock |
| | | | CH = 1 | Use 28.63636 MHz reference clock |
| | | | CH = 2 | Use 14.31818 MHz reference clock |
| | | | CH = 3 | Use 27.00000 MHz reference clock |
| | | | DL = 1 | Enable TV output is requested |
| | | | DL = 0 | Disable TV output is requested |
| | | | DH = xx | TVOut revision code |

To Call:

| | | | |
|----|---|------|--|
| AL | = | 70h | Return / Select TVOut configuration |
| BL | = | 01h | Select request (Not supported in LT PRO) |
| CL | = | 000h | Disable TV output |
| CL | = | 080h | Disable TV output with the feature connector bit preserved |
| CL | = | 001h | Enable TV output |

Comments: Not supported in LT PRO and RAGE Mobility

To Call:

| | | | |
|----|---|-----|--|
| AL | = | 70h | Return / Select TVOut configuration |
| BL | = | 02h | Return TV attached information (Not supported in LT PRO) |

Returns:

| | | | |
|------------|---|---------|---|
| CL [0] | = | 1 | If TV is detected through the composite connector |
| CL [1] | = | 1 | If TV is detected through the S-video connector |
| CL [7 - 2] | = | 000000b | |

Comments: Not supported in LT PRO and RAGE Mobility

To Call:

| | | | |
|----|---|-----|--|
| AL | = | 70h | Return / Select TVOut configuration |
| BL | = | 03h | Select TV standard (Not supported in LT PRO) |
| CL | = | 0 | NTSC |
| | = | 1 | PAL |
| | = | 2 | PAL-M |
| | = | 3 | PAL-60 |
| | = | 4 | NTSC-J |
| | = | 5 | PAL-CN |
| | = | 6 | PAL-N |
| | = | 9 | SCART-PAL |

Comments: Not supported in LT PRO. This sub-function is supported only in multi-TV standard dynamic switching BIOS

| | | | | |
|-----------------|----|---|-----|--------------------------------------|
| To Call: | AL | = | 70h | Return / Select TVOut configuration |
| | BL | = | 04h | Return TV standard information table |

| | | | |
|-----------------|----|---|---|
| Returns: | BX | = | Offset of TV out information byte |
| | CX | = | Size of TV standard information table |
| | DX | = | Offset of TV standard information table |

Comments: Supported only in RAGE Mobility

D.3 Function 71h – Return TV Standard

This function returns TV standard information.

| | | | | |
|-----------------|----|---|-----|----------------------------|
| To Call: | AL | = | 71h | Return TV standard |
| | BL | = | 00h | Return current TV standard |

| | | | | |
|----------------|----|---|---|-----------|
| Return: | CL | = | 0 | NTSC |
| | | = | 1 | PAL |
| | | = | 2 | PAL-M |
| | | = | 3 | PAL-60 |
| | | = | 4 | NTSC-J |
| | | = | 5 | PAL-CN |
| | | = | 6 | PAL-N |
| | | = | 9 | SCART-PAL |

| | | | | |
|-----------------|----|---|-----|--|
| To Call: | AL | = | 71h | Return TV standard |
| | BL | = | 01h | Return supported TV standard (Not supported in LT PRO) |

| | | | | |
|----------------|--------------|---|---------|---------------------------|
| Return: | CX [0] | = | 1 | If NTSC is supported |
| | CX [1] | = | 1 | If PAL is supported |
| | CX [2] | = | 1 | If PAL-M is supported |
| | CX [3] | = | 1 | If PAL-60 is supported |
| | CX [4] | = | 1 | If NTSC-J is supported |
| | CX [5] | = | 1 | If PAL-CN is supported |
| | CX [6] | = | 1 | If PAL-N is supported |
| | CX [8 - 7] | = | 00b | Reserved |
| | CX [9] | = | 1 | If SCART-PAL is supported |
| | CX [15 - 10] | = | 000000b | Reserved |

Comments: Not supported in LT PRO. This sub-function is supported only in multi-TV standard dynamic switching BIOS

D.4 Function 72h – Re-initialize Digital Signal Processor

This function re-initializes the Digital signal processor’s FIFO.

D.5 Function 73h – Return / Select TVOut Auto-Display Switch

This function returns / selects TVOut auto-display switch information. This function is not supported in LT PRO.

| | | | | |
|-----------------|----|---|-----|---|
| To Call: | AL | = | 73h | Return / Select TVOut auto-display switch |
| | BL | = | 00h | Return request (Not supported in LT PRO) |

| | | | | |
|----------------|----|---|---|------------------------------------|
| Return: | CL | = | 0 | TVOut auto-display switch disabled |
| | | = | 1 | TVOut auto-display switch enabled |

Comments: Not supported in LT PRO and RAGE Mobility

| | | | | |
|-----------------|----|---|-----|---|
| To Call: | AL | = | 73h | Return / Select TVOut auto-display switch |
| | BL | = | 01h | Select request |
| | CL | = | 0 | Disable TVOut auto-display switch |
| | | = | 1 | Enable TVOut auto-display switch |

Comments: Not supported in LT PRO and RAGE Mobility

D.6 Function 74h – Return TVOut Aligner Information For Slow Aligner Algorithm

This function returns / sets the TVOut aligner information using the slow aligner algorithm. This function is not supported in LT PRO.

To Call: AL = 74h Return TVOut Aligner information for Slow Aligner Algorithm
 DX:BX = Pointer to a buffer of 64 bytes

Return: CX = Number of entries in the TVOut Aligner information buffer
 DX:BX = TVOut Slow Aligner information

Comments: Not supported in LT PRO and RAGE Mobility.

Table D-1 TVOut Slow Aligner Information

| Offset (byte) | Content |
|---------------|----------------------------------|
| 0 - 3 | Delay map A for modes in group 0 |
| 4 - 7 | Delay map B for modes in group 0 |
| 8 | Clock delay for modes in group 0 |
| 9 - 12 | Delay map A for modes in group 1 |
| 13 - 16 | Delay map B for modes in group 1 |
| 17 | Clock delay for modes in group 1 |
| 18 - 21 | Delay map A for modes in group 2 |
| 22 - 25 | Delay map B for modes in group 2 |
| 26 | Clock delay for modes in group 2 |
| 27 - 30 | Delay map A for modes in group 3 |
| 31 - 34 | Delay map B for modes in group 3 |
| 35 | Clock delay for modes in group 3 |
| 36 - 39 | Delay map A for modes in group 4 |
| 40 - 43 | Delay map B for modes in group 4 |
| 44 | Clock delay for modes in group 4 |

D.7 Function 75h – Return TVOut Aligner Group

This function returns the aligner group of a specified resolution. This function is not supported in LT PRO.

To Call: AL = 75h Return TVOut Aligner group (for Slow Aligner Algorithm only)
 CX = Horizontal resolution
 DX = Vertical resolution

Return: CL = Aligner group for the specified resolution

Comments: Not supported in LT PRO and RAGE Mobility.

D.8 Function 76h – Return TVOut Aligner Information For Fast Aligner Algorithm

This function returns the TVOut aligner information using the fast aligner algorithm. This function is not supported in LT PRO.

To Call: AL = 76h Return TVOut Aligner information for Fast Aligner Algorithm
 DX:BX = Pointer to a buffer of 64 bytes

Return: DX:BX = TVOut Fast Aligner information

Comments: Not supported in LT PRO and RAGE Mobility.

Table D-2 TVOut Fast Aligner Information

| Offset (byte) | Content |
|---------------|----------------------|
| 0 - 1 | Data_delay_const [0] |
| 2 - 3 | Data_delay_const [1] |
| 4 - 5 | Data_delay_const [2] |
| 6 - 7 | Data_delay_const [3] |
| 8 - 9 | Data_delay_const [4] |
| 10 - 11 | Data_delay_const [5] |
| 12 - 13 | Data_delay_const [6] |
| 14 - 15 | Data_delay_const [7] |
| 16 - 17 | Uncertainty |
| 18 - 19 | Ns_per_tap |

Appendix E

CRTC Parameters

E.1 Introduction

Note that all clock selects in the following tables assume an ATI18818 clock chip.

E.2 CRTC Parameters for 640x480

640x480 60Hz Non-Interlaced

| CRTC_GEN_CNTL | | 0x00 | | |
|----------------|-------------|----------|-------------|-----------|
| DOT_CLOCK | | 25.18MHz | | |
| | Horizontal | | Vertical | |
| Screen Total | H_TOTAL | 0x63 | V_TOTAL | 0x20C |
| Screen Display | H_DISP | 0x4F | V_DISP | 0x1DF |
| Sync Start | H_SYNC_STRT | 0x51 | V_SYNC_STRT | 0x1E9 |
| Sync Width | H_SYNC_WID | 0x2C | V_SYNC_WID | 0x22 |
| Resolution | 640 | | 480 | |
| Scan Frequency | 31.469KHz | | 59.94Hz | |
| Polarity | (-) | | (-) | |
| Sync Width | 3.813us | 12 chars | 0.064ms | 2 lines |
| Front Porch | 0.636us | 2 chars | 0.318 ms | 10 lines |
| Back Porch | 1.907us | 6 chars | 1.048 ms | 33 lines |
| Active Time | 25.422us | 80 chars | 15.253ms | 480 lines |
| Blank Time | 6.356us | 20 chars | 1.430ms | 45 lines |

640x480 72Hz Non-Interlaced

| CRTC_GEN_CNTL | | 0x00 | | |
|----------------------|-------------------|-----------------|-----------------|-----------|
| DOT_CLOCK | | 31.20MHz | | |
| | Horizontal | | Vertical | |
| Screen Total | H_TOTAL | 0x67 | V_TOTAL | 0x207 |
| Screen Display | H_DISP | 0x4F | V_DISP | 0x1DF |
| Sync Start | H_SYNC_STRT | 0x52 | V_SYNC_STRT | 0x1E8 |
| Sync Width | H_SYNC_WID | 0x25 | V_SYNC_WID | 0x23 |
| Resolution | 640 | | 480 | |
| Scan Frequency | 37.500KHz | | 72.12Hz | |
| Polarity | (-) | | (-) | |
| Sync Width | 1.282us | 5 chars | 0.080ms | 3 lines |
| Front Porch | 0.769us | 3 chars | 0.240ms | 9 lines |
| Back Porch | 4.103us | 16 chars | 0.747ms | 28 lines |
| Active Time | 20.513us | 80 chars | 12.800ms | 480 lines |
| Blank Time | 6.154us | 24 chars | 1.067ms | 40 lines |

640x480 75Hz Non-Interlaced

| CRTC_GEN_CNTL | | 0x00 | | |
|----------------------|-------------------|-----------------|-----------------|-----------|
| DOT_CLOCK | | 31.50MHz | | |
| | Horizontal | | Vertical | |
| Screen Total | H_TOTAL | 0x68 | V_TOTAL | 0x01F3 |
| Screen Display | H_DISP | 0x4F | V_DISP | 0x01DF |
| Sync Start | H_SYNC_STRT | 0x51 | V_SYNC_STRT | 0x01E0 |
| Sync Width | H_SYNC_WID | 0x28 | V_SYNC_WID | 0x23 |
| Resolution | 640 | | 480 | |
| Scan Frequency | 37.500KHz | | 75.00Hz | |
| Polarity | (-) | | (-) | |
| Sync Width | 2.032us | 8 chars | 0.080ms | 3 lines |
| Front Porch | 0.508us | 2 chars | 0.027ms | 1 lines |
| Back Porch | 3.810us | 15 chars | 0.427ms | 16 lines |
| Active Time | 20.317us | 80 chars | 12.800ms | 480 lines |
| Blank Time | 6.349us | 25 chars | 0.533ms | 20 lines |

640x480 90Hz Non-Interlaced

| CRTC_GEN_CNTL | | 0x00 | | |
|----------------------|-------------------|-----------------|-----------------|-----------|
| DOT_CLOCK | | 39.91MHz | | |
| | Horizontal | | Vertical | |
| Screen Total | H_TOTAL | 0x67 | V_TOTAL | 0x214 |
| Screen Display | H_DISP | 0x4F | V_DISP | 0x01DF |
| Sync Start | H_SYNC_STRT | 0x53 | V_SYNC_STRT | 0x01F8 |
| Sync Width | H_SYNC_WID | 0x25 | V_SYNC_WID | 0x2E |
| Resolution | 640 | | 480 | |
| Scan Frequency | 47.969KHz | | 90.00Hz | |
| Polarity | (-) | | (-) | |
| Sync Width | 1.002us | 5 chars | 0.292ms | 14 lines |
| Front Porch | 0.902us | 4 chars | 0.521ms | 25 lines |
| Back Porch | 2.907us | 15 chars | 0.292ms | 14 lines |
| Active Time | 16.036us | 80 chars | 10.007ms | 480 lines |
| Blank Time | 4.811us | 24 chars | 1.105ms | 53 lines |

640x480 100Hz Non-Interlaced

| CRTC_GEN_CNTL | | 0x00 | | |
|----------------------|-------------------|-----------------|-----------------|-----------|
| DOT_CLOCK | | 44.90MHz | | |
| | Horizontal | | Vertical | |
| Screen Total | H_TOTAL | 0x69 | V_TOTAL | 0x0212 |
| Screen Display | H_DISP | 0x4F | V_DISP | 0x01DF |
| Sync Start | H_SYNC_STRT | 0x53 | V_SYNC_STRT | 0x01F5 |
| Sync Width | H_SYNC_WID | 0x30 | V_SYNC_WID | 0x2C |
| Resolution | 640 | | 480 | |
| Scan Frequency | 52.948KHz | | 99.71Hz | |
| Polarity | (-) | | (-) | |
| Sync Width | 2.851us | 16 chars | 0.227ms | 12 lines |
| Front Porch | 0.801us | 4 chars | 0.416ms | 22 lines |
| Back Porch | 0.981us | 6 chars | 0.322ms | 17 lines |
| Active Time | 14.254us | 80 chars | 9.065ms | 480 lines |
| Blank Time | 4.633us | 26 chars | 0.963ms | 51 lines |

C.36 CRTC Parameters for 800x600

800x600 48Hz Interlaced

| CRTC_GEN_CNTL | | 0X02 | | |
|----------------|-------------|-----------|-------------|-----------|
| DOT_CLOCK | | 36.00MHz | | |
| | Horizontal | | Vertical | |
| Screen Total | H_TOTAL | 0x84 | V_TOTAL | 0x2BD |
| Screen Display | H_DISP | 0x63 | V_DISP | 0x257 |
| Sync Start | H_SYNC_STRT | 0x6D | V_SYNC_STRT | 0x262 |
| Sync Width | H_SYNC_WID | 0x10 | V_SYNC_WID | 0xC |
| Resolution | 800 | | 600 | |
| Scan Frequency | 33.835KHz | | 96.39Hz | |
| Polarity | (+) | | (+) | |
| Sync Width | 3.556us | 16 chars | 0.177ms | 12 lines |
| Front Porch | 2.222us | 10 chars | 0.163ms | 11 lines |
| Back Porch | 1.555us | 7 chars | 1.167ms | 79 lines |
| Active Time | 22.222us | 100 chars | 8.867ms | 600 lines |
| Blank Time | 7.333us | 33 chars | 1.507ms | 102 lines |

800x600 56Hz Non-Interlaced

| CRTC_GEN_CNTL | | 0x00 | | |
|----------------|-------------|-----------|-------------|-----------|
| DOT_CLOCK | | 36.00MHz | | |
| | Horizontal | | Vertical | |
| Screen Total | H_TOTAL | 0x7F | V_TOTAL | 0x270 |
| Screen Display | H_DISP | 0x63 | V_DISP | 0x257 |
| Sync Start | H_SYNC_STRT | 0x66 | V_SYNC_STRT | 0x258 |
| Sync Width | H_SYNC_WID | 0x9 | V_SYNC_WID | 0x2 |
| Resolution | 800 | | 600 | |
| Scan Frequency | 35.156KHz | | 56.25Hz | |
| Polarity | (+) | | (+) | |
| Sync Width | 2.000us | 9 chars | 0.057ms | 2 lines |
| Front Porch | 0.667us | 3 chars | 0.028ms | 1 lines |
| Back Porch | 3.555us | 16 chars | 0.626ms | 22 lines |
| Active Time | 22.222us | 100 chars | 17.067ms | 600 lines |
| Blank Time | 6.222us | 28 chars | 0.711ms | 25 lines |

800x600 60Hz Non-Interlaced

| CRTC_GEN_CNTL | | 0x00 | | |
|----------------------|-------------------|-----------------|-----------------|-----------|
| DOT_CLOCK | | 40.00MHz | | |
| | Horizontal | | Vertical | |
| Screen Total | H_TOTAL | 0x83 | V_TOTAL | 0x273 |
| Screen Display | H_DISP | 0x63 | V_DISP | 0x257 |
| Sync Start | H_SYNC_STRT | 0x68 | V_SYNC_STRT | 0x258 |
| Sync Width | H_SYNC_WID | 0x10 | V_SYNC_WID | 0x4 |
| Resolution | 800 | | 600 | |
| Scan Frequency | 37.879KHz | | 60.32Hz | |
| Polarity | (+) | | (+) | |
| Sync Width | 3.200us | 16 chars | 0.106ms | 4 lines |
| Front Porch | 1.000us | 5 chars | 0.026ms | 1 lines |
| Back Porch | 2.200us | 11 chars | 0.607ms | 23 lines |
| Active Time | 20.000us | 100 chars | 15.840ms | 600 lines |
| Blank Time | 6.400us | 32 chars | 0.739ms | 28 lines |

800x600 70Hz Non-Interlaced

| CRTC_GEN_CNTL | | 0x00 | | |
|----------------------|-------------------|-----------------|-----------------|-----------|
| DOT_CLOCK | | 44.90MHz | | |
| | Horizontal | | Vertical | |
| Screen Total | H_TOTAL | 0x7D | V_TOTAL | 0x27B |
| Screen Display | H_DISP | 0x63 | V_DISP | 0x257 |
| Sync Start | H_SYNC_STRT | 0x66 | V_SYNC_STRT | 0x260 |
| Sync Width | H_SYNC_WID | 0x12 | V_SYNC_WID | 0x2C |
| Resolution | 800 | | 600 | |
| Scan Frequency | 44.544KHz | | 70.04Hz | |
| Polarity | (+) | | (-) | |
| Sync Width | 3.207us | 18 chars | 0.269ms | 12 lines |
| Front Porch | 0.535us | 3 chars | 0.202ms | 9 lines |
| Back Porch | 0.891us | 5 chars | 0.337ms | 15 lines |
| Active Time | 17.817us | 100 chars | 13.470ms | 600 lines |
| Blank Time | 4.633us | 26 chars | 0.808ms | 36 lines |

800x600 72Hz Non-Interlaced

| CRTC_GEN_CNTL | | 0x00 | | |
|----------------------|-------------------|-----------------|-----------------|-----------|
| DOT_CLOCK | | 50.00MHz | | |
| | Horizontal | | Vertical | |
| Screen Total | H_TOTAL | 0x81 | V_TOTAL | 0x299 |
| Screen Display | H_DISP | 0x63 | V_DISP | 0x257 |
| Sync Start | H_SYNC_STRT | 0x6A | V_SYNC_STRT | 0x27C |
| Sync Width | H_SYNC_WID | 0xF | V_SYNC_WID | 0x6 |
| Resolution | 800 | | 600 | |
| Scan Frequency | 48.090KHz | | 72.19Hz | |
| Polarity | (+) | | (+) | |
| Sync Width | 2.400us | 15 chars | 0.125ms | 6 lines |
| Front Porch | 1.120us | 7 chars | 0.769ms | 37 lines |
| Back Porch | 1.280us | 8 chars | 0.478ms | 23 lines |
| Active Time | 16.000us | 100 chars | 12.477ms | 600 lines |
| Blank Time | 4.800us | 30 chars | 1.372ms | 66 lines |

800x600 75Hz Non-Interlaced

| CRTC_GEN_CNTL | | 0x00 | | |
|----------------------|-------------------|-----------------|-----------------|-----------|
| DOT_CLOCK | | 49.50MHz | | |
| | Horizontal | | Vertical | |
| Screen Total | H_TOTAL | 0x83 | V_TOTAL | 0x0270 |
| Screen Display | H_DISP | 0x63 | V_DISP | 0x0257 |
| Sync Start | H_SYNC_STRT | 0x65 | V_SYNC_STRT | 0x0258 |
| Sync Width | H_SYNC_WID | 0x0A | V_SYNC_WID | 0x03 |
| Resolution | 800 | | 600 | |
| Scan Frequency | 46.875KHz | | 75.00Hz | |
| Polarity | (+) | | (+) | |
| Sync Width | 1.616us | 10 chars | 0.064ms | 3 lines |
| Front Porch | 0.323us | 2 chars | 0.021ms | 1 lines |
| Back Porch | 3.232us | 20 chars | 0.448ms | 21 lines |
| Active Time | 16.162us | 100 chars | 12.800ms | 600 lines |
| Blank Time | 5.172us | 32 chars | 0.533ms | 25 lines |

800x600 90Hz Non-Interlaced

| CRTC_GEN_CNTL | | 0x00 | | |
|----------------------|-------------------|-----------------|-----------------|-----------|
| DOT_CLOCK | | 56.64MHz | | |
| | Horizontal | | Vertical | |
| Screen Total | H_TOTAL | 0x7B | V_TOTAL | 0x27A |
| Screen Display | H_DISP | 0x63 | V_DISP | 0x257 |
| Sync Start | H_SYNC_STRT | 0x64 | V_SYNC_STRT | 0x25F |
| Sync Width | H_SYNC_WID | 0x08 | V_SYNC_WID | 0x0B |
| Resolution | 800 | | 600 | |
| Scan Frequency | 57.097KHz | | 89.92Hz | |
| Polarity | (+) (+) | | (+) (+) | |
| Sync Width | 1.130us | 8 chars | 0.193ms | 11 lines |
| Front Porch | 0.071us | 1 chars | 0.140ms | 8 lines |
| Back Porch | 2.189us | 15 chars | 0.280ms | 16 lines |
| Active Time | 14.124us | 100 chars | 10.508ms | 600 lines |
| Blank Time | 3.390us | 24 chars | 0.613ms | 35 lines |

800x600 100Hz Non-Interlaced

| CRTC_GEN_CNTL | | 0x00 | | |
|----------------------|-------------------|-----------------|-----------------|-----------|
| DOT_CLOCK | | 67.50MHz | | |
| | Horizontal | | Vertical | |
| Screen Total | H_TOTAL | 0x86 | V_TOTAL | 0x0270 |
| Screen Display | H_DISP | 0x63 | V_DISP | 0x0257 |
| Sync Start | H_SYNC_STRT | 0x63 | V_SYNC_STRT | 0x025E |
| Sync Width | H_SYNC_WID | 0x08 | V_SYNC_WID | 0x04 |
| Resolution | 800 | | 600 | |
| Scan Frequency | 62.500KHz | | 100.00Hz | |
| Polarity | (+) (+) | | (+) (+) | |
| Sync Width | 0.948us | 8 chars | 0.064ms | 4 lines |
| Front Porch | 0.000us | 0 chars | 0.112ms | 7 lines |
| Back Porch | 3.200us | 27 chars | 0.224ms | 14 lines |
| Active Time | 11.852us | 100 chars | 9.600ms | 600 lines |
| Blank Time | 4.148us | 35 chars | 0.400ms | 25 lines |

E.3 CRTC Parameters for 1024x768

1024x768 43Hz Interlaced

| CRTC_GEN_CNTL | | 0x02 | | |
|----------------|-------------|-----------|-------------|-----------|
| DOT_CLOCK | | 44.90MHz | | |
| | Horizontal | | Vertical | |
| Screen Total | H_TOTAL | 0x9D | V_TOTAL | 0x330 |
| Screen Display | H_DISP | 0x7F | V_DISP | 0x2FF |
| Sync Start | H_SYNC_STRT | 0x80 | V_SYNC_STRT | 0x300 |
| Sync Width | H_SYNC_WID | 0x16 | V_SYNC_WID | 0x8 |
| Resolution | 1024 | | 768 | |
| Scan Frequency | 35.522KHz | | 86.96Hz | |
| Polarity | (+) (+) | | (+) (+) | |
| Sync Width | 3.920us | 22 chars | 0.113ms | 8 lines |
| Front Porch | 0.178us | 1 chars | 0.014ms | 1 lines |
| Back Porch | 1.247us | 7 chars | 0.563ms | 40 lines |
| Active Time | 22.806us | 128 chars | 10.810ms | 768 lines |
| Blank Time | 5.345us | 30 chars | 0.690ms | 49 lines |

1024x768 60Hz Non-Interlaced

| CRTC_GEN_CNTL | | 0x00 | | |
|----------------|-------------|-----------|-------------|-----------|
| DOT_CLOCK | | 65.00MHz | | |
| | Horizontal | | Vertical | |
| Screen Total | H_TOTAL | 0xA7 | V_TOTAL | 0x325 |
| Screen Display | H_DISP | 0x7F | V_DISP | 0x2FF |
| Sync Start | H_SYNC_STRT | 0x82 | V_SYNC_STRT | 0x302 |
| Sync Width | H_SYNC_WID | 0x31 | V_SYNC_WID | 0x26 |
| Resolution | 1024 | | 768 | |
| Scan Frequency | 48.363KHz | | 60.00Hz | |
| Polarity | (-) (-) | | (-) (-) | |
| Sync Width | 2.092us | 17 chars | 0.124ms | 6 lines |
| Front Porch | 0.369us | 3 chars | 0.062ms | 3 lines |
| Back Porch | 2.462us | 20 chars | 0.601ms | 29 lines |
| Active Time | 15.754us | 128 chars | 15.880ms | 768 lines |
| Blank Time | 4.923us | 40 chars | 0.786ms | 38 lines |

1024X768 70Hz Non-Interlaced

| CRTC_GEN_CNTL | | 0x00 | | |
|----------------------|-------------------|-----------------|-----------------|-----------|
| DOT_CLOCK | | 75.00MHz | | |
| | Horizontal | | Vertical | |
| Screen Total | H_TOTAL | 0xA5 | V_TOTAL | 0x325 |
| Screen Display | H_DISP | 0x7F | V_DISP | 0x2FF |
| Sync Start | H_SYNC_STRT | 0x82 | V_SYNC_STRT | 0x302 |
| Sync Width | H_SYNC_WID | 0x31 | V_SYNC_WID | 0x26 |
| Resolution | 1024 | | 768 | |
| Scan Frequency | 56.476KHz | | 70.07Hz | |
| Polarity | (-) | | (-) | |
| Sync Width | 1.813us | 17 chars | 0.106ms | 6 lines |
| Front Porch | 0.320us | 3 chars | 0.053ms | 3 lines |
| Back Porch | 1.921us | 18 chars | 0.514ms | 29 lines |
| Active Time | 13.653us | 128 chars | 13.599ms | 768 lines |
| Blank Time | 4.053us | 38 chars | 0.673ms | 38 lines |

1024x768 72Hz Non-Interlaced

| CRTC_GEN_CNTL | | 0x00 | | |
|----------------------|-------------------|-----------------|-----------------|-----------|
| DOT_CLOCK | | 75.00MHz | | |
| | Horizontal | | Vertical | |
| Screen Total | H_TOTAL | 0xA0 | V_TOTAL | 0x325 |
| Screen Display | H_DISP | 0x7F | V_DISP | 0x2FF |
| Sync Start | H_SYNC_STRT | 0x82 | V_SYNC_STRT | 0x302 |
| Sync Width | H_SYNC_WID | 0x31 | V_SYNC_WID | 0x26 |
| Resolution | 1024 | | 768 | |
| Scan Frequency | 58.230KHz | | 72.245Hz | |
| Polarity | (-) | | (-) | |
| Sync Width | 1.813us | 17 chars | 0.103ms | 6 lines |
| Front Porch | 0.320us | 3 chars | 0.052ms | 3 lines |
| Back Porch | 1.387us | 13 chars | 0.498ms | 29 lines |
| Active Time | 13.653us | 128 chars | 13.189ms | 768 lines |
| Blank Time | 3.520us | 33 chars | 0.653ms | 38 lines |

1024x768 75Hz Non-Interlaced

| CRTC_GEN_CNTL | | 0x00 | | |
|----------------------|-------------------|-----------------|-----------------|-----------|
| DOT_CLOCK | | 78.75MHz | | |
| | Horizontal | | Vertical | |
| Screen Total | H_TOTAL | 0xA3 | V_TOTAL | 0x031F |
| Screen Display | H_DISP | 0x7F | V_DISP | 0x02FF |
| Sync Start | H_SYNC_STRT | 0x81 | V_SYNC_STRT | 0x0300 |
| Sync Width | H_SYNC_WID | 0x0C | V_SYNC_WID | 0x03 |
| Resolution | 1024 | | 768 | |
| Scan Frequency | 60.023KHz | | 75.03Hz | |
| Polarity | (+) (+) | | (+) (+) | |
| Sync Width | 1.219us | 12 chars | 0.050ms | 3 lines |
| Front Porch | 0.203us | 2 chars | 0.017ms | 1 lines |
| Back Porch | 2.235us | 22 chars | 0.466ms | 28 lines |
| Active Time | 13.003us | 128 chars | 12.795ms | 768 lines |
| Blank Time | 3.657us | 36 chars | 0.533ms | 32 lines |

1024x768 90Hz Non-Interlaced

| CRTC_GEN_CNTL | | 0x00 | | |
|----------------------|-------------------|-----------------|-----------------|-----------|
| DOT_CLOCK | | 100.0MHz | | |
| | Horizontal | | Vertical | |
| Screen Total | H_TOTAL | 0xA3 | V_TOTAL | 0x34C |
| Screen Display | H_DISP | 0x7F | V_DISP | 0x2FF |
| Sync Start | H_SYNC_STRT | 0x7F | V_SYNC_STRT | 0x314 |
| Sync Width | H_SYNC_WID | 0x2C | V_SYNC_WID | 0x2F |
| Resolution | 1024 | | 768 | |
| Scan Frequency | 76.220KHz | | 90.20Hz | |
| Polarity | (-) (-) | | (-) (-) | |
| Sync Width | 0.960us | 12 chars | 0.197ms | 15 lines |
| Front Porch | 0.000us | 0 chars | 0.276ms | 21 lines |
| Back Porch | 1.920us | 24 chars | 0.537ms | 41 lines |
| Active Time | 10.240us | 128 chars | 10.076ms | 768 lines |
| Blank Time | 2.880us | 36 chars | 1.010ms | 77 lines |

1024x768 100Hz Non-Interlaced

| CRTC_GEN_CNTL | | 0x00 | | |
|----------------------|-------------------|-----------------|-----------------|-----------|
| DOT_CLOCK | | 110.0MHz | | |
| | Horizontal | | Vertical | |
| Screen Total | H_TOTAL | 0xAD | V_TOTAL | 0x0317 |
| Screen Display | H_DISP | 0x7F | V_DISP | 0x02FF |
| Sync Start | H_SYNC_STRT | 0x7F | V_SYNC_STRT | 0x02FF |
| Sync Width | H_SYNC_WID | 0x2B | V_SYNC_WID | 0x28 |
| Resolution | 1024 | | 768 | |
| Scan Frequency | 79.023KHz | | 99.78Hz | |
| Polarity | (-) | | (-) | |
| Sync Width | 0.800us | 11 chars | 0.101ms | 8 lines |
| Front Porch | 0.000us | 0 chars | 0.000ms | 0 lines |
| Back Porch | 2.545us | 35 chars | 0.202ms | 16 lines |
| Active Time | 9.309us | 128 chars | 9.719ms | 768 lines |
| Blank Time | 3.345us | 46 chars | 0.304ms | 24 lines |

E.4 CRTC Parameters for 1152x864**1152x864 43Hz Interlaced**

| CRTC_GEN_CNTL | | 0x02 | | |
|----------------------|-------------------|----------------|-----------------|-----------|
| DOT_CLOCK | | 65.0MHz | | |
| | Horizontal | | Vertical | |
| Screen Total | H_TOTAL | 0xB0 | V_TOTAL | 0x041E |
| Screen Display | H_DISP | 0x8F | V_DISP | 0x035F |
| Sync Start | H_SYNC_STRT | 0x98 | V_SYNC_STRT | 0x03AD |
| Sync Width | H_SYNC_WID | 0x10 | V_SYNC_WID | 0x09 |
| Resolution | 1152 | | 864 | |
| Scan Frequency | 45.904KHz | | 87.02Hz | |
| Polarity | (+) | | (+) | |
| Sync Width | 1.969us | 16 chars | 0.098ms | 9 lines |
| Front Porch | 1.062us | 9 chars | 0.850ms | 78 lines |
| Back Porch | 1.031us | 8 chars | 1.133ms | 104 lines |
| Active Time | 17.723us | 144 chars | 9.411ms | 864 lines |
| Blank Time | 4.062us | 33 chars | 2.080ms | 191 lines |

1152X864 47Hz Interlaced

| CRTC_GEN_CNTL | | 0x02 | | |
|----------------------|-------------------|----------------|-----------------|-----------|
| DOT_CLOCK | | 65.0MHz | | |
| | Horizontal | | Vertical | |
| Screen Total | H_TOTAL | 0xB4 | V_TOTAL | 0x03B2 |
| Screen Display | H_DISP | 0x8F | V_DISP | 0x035F |
| Sync Start | H_SYNC_STRT | 0x9A | V_SYNC_STRT | 0x037D |
| Sync Width | H_SYNC_WID | 0x10 | V_SYNC_WID | 0x09 |
| Resolution | 1152 | | 864 | |
| Scan Frequency | 44.890KHz | | 94.80Hz | |
| Polarity | (+) (+) | | (+) (+) | |
| Sync Width | 1.969us | 16 chars | 0.100ms | 9 lines |
| Front Porch | 1.415us | 11 chars | 0.334ms | 30 lines |
| Back Porch | 1.170us | 10 chars | 0.490ms | 44 lines |
| Active Time | 17.723us | 144 chars | 9.624ms | 864 lines |
| Blank Time | 4.554us | 37 chars | 0.924ms | 83 lines |

1152X864 60Hz Non-Interlaced

| CRTC_GEN_CNTL | | 0x00 | | |
|----------------------|-------------------|----------------|-----------------|-----------|
| DOT_CLOCK | | 80.0MHz | | |
| | Horizontal | | Vertical | |
| Screen Total | H_TOTAL | 0xB5 | V_TOTAL | 0x0393 |
| Screen Display | H_DISP | 0x8F | V_DISP | 0x035F |
| Sync Start | H_SYNC_STRT | 0x97 | V_SYNC_STRT | 0x0365 |
| Sync Width | H_SYNC_WID | 0x0E | V_SYNC_WID | 0x05 |
| Resolution | 1152 | | 864 | |
| Scan Frequency | 54.945KHz | | 59.98Hz | |
| Polarity | (+) (+) | | (+) (+) | |
| Sync Width | 1.400us | 14 chars | 0.091ms | 5 lines |
| Front Porch | 0.800us | 8 chars | 0.109ms | 6 lines |
| Back Porch | 1.600us | 16 chars | 0.746ms | 41 lines |
| Active Time | 14.400us | 144 chars | 15.725ms | 864 lines |
| Blank Time | 3.800us | 38 chars | 0.946ms | 52 lines |

1152X864 70Hz Non-Interlaced

| CRTC_GEN_CNTL | | 0x00 | | |
|----------------------|-------------------|-----------------|-----------------|-----------|
| DOT_CLOCK | | 100.0MHz | | |
| | Horizontal | | Vertical | |
| Screen Total | H_TOTAL | 0xBC | V_TOTAL | 0x03B0 |
| Screen Display | H_DISP | 0x8F | V_DISP | 0x035F |
| Sync Start | H_SYNC_STRT | 0x94 | V_SYNC_STRT | 0x036C |
| Sync Width | H_SYNC_WID | 0x13 | V_SYNC_WID | 0x0B |
| Resolution | 1152 | | 864 | |
| Scan Frequency | 66.138KHz | | 69.99Hz | |
| Polarity | (+) | | (+) | |
| Sync Width | 1.520us | 19 chars | 0.166ms | 11 lines |
| Front Porch | 0.390us | 5 chars | 0.197ms | 13 lines |
| Back Porch | 1.690us | 21 chars | 0.862ms | 57 lines |
| Active Time | 11.520us | 144 chars | 13.064ms | 864 lines |
| Blank Time | 3.600us | 45 chars | 1.225ms | 81 lines |

1152X864 75Hz Non-Interlaced

| CRTC_GEN_CNTL | | 0x00 | | |
|----------------------|-------------------|-----------------|-----------------|-----------|
| DOT_CLOCK | | 110.0MHz | | |
| | Horizontal | | Vertical | |
| Screen Total | H_TOTAL | 0xB6 | V_TOTAL | 0x03E9 |
| Screen Display | H_DISP | 0x8F | V_DISP | 0x035F |
| Sync Start | H_SYNC_STRT | 0x92 | V_SYNC_STRT | 0x038C |
| Sync Width | H_SYNC_WID | 0x12 | V_SYNC_WID | 0x08 |
| Resolution | 1152 | | 864 | |
| Scan Frequency | 75.137KHz | | 74.99Hz | |
| Polarity | (+) | | (+) | |
| Sync Width | 1.309us | 18 chars | 0.106ms | 8 lines |
| Front Porch | 0.245us | 3 chars | 0.599ms | 45 lines |
| Back Porch | 1.282us | 18 chars | 1.132ms | 85 lines |
| Active Time | 10.473us | 144 chars | 11.499ms | 864 lines |
| Blank Time | 2.836us | 39 chars | 1.837ms | 138 lines |

1152X864 80Hz Non-Interlaced

| CRTC_GEN_CNTL | | 0x00 | | |
|----------------------|-------------------|-----------------|-----------------|-----------|
| DOT_CLOCK | | 110.0MHz | | |
| | Horizontal | | Vertical | |
| Screen Total | H_TOTAL | 0xB3 | V_TOTAL | 0x03BD |
| Screen Display | H_DISP | 0x8F | V_DISP | 0x035F |
| Sync Start | H_SYNC_STRT | 0x91 | V_SYNC_STRT | 0x037D |
| Sync Width | H_SYNC_WID | 0x0E | V_SYNC_WID | 0x07 |
| Resolution | 1152 | | 864 | |
| Scan Frequency | 76.389KHz | | 79.74Hz | |
| Polarity | (+) | | (+) | |
| Sync Width | 1.018us | 14 chars | 0.092ms | 7 lines |
| Front Porch | 0.127us | 2 chars | 0.393ms | 30 lines |
| Back Porch | 1.473us | 20 chars | 0.747ms | 57 lines |
| Active Time | 10.473us | 144 chars | 11.311ms | 864 lines |
| Blank Time | 2.618us | 36 chars | 1.231ms | 94 lines |

E.5 CRTC Parameters for 1280x1024

1280x1024 43Hz Interlaced

| CRTC_GEN_CNTL | | 0x02 | | |
|----------------------|-------------------|-----------------|-----------------|------------|
| DOT_CLOCK | | 80.00MHz | | |
| | Horizontal | | Vertical | |
| Screen Total | H_TOTAL | 0xC7 | V_TOTAL | 0x47C |
| Screen Display | H_DISP | 0x9F | V_DISP | 0x3FF |
| Sync Start | H_SYNC_STRT | 0xA9 | V_SYNC_STRT | 0x431 |
| Sync Width | H_SYNC_WID | 0xA | V_SYNC_WID | 0xA |
| Resolution | 1024 | | 1024 | |
| Scan Frequency | 50.000KHz | | 87.03Hz | |
| Polarity | (+) | | (+) | |
| Sync Width | 1.000us | 10 chars | 0.100ms | 10 lines |
| Front Porch | 1.000us | 10 chars | 0.500ms | 50 lines |
| Back Porch | 2.000us | 20 chars | 0.650ms | 65 lines |
| Active Time | 16.000us | 160 chars | 10.240ms | 1024 lines |

| | | | | |
|------------|---------|----------|---------|-----------|
| Blank Time | 4.000us | 40 chars | 1.250ms | 125 lines |
|------------|---------|----------|---------|-----------|

1280x1024 47Hz Interlaced

| | | | | |
|----------------------|-------------------|-----------------|-----------------|------------|
| CRTC_GEN_CNTL | | 0x02 | | |
| DOT_CLOCK | | 80.00MHz | | |
| | Horizontal | | Vertical | |
| Screen Total | H_TOTAL | 0xC7 | V_TOTAL | 0x41C |
| Screen Display | H_DISP | 0x9F | V_DISP | 0x3FF |
| Sync Start | H_SYNC_STRT | 0xA9 | V_SYNC_STRT | 0x400 |
| Sync Width | H_SYNC_WID | 0xA | V_SYNC_WID | 0xA |
| Resolution | 1280 | | 1024 | |
| Scan Frequency | 50.000KHz | | 94.97Hz | |
| Polarity | (+) | | (+) | |
| Sync Width | 1.000us | 10 chars | 0.100ms | 10 lines |
| Front Porch | 1.000us | 10 chars | 0.010ms | 1 line |
| Back Porch | 2.000us | 20 chars | 0.180ms | 18 lines |
| Active Time | 16.000us | 160 chars | 10.240ms | 1024 lines |
| Blank Time | 4.000us | 40 chars | 0.290ms | 29 lines |

1280x1024 60Hz Non-Interlaced

| | | | | |
|----------------------|-------------------|------------------|-----------------|----------|
| CRTC_GEN_CNTL | | 0x00 | | |
| DOT_CLOCK | | 108.00MHz | | |
| | Horizontal | | Vertical | |
| Screen Total | H_TOTAL | 0xD2 | V_TOTAL | 0x429 |
| Screen Display | H_DISP | 0x9F | V_DISP | 0x3FF |
| Sync Start | H_SYNC_STRT | 0xA5 | V_SYNC_STRT | 0x400 |
| Sync Width | H_SYNC_WID | 0x0E | V_SYNC_WID | 0x03 |
| Resolution | 1280 | | 1024 | |
| Scan Frequency | 63.981KHz | | 60.02Hz | |
| Polarity | (+) | | (+) | |
| Sync Width | 1.037us | 14 chars | 0.047ms | 3 lines |
| Front Porch | 0.444us | 6 chars | 0.015ms | 1 line |
| Back Porch | 2.297us | 31 chars | 0.594ms | 38 lines |

CRTC Parameters for 1280x1024

| | | | | |
|-------------|----------|-----------|----------|------------|
| Active Time | 11.852us | 160 chars | 16.005ms | 1024 lines |
| Blank Time | 3.778us | 51 chars | 0.656ms | 42 lines |

1280x1024 70Hz Non-Interlaced

| | | | | |
|----------------------|-------------------|------------------|-----------------|------------|
| CRTC_GEN_CNTL | | 0x00 | | |
| DOT_CLOCK | | 126.00MHz | | |
| | Horizontal | | Vertical | |
| Screen Total | H_TOTAL | 0xD2 | V_TOTAL | 0x429 |
| Screen Display | H_DISP | 0x9F | V_DISP | 0x3FF |
| Sync Start | H_SYNC_STRT | 0xA9 | V_SYNC_STRT | 0x400 |
| Sync Width | H_SYNC_WID | 0xE | V_SYNC_WID | 0x5 |
| Resolution | 1280 | | 1024 | |
| Scan Frequency | 74.645KHz | | 70.02Hz | |
| Polarity | (+) | | (+) | |
| Sync Width | 0.889us | 14 chars | 0.067ms | 5 lines |
| Front Porch | 0.635us | 10 chars | 0.013ms | 1 lines |
| Back Porch | 1.714us | 27 chars | 0.483ms | 36 lines |
| Active Time | 10.159us | 160 chars | 13.718ms | 1024 lines |
| Blank Time | 3.238us | 51 chars | 0.563ms | 42 lines |

1280x1024 74Hz Non-Interlaced

| | | | | |
|----------------------|-------------------|------------------|-----------------|----------|
| CRTC_GEN_CNTL | | 0x00 | | |
| DOT_CLOCK | | 135.00MHz | | |
| | Horizontal | | Vertical | |
| Screen Total | H_TOTAL | 0xD5 | V_TOTAL | 0x427 |
| Screen Display | H_DISP | 0x9F | V_DISP | 0x3FF |
| Sync Start | H_SYNC_STRT | 0xA3 | V_SYNC_STRT | 0x3FF |
| Sync Width | H_SYNC_WID | 0x12 | V_SYNC_WID | 0x1E |
| Resolution | 1280 | | 1024 | |
| Scan Frequency | 78.855KHz | | 74.11Hz | |
| Polarity | (+) | | (+) | |
| Sync Width | 1.067us | 18 chars | 0.380ms | 30 lines |
| Front Porch | 0.237us | 4 chars | 0.000ms | 0 lines |
| Back Porch | 1.896us | 32 chars | 0.127ms | 10 lines |

| | | | | |
|-------------|---------|-----------|----------|------------|
| Active Time | 9.481us | 160 chars | 12.986ms | 1024 lines |
| Blank Time | 3.200us | 54 chars | 0.507ms | 40 lines |

1280x1024 75Hz Non-Interlaced

| | | | | |
|----------------------|-------------------|------------------|-----------------|------------|
| CRTC_GEN_CNTL | | 0x00 | | |
| DOT_CLOCK | | 135.00MHz | | |
| | Horizontal | | Vertical | |
| Screen Total | H_TOTAL | 0xD2 | V_TOTAL | 0x429 |
| Screen Display | H_DISP | 0x9F | V_DISP | 0x03FF |
| Sync Start | H_SYNC_STRT | 0xA1 | V_SYNC_STRT | 0x0400 |
| Sync Width | H_SYNC_WID | 0x12 | V_SYNC_WID | 0x03 |
| Resolution | 1280 | | 1024 | |
| Scan Frequency | 79.976KHz | | 75.02Hz | |
| Polarity | (+) | | (+) | |
| Sync Width | 1.067us | 18 chars | 0.038ms | 3 lines |
| Front Porch | 0.119us | 2 chars | 0.012ms | 1 line |
| Back Porch | 1.837us | 31 chars | 0.475ms | 38 lines |
| Active Time | 9.481us | 160 chars | 12.804ms | 1024 lines |
| Blank Time | 3.022us | 51 chars | 0.525ms | 42 lines |

E.6 CRTC Parameters for 1600x1200**1600x1200 60Hz Non-Interlaced**

| | | | | |
|----------------------|-------------------|------------------|-----------------|-------|
| CRTC_GEN_CNTL | | 0x00 | | |
| DOT_CLOCK | | 156.00MHz | | |
| | Horizontal | | Vertical | |
| Screen Total | H_TOTAL | 0xFF | V_TOTAL | 0x4F1 |
| Screen Display | H_DISP | 0xC7 | V_DISP | 0x4AF |
| Sync Start | H_SYNC_STRT | 0xCB | V_SYNC_STRT | 0x4B9 |
| Sync Width | H_SYNC_WID | 0x34 | V_SYNC_WID | 0x28 |
| Resolution | 1600 | | 1200 | |
| Scan Frequency | 76.200KHz | | 60.00Hz | |
| Polarity | (-) | | (-) | |

CRTC Parameters for 1600x1200

| | | | | |
|-------------|----------|-----------|----------|------------|
| Sync Width | 1.026us | 20 chars | 0.105ms | 8 lines |
| Front Porch | 0.205us | 4 chars | 0.131ms | 10 lines |
| Back Porch | 1.636us | 32 chars | 0.682ms | 52 lines |
| Active Time | 10.256us | 200 chars | 15.748ms | 1200 lines |
| Blank Time | 2.872us | 56 chars | 0.866ms | 66 lines |

1600x1200 66Hz Non-Interlaced

| | | | | |
|----------------------|-------------------|------------------|-----------------|------------|
| CRTC_GEN_CNTL | | 0x00 | | |
| DOT_CLOCK | | 172.00MHz | | |
| | Horizontal | | Vertical | |
| Screen Total | H_TOTAL | 0x103 | V_TOTAL | 0x4DB |
| Screen Display | H_DISP | 0xC7 | V_DISP | 0x4AF |
| Sync Start | H_SYNC_STRT | 0xCC | V_SYNC_STRT | 0x4B2 |
| Sync Width | H_SYNC_WID | 0x31 | V_SYNC_WID | 0x23 |
| Resolution | 1600 | | 1200 | |
| Scan Frequency | 82.700KHz | | 66.00Hz | |
| Polarity | (-) | | (-) | |
| Sync Width | 0.791us | 17 chars | 0.036ms | 3 lines |
| Front Porch | 0.233us | 5 chars | 0.036ms | 3 lines |
| Back Porch | 1.767us | 38 chars | 0.567ms | 47 lines |
| Active Time | 9.302us | 200 chars | 14.512ms | 1200 lines |
| Blank Time | 2.791us | 60 chars | 0.532ms | 44 lines |

1600x1200 76Hz Non-Interlaced

| | | | | |
|----------------------|-------------------|------------------|-----------------|---------|
| CRTC_GEN_CNTL | | 0x00 | | |
| DOT_CLOCK | | 198.00MHz | | |
| | Horizontal | | Vertical | |
| Screen Total | H_TOTAL | 0x103 | V_TOTAL | 0x4E1 |
| Screen Display | H_DISP | 0xC7 | V_DISP | 0x4AF |
| Sync Start | H_SYNC_STRT | 0xCC | V_SYNC_STRT | 0x4B2 |
| Sync Width | H_SYNC_WID | 0x31 | V_SYNC_WID | 0x25 |
| Resolution | 1600 | | 1200 | |
| Scan Frequency | 95.200KHz | | 76.00Hz | |
| Polarity | (-) | | (-) | |
| Sync Width | 0.687us | 17 chars | 0.052ms | 5 lines |

| | | | | |
|-------------|---------|-----------|----------|------------|
| Front Porch | 0.202us | 5 chars | 0.032ms | 3 lines |
| Back Porch | 1.535us | 38 chars | 0.441ms | 42 lines |
| Active Time | 8.081us | 200 chars | 12.606ms | 1200 lines |
| Blank Time | 2.424us | 60 chars | 0.525ms | 50 lines |

This page intentionally left blank.

Appendix F

Parameter Table Format

F.1 Table Description

| Parameter Table - VGA Modes | |
|-----------------------------|--|
| Byte | Description |
| 0h | Number of text columns |
| 1h | Number of text rows |
| 2h | Character height (in pixels) |
| 3h | Display page length (LSB Byte) |
| 4h | Display page length (MSB Byte) |
| 5h | SEQ01 - Clocking Mode Register |
| 6h | SEQ02 - Map Mask Register |
| 7h | SEQ03 - Character Map Select Register |
| 8h | SEQ04 - Memory Mode Register |
| 9h | GENMO - Miscellaneous Output Register |
| Ah | CRT00 - Horizontal Total Register |
| Bh | CRT01 - Horizontal Display End Register |
| Ch | CRT02 - Start Horizontal Blanking Register |
| Dh | CRT03 - End Horizontal Blanking Register |
| Eh | CRT04 - Start Horizontal Retrace Register |
| Fh | CRT05 - End Horizontal Retrace Register |
| 10h | CRT06 - Vertical Total Register |
| 11h | CRT07 - Overflow Register |
| 12h | CRT08 - Preset Row Scan Register |
| 13h | CRT09- Maximum Scan Line Register |
| 14h | CRT0A- Cursor Start |
| 15h | CRT0B - Cursor End |
| 16h | CRT0C - Start Address High |
| 17h | CRT0D - Start Address Low |
| 18h | CRT0E - Cursor Location High |

| Parameter Table - VGA Modes | |
|------------------------------------|---|
| Byte | Description |
| 19h | CRT0F - Cursor Location Low |
| 1Ah | CRT10 - Start Vertical Retrace Register |
| 1Bh | CRT11 - End Vertical Retrace Register |
| 1Ch | CRT12- Vertical Display Enable End Register |
| 1Dh | CRT13 - Offset Register |
| 1Eh | CRT14 - Underline Location Register |
| 1Fh | CRT15 - Start Vertical Blanking Register |
| 20h | CRT16 - End Vertical Blanking Register |
| 21h | CRT17 - Mode Register |
| 22h | CRT18 - Line Compare Register |
| 23h | ATTR00 - Palette Register 0 |
| 24h | ATTR01 - Palette Register 1 |
| 25h | ATTR02 - Palette Register 2 |
| 26h | ATTR03 - Palette Register 3 |
| 27h | ATTR04 - Palette Register 4 |
| 28h | ATTR05 - Palette Register 5 |
| 29h | ATTR06 - Palette Register 6 |
| 2Ah | ATTR07 - Palette Register 7 |
| 2Bh | ATTR08 - Palette Register 8 |
| 2Ch | ATTR09 - Palette Register 9 |
| 2Dh | ATTR0A -Palette Register A |
| 2Eh | ATTR0B -Palette Register B |
| 2Fh | ATTR0C - Palette Register C |
| 30h | ATTR0D - Palette Register D |
| 31h | ATTR0E - Palette Register E |
| 32h | ATTR0F - Palette Register F |
| 33h | ATTR10 - Mode Control Register |
| 34h | ATTR11 - Overscan Color Register |
| 35h | ATTR12 - Color Map Enable Register |
| 36h | ATTR13 - Horizontal PEL Panning Register |
| 37h | GRA00 - Set/Reset Register |
| 38h | GRA01 - Enable Set/Reset Register |

| Parameter Table - VGA Modes | |
|------------------------------------|-----------------------------------|
| Byte | Description |
| 39h | GRA02 - Color Compare Register |
| 3Ah | GRA03 - Data Rotate Register |
| 3Bh | GRA04 - Read Map Select Register |
| 3Ch | GRA05 - Mode Register |
| 3Dh | GRA06 - Miscellaneous Register |
| 3Eh | GRA07 - Color Don't Care Register |
| 3Fh | GRA08 - Bit Mask Register |

F.2 Spare Bits in Parameter Table

The VIDEO BIOS makes use of some unused bits in the parameter table to store information on the programming of extended registers. These bits are used to define the video memory model, DAC programming information, CRTC and Pixel Clock selection.

| Parameter Table Byte 5 | |
|-------------------------------|-----------------------|
| Bit 7 | 0 = Set ATI38[7] to 0 |
| | 1 = Set ATI38[7] to 1 |
| Bit 6 | 0 = Set ATI38[6] to 0 |
| | 1 = Set ATI38[6] to 1 |

| Parameter Table Byte 7 | |
|-------------------------------|-----------------------|
| Bit 8 | 0 = Set ATI31[6] to 0 |
| | 1 = Set ATI31[6] to 1 |
| Bit 7 | 0 = Set ATI3E[1] to 0 |
| | 1 = Set ATI3E[1] to 1 |

| Parameter Table Byte 8 | |
|-------------------------------|---------------------------|
| Bit 7 | 0 = Set ATI39[1] to 1 |
| | 1 = Set ATI39[1] to 0 |
| Bit 6 | 0 = Set ATI3E[4] to 1 |
| | 1 = Set ATI3E[4] to 0 |
| Bit 5 | 0 = Set ATI38[7,6] to 0,1 |
| | 1 = Set ATI38[7,6] to 0,0 |
| Bit 4 | 0 = Set ATI30[0] to 0 |
| | 1 = Set ATI30[0] to 1 |

Appendix G

Pixel Clock Tables

G.1 ATI-18811-1 Clock Chip

| Frequency Output (MHz) | Select Bits | | | |
|------------------------|-------------|----------|----------|----------|
| | ATI3E[4] | ATI39[1] | GENMO[3] | GENMO[2] |
| 100.00 | 0 | 0 | 0 | 0 |
| 126.00 | 0 | 0 | 0 | 1 |
| 92.40 | 0 | 0 | 1 | 0 |
| 36.00 | 0 | 0 | 1 | 1 |
| 50.35 | 0 | 1 | 0 | 0 |
| 56.64 | 0 | 1 | 0 | 1 |
| External Frequency | 0 | 1 | 1 | 0 |
| 44.90 | 0 | 1 | 1 | 1 |
| 135.00 | 1 | 0 | 0 | 0 |
| 32.00 | 1 | 0 | 0 | 1 |
| 110.00 | 1 | 0 | 1 | 0 |
| 80.00 | 1 | 0 | 1 | 1 |
| 39.91 | 1 | 1 | 0 | 0 |
| 44.90 | 1 | 1 | 0 | 1 |
| 75.00 | 1 | 1 | 1 | 0 |
| 65.00 | 1 | 1 | 1 | 1 |

This page intentionally left blank.

Appendix H

Scratch Registers

H.1 Scratch Registers and Their Contents

SCRATCH_REG0

(42ECh, 41C8h or base address +80h)

| | |
|---------|---|
| bit 7 | Internal 1600 CRTc parameter will be used |
| bit 6 | 640x480 72Hz |
| bit 5 | 640x480 75Hz |
| bit 4 | 640x480 85Hz |
| bit 3 | TV out , on/off state |
| bit 1-0 | graphics controller power management states |

SCRATCH_REG0 + 1 800x600 refresh rate information

(42EDh, 41C9h or base address + 81h)

| | |
|-----------|-------------------------------|
| bit 7 | external crtc table indicator |
| bit 6 - 0 | 800x600 refresh mask |

SCRATCH_REG0 + 2 reserved(can be 1280x1024)

(42EEh, 41CAh or base address + 82h)

| | |
|-----------|------------------------|
| bit 7 | DDC2 detected state |
| bit 6 | reserved |
| bit 5 - 0 | 1280x1024 refresh mask |

SCRATCH_REG0 + 3 1024x768 refresh rate information

(42EFh, 41CBh or base address + 83h)

| | |
|-----------|-----------------------|
| bit 7 | not used |
| bit 6 - 0 | 1024x768 refresh mask |

SCRATCH_REG1 ROM location

(46ECh, 45C8h or base address + 84h)

SCRATCH_REG1 + 1

(46EDh, 45C9h or base address + 85h)

| | |
|---------|---|
| bit 7-4 | RAMDAC subtype(for GX and CX controller only) |
| bit 7-6 | not used, (?Tonly) |
| bit 5-4 | CT,feature connector information (?T only) |
| bit 3 | VBE20 used |
| bit 2 | if set, disable the programming of DAC to VGA mode when INT 10h is called, for BEDROCK only |

bit 1 reserved
bit 0 sync on green enable

SCRATCH_REG1 + 2

(46EEh, 45CAh or base address + 86h)

bit 7 - 6 CRTIC pitch size
bit 5 mux mode
bit 4 enable gamma correction or 256 color greyscale
bit 3 32bpp color orientation information
bit 2 TLC34075 output clock select or TVP3026 15/16bpp information
bit 1 32bpp color orientation information
bit 0 current gamma correction or 256 color state

SCRATCH_REG1 + 3 Programmable dotclock information

(46EFh, 45CBh or base address + 87h)

1CE/BB(This register exists with VGA enable and in GX and CX controllers only)

bit 7-6 640x480 refresh rate information
bit 5-4 monochrome mode, color information
bit 1 if set, use VGAWONDER compatible paging mechanism in packed pixel mode
bit 0 if set, disable the programming of DAC to VGA mode when INT 10h is called.

Appendix I

ROM Header

I.1 ROM Header

There is information stored in the ROM header. This information is included for completeness but not intended for application program development.

| Byte Offset | Content |
|-------------|---|
| -1,-2 | size of the structure in number of byte |
| 0 | =0, type definition |
| 1 | extended function code, 0a0h,0a1h...etc. |
| 2 | BIOS internal revision, major |
| 3 | BIOS internal revision, minor |
| 4-5 | io address, for sparse only |
| 6-7 | reserved |
| 8-9 | reserved |
| 10-11 | reserved |
| 12-13 | DRAM memory cycle in extended and VGA |
| 14-15 | VRAM memory cycle in extended and VGA |
| 16-17 | pointer to frequency table |
| 18-19 | pointer to logon message |
| 20-21 | pointer to misc. information |
| 22-23 | pci, bus, dev, init code |
| 24-25 | reserved |
| 26-27 | io base address if non-zero, block i/o enable |
| 28-29 | reserved(used) |
| 30-31 | reserved(used) |
| 32-33 | reserved(used) |
| 34-35 | int 10h offset, Coprocessor Only BIOS |
| 36-37 | int 10h segment, Coprocessor Only BIOS |
| 38-39 | monitor information, OEM specific |
| 40-43 | 4K memory mapped location |
| 44-47 | reserved(used) |

| Byte Offset | Content |
|-------------|----------------------|
| 48-49 | Tractor Beam |
| 50-55 | 0ffffh,0,0ffffh |
| 56-57 | bios runtime address |
| 58-59 | reserved(used) |
| 60-61 | feature id |
| 62-63 | subsystem vendor id |
| 64-65 | subsystem id |
| 66-67 | device id |
| 68-89 | \$ |

The following code will locate the ROM header and extract the PCI bus device information from the ROM header.

```

unsigned far *ip;
char far *cp;

FP_SEG( ip) = RomLocation(); /* assume RomLocation() will return the rom
                             segment address */
FP_OFF( ip) = 0x48; /* pointer to the ROM header */
FP_OFF( ip) = ip[ 0]; /* update array pointer to point to the ROM
                       header */
FP_SEG( cp) = FP_SEG( ip); /* update byte pointer to point to the ROM
                             header as well */
FP_OFF( cp) = FP_OFF( cp);

PciBusDev = ip[ 11]; /* get the pci bus dev word */

```

Appendix J

Programming PLL Registers in mach64 CT Family

J.1 Introduction

| CLOCK_CNTL [R/W] (MM:24, I/O:12, 49C8, 49CC, 4AEC) | | |
|--|--------|--|
| Field Name | Bit(s) | Description |
| CLOCK_SEL | 3:0 | Non-VGA mode video clock frequency select. Internal clock synthesizer (PLL) uses only bits 1 and 0. External clock chip uses all four bits. In VGA mode, clock select is determined by GENMO(3:2). |
| (Reserved) | 5:4 | |
| CLOCK_STROBE | 6 | Controls STROBE signal to external clock synthesizer. |
| (Reserved) | 7:8 | |
| PLL_WR_EN | 9 | Internal clock synthesizer (PLL) register write enable. 0 = PLL_DATA is read-only 1 = PLL_DATA is read/write |
| PLL_ADDR | 13:10 | Selects register in internal clock synthesizer (PLL) to read or write. |
| (Reserved) | 15:14 | |
| PLL_DATA | 23:16 | Internal clock synthesizer (PLL) read/write data. (see PLL_WR_EN) |
| (Reserved) | 31:24 | |

J.2 PLL Registers

The PLL registers on the next page are accessed indirectly through the CLOCK_CNTL register above. Example reads and writes of the PLL registers are given below. The address CLOCK_CNTL0 represents bits 7:0, CLOCK_CNTL1 bits 15:8, and CLOCK_CNTL2 bits 23:16.

PLL Register Read

iow8 CLOCK_CNTL1 PLL_ADDR; PLL address to read (PLL_WR_EN = 0)
ior8 CLOCK_CNTL2 PLL_DATA; data is put into variable PLL_DATA

PLL Register Write

io8 CLOCK_CNTL1 PLL_ADDR | PLL_WR_EN; PLL address to write and
PLL_WR_EN = 1

io8 CLOCK_CNTL2 PLL_DATA; PLL data to write

Note that only 8-bit I/O or memory read and write operations are recommended for PLL register reads and writes.

| PLL Registers | | | | |
|---------------|----------------|--|------------------------------|---|
| Addr | Register Name | Field | Bits | Function |
| 0 | Reserved | | | |
| 1 | PLL_MACRO_CNTL | PLL_PC_GAIN PLL_VC_GAIN PLL_DUTY_CYC | 2:0 4:3 7:5 | Controls to analog PLL macro (default = D4h) Charge-pump gain setting VCGEN gain setting Duty cycle control for pixel clock PLL |
| 2 | PLL_REF_DIV | | 7:0 | Reference divider setting (default = 36h) Note: There are only 6 bits in SGS CT-C2. |
| 3 | PLL_GEN_CNTL | PLL_OVERRIDE PLL_MCLK_RST OSC_EN EXT_CLK_EN MCLK_SRC_SEL EXT_CLK_CNTL | 0 1 2 3 6:4 7 | MCLK and general control (default = 4Fh) Power-down PLL or ext. bias PLL Reset MCLK PLL Oscillator enable Force EXTFREQ0 to input Enable CLKSEL and CLKSTRb outputs for external clock chip. Note: EXT_CLK_CNTL not in SGS CT-C2. EXT_CLK_EN does both functions. |
| 4 | MCLK_FB_DIV | | 7:0 | MCLK feedback divider (default = 97h, 40MHz) |
| 5 | PLL_VCLK_CNTL | VCLK_SRC_SEL PLL_VCLK_RST VCLK_INVERT | 1:0 2 3 | Pixel clock control (default = 04h) 00 : VCLK = CPUCLK 01 : VCLK = EXTFREQ0 10 : VCLK = XTALIN 11 : VCLK = PLLVCLK Reset VCLK PLL Invert VCLK to get opposite duty cycle |

| PLL Registers (Continued) | | | | |
|---------------------------|----------------|--|--------------------------|--|
| Addr | Register Name | Field | Bits | Function |
| 5 | PLL_VCLK_CNTL | Reserved | 7:4 | |
| 6 | VCLK_POST_DIV | VCLK0_POST VCLK1_POST VCLK2_POST VCLK3_POST | 1:0 3:2 5:4 7:6 | Post dividers for VCLK 0-3 (default = 6Ah) Post divider for VCLK setting 0 Post divider for VCLK setting 1 Post divider for VCLK setting 2 Post divider for VCLK setting 3 |
| 7 | VCLK0_FB_DIV | | 7:0 | Feedback divider for VCLK 0 (default = BEh) |
| 8 | VCLK1_FB_DIV | | 7:0 | Feedback divider for VCLK 1 (default = D6h) |
| 9 | VCLK2_FB_DIV | | 7:0 | Feedback divider for VCLK 2 (default = EEh) |
| 10 | VCLK3_FB_DIV | | 7:0 | Feedback divider for VCLK 3 (default = 88h) |
| 11:13 | Reserved | | | |
| 14 | PLL_TEST_CTRL | | 7:0 | PLL test mode control (forced to 00h when not in PLL test mode from GEN_TEST_CTRL register). |
| 15 | PLL_TEST_COUNT | | 7:0 | PLL test mode counter (read only, no default) |

Notes:

1. PLL_MACRO_CNTL settings control gain and duty cycle of analog PLL's. Gain bits affect lock and jitter of PLL's. This register should only be adjusted by the BIOS.
2. The reference divider setting must be in the range of 2h to FFh.
3. Oscillator enable is only supported in NEC foundry due to limitations in oscillator macro cells. Oscillator will always run in other foundries, no matter how this bit is set.
4. Suggested range for feedback dividers is 80h to FFh. Lower settings result in coarser control of output frequency and possibility of clock jitter. Feedback dividers below 02h will not function.
5. Pixel clock (VCLK) post-divider values are: 00=divide-by-1; 01=divide-by-2; 10=divide-by-4; 11=divide-by-8.
6. All clock sources can be programmed to exceed the frequency limitations of the hardware. Do not attempt to program the PLL registers without a good understanding of the frequency limitations of all clock nets.
7. PLL_TEST_CTRL and PLL_TEST_COUNT are used only during manufacturing tests of analog PLL's.

J.3 Clock Sources

All clock signals in *mach64CT* are derived from three master clocks — Bus Clock (CPUCLK), MCLK and VCLK. MCLK and VCLK each has four different source choices. These include internal PLLs (PLLMCLK and PLLVCLK), external clock pins (CPUCLK and EXTFREQ0 or EXTFREQ1), XTALIN pin and the PLL reference (PLLREFCLK) which XTALIN/reference divider setting. When RESETb goes active, all clocks will switch to using CPUCLK as their source. After reset, either the test vectors will select external sources or the BIOS will select internal sources.

J.4 External Clock Support

The external clock sources are supported by *mach64CT*, primarily for testing but also on a board if required. The control signals for the external clock chip are multiplexed on the feature connector pins. The feature connector may not be used when the external clock sources are active.

Switching to external clocks is done as follows:

1. Disable the feature connector (DAC_FEA_CON_EN@DAC_CNTL, defaults to disabled).
2. Set EXT_CLK_EN@PLL_GEN_CNTL = 1 to enable external clock support pins (defaults to high).
3. Make sure the external clock signals are being driven into the chip.
4. Set MCLK_SRC_SEL@PLL_GEN_CNTL = 101 for EXTFREQ1 as MCLK. Also set VCLK_SRC_SEL@PLL_VCLK_CNTL = 01 for EXTFREQ0 as VCLK.

Switching to internal clocks at boot time is done as follows:

1. Program reference, feedback and VCLK post dividers to the desired settings.
2. Write to PLL_GEN_CNTL, setting PLL_OVERRIDE = 0, PLL_MCLK_RST = 0 and OSC_EN = 1.
3. Write to PLL_VCLK_CNTL, setting PLL_VCLK_RST = 0.
4. Allow 5ms for internal PLL to lock frequencies.
5. Set MCLK_SRC_SEL@PLL_GEN_CNTL = 001.

-
6. Set `VCLK_SRC_SEL@PLL_VCLK_CNTL = 11`.
 7. Wait a few cycles (1 microsecond).
 8. Set `EXT_CLK_EN@PLL_GEN_CNTL = 0` to disable external clock support pins.
 9. Enable the feature connector (`DAC_FEA_CON_EN@DAC_CNTL = 1`).

J.5 Frequency Limits

The design of *mach64CT* imposes the following limits on the clock source frequencies:

- MCLK may not exceed 68MHz or the limit imposed by memory type.
- VCLK is limited by the current display mode:
 - In VGA, it may not exceed 80MHz.
 - In 4bpp & 8bpp, it may be up to 135MHz.
 - In 15 to 32bpp, it may not exceed 80MHz.
- CPUCLK may not exceed 33MHz.

The clock going out the feature connector (DCLK) may not exceed 40MHz according to the VESA specification. In practice, a higher limit (possibly 80MHz) will be attempted. When VCLK is set to exceed the limit, then `DAC_FEA_CON_EN@DAC_CNTL` must be set low to turn off the feature connector.

J.6 Frequency Synthesis Description

To generate a specific output frequency, the reference (M), feedback (N), and post dividers (P) must be loaded with the appropriate divide-down ratios. The internal PLLs for CT and ET are optimized to lock to output frequencies in the range from 135 MHz to 68 MHz. The PLLs for other members of the *mach64CT* family are optimized to lock with output frequencies from 100 MHz to 200 MHz. Setting the PLLs to lock outside these ranges can result in increased jitter or total mis-function (no lock).

The PLLREFCLK lower limit is found based on the upper limit of the PLL lock range (e.g. 135 MHz) and the maximum feedback divider (255) as follows:

$$\text{Minimum PLLREFCLK} = 135 \text{ MHz} / (2 * 255) = 265 \text{ kHz}$$

This is then used to find the reference divider based on the XTALIN frequency.

XTALIN is normally 14.318 MHz and the maximum reference divider M is found by:

$$M = \text{Floor}[14.318 \text{ MHz} / 265 \text{ kHz}] = 54$$

(the Floor function means round down)

Using the maximum reference divider allowed (in this case is 54) ensures the best clock step resolution. However, lower reference dividers might be used to improve clock jitter.

Feedback dividers (N) should be kept in the range 80h to FFh. The effective feedback divider is twice the register setting due to the structure of the internal PLL. The post divider (P) may be either 1, 2, 4, or 8.

To determine the N and P values to program for a target frequency, follow the procedure below (where R is the frequency of XTALIN and T is the target frequency):

1. Calculate the value of P. Find the value of Q from the equation below and use it to find P in the following table:

$$Q = (T * M) / (2 * R)$$

| Q Range | Result |
|---------------|-------------|
| more than 255 | M too big |
| 127.5 to 255 | P = 1 |
| 63.5 to 127.5 | P = 2 |
| 31.5 to 63.5 | P = 4 |
| 16 to 31.5 | P = 8 |
| less than 16 | M too small |

2. Calculate the value of N by using the value of P obtained in step 1. N is given by:

$$N = Q * P$$

The result N is rounded to the nearest whole number.

3. Determine the actual frequency. Given P and the rounded-off N, the actual output frequency is found by:

$$\text{Output_Frequency} = (2 * R * N) / (M * P)$$

For example:

If R = 14.318 MHz and M = 54, then Q = 75.43 (if the desired frequency is 40MHz). The table indicates P = 2 for this Q value. The calculation of N = Q*P gives 150.85 and rounding up gives N = 151. The final output frequency is therefore 40.04MHz.

The maximum frequency that can be synthesized is the upper limit of PLL lock range for the specific version of *mach64CT*. It may be 135, 160, 200, or 240 MHz. The minimum

frequency that can be synthesized depends on the largest post divider available. For VCLK, P = 8 is always available and minimum VCLK = $(2 * R * 128) / (M * 8)$. For MCLK, post divider settings of 4 and 8 are not available on some versions of the controller. The minimum frequency setting for MCLK is limited to the correspondingly higher values for these controllers.

Sample divider settings for typical Pixel and Memory clock frequencies when R = 14.318 MHz and M = 54:

| Target Freq. (MHz) | Post Divider P | Feedback Register N | Feedback Register N | Actual Freq. (MHz) | Percent Error (%) |
|--------------------|----------------|---------------------|---------------------|--------------------|-------------------|
| 135 | 1 | 255 | FFh | 135.23 | 0.17 |
| 126 | 1 | 238 | EEh | 126.21 | 0.17 |
| 110 | 1 | 207 | CFh | 109.77 | 0.21 |
| 100 | 1 | 189 | BDh | 100.23 | 0.23 |
| 92.4 | 1 | 174 | A Eh | 92.27 | 0.14 |
| 80 | 1 | 151 | 97h | 80.08 | 0.1 |
| 75 | 1 | 141 | 8Dh | 74.77 | 0.31 |
| 65 | 2 | 245 | F5h | 64.96 | 0.06 |
| 56.6 | 2 | 213 | D5h | 56.48 | 0.21 |
| 50.2 | 2 | 189 | BDh | 50.11 | 0.19 |
| 49.95 | 2 | 188 | BCh | 49.85 | 0.2 |
| 45 | 2 | 170 | AAh | 45.08 | 0.18 |
| 44.95 | 2 | 170 | AAh | 45.08 | 0.29 |
| 40 | 2 | 151 | 97h | 40.04 | 0.1 |
| 36 | 2 | 136 | 88h | 36.06 | 0.17 |
| 32.97 | 4 | 249 | F9h | 33.01 | 0.12 |
| 32 | 4 | 241 | F1h | 31.95 | 0.16 |
| 31.5 | 4 | 238 | EEh | 31.55 | 0.16 |
| 28.322 | 4 | 214 | D6h | 28.37 | 0.17 |
| 25.175 | 4 | 190 | BEh | 25.19 | 0.06 |

J.7 Duty Cycle Control

The DAC clock (VCLK) is the fastest clock on a *mach64CT* chip. When displayed in 1280x1024 or higher resolutions, VCLK will exceed 100 MHz. The DAC circuitry is sensitive to the duty cycle of VCLK in this range. Duty cycle adjustment for VCLK is available through PLL_DUTY_CYC@PLL_MACRO_CNTL and VCLK_INVERT@PLL_VCLK_CNTL. The CT also has VCLK_D_CYC@PLL_VCLK_CNTL, but these bits should not be used (leave at 00).

The optimal settings for the duty cycle control bits have been determined by ATI during testing under extreme conditions of temperature and voltage. The BIOS sets the proper values for each version of *mach64CT*. There should be no need to change these settings.

J.8 PLL Gain Settings

The internal PLLs have two settings that affect their gain characteristics. These are set by PLL_PC_GAIN and PLL_VC_GAIN in the PLL_MACRO_CNTL register. They will affect optimal lock ranges and jitter characteristics. ATI has determined the optimal settings for these bits under extreme operating conditions. The BIOS sets these bits to optimal values for each version of *mach64CT*. There should not be any need to modify these values.

Appendix K

Display Register Setting Calculations

K.1 Display Register Setting Calculations

Please follow the temporary variables down to the end of the document, where they are used to produce actual register settings.

Width of display fifo entry:

| | | |
|-------|------|--|
| $w =$ | 32 | for vga |
| | 64 | for extended (using internal DAC) |
| | 1024 | when using 64 bit external DAC and WRAM |
| | 2048 | when using 128 bit external DAC and WRAM |

Depth of display fifo entry:

| | | |
|-------|----|----------------------------------|
| $d =$ | 32 | when using internal DAC |
| | 8 | when using external DAC and WRAM |

Expansion ratio: This ratio is only used during expansion mode, otherwise it is 1.

$$ex_{ratio} = \frac{destinationlinewidth}{sourcelinewidth}$$

Number of XCLKS in a qword:

$$x = \frac{XCLK(MHz)}{VCLK(MHz)} \times \frac{w}{bpp} \times ex_{ratio}$$

Minimum number of bits needed to hold the integer portion of x:

$$b_x = CEIL\left[\frac{\ln(INT(x))}{\ln 2}\right]$$

Maximum fifo size XCLK count representation:

$$t = x \times d$$

Minimum number of bits needed to hold the integer portion of t:

$$b_1 = CEIL\left[\frac{\ln(INT(t))}{\ln 2}\right]$$

Useable precision is the largest of the following two values:

$$p = MAX(b_1 - 5, b_x - 3)$$

Actual fifo size used is:

$$f = MIN\left(INT\left(\frac{2^{5+p}}{x}\right), d\right)$$

Display fifo off point is:

$$r_{off} = CEIL[x \times (f - 1)]$$

Fixed latency values, pick number depending upon the configuration:

| | 32 bit | 64 bit | |
|-------|--------|--------|---------------|
| $l =$ | 8 | 6 | for dram |
| | 7 | 6 | for hyperpage |
| | 9 | 8 | for sdram |
| | N/A | 6 | for wram |

Display loop latency (two added for DISP_ACTIVE resynchronization):

$$r_{loop} = l + 2$$

Page fault clocks:

$$pfc = t_{RP} + t_{RCD} + t_{CRD}$$

Number of cycles/qw:

| | | |
|-------|---|---------------------------------|
| $n =$ | 1 | for 64 bit dram/sdram/hyperpage |
| | 2 | for 32 bit sdram/hyperpage |
| | 3 | for 32 bit dram |
| | 4 | for wram |

Maximum random access cycle blocks:

$$rcc = MAX(t_{RP} + t_{RAS, pfc} + n)$$

Display fifo on point: (FLOOR[X] was removed to give room for error)

$$r_{on} = (r_{cc} - 1) + (r_{cc} - FLOOR[x]) + (pfc + n)$$

$$r_{on} = 2 \times rcc + pfc + n$$

The mode is not guaranteed to work due to latency unless the following is met:

$$r_{on} + r_{loop} < r_{off}$$

Actual Register Settings:

| | |
|------------------------|---------------------|
| DSP_ON(10:0) | $r_{on} * 2^{6-p}$ |
| DSP_OFF(10:0) | $r_{off} * 2^{6-p}$ |
| DSP_PRECISION(2:0) | p |
| DSP_XCLKS_PER_QW(13:0) | $x * 2^{11-p}$ |
| DSP_LOOP_LATENCY | r_{loop} |

***Note: All values rounded down.

Meaning of the precision register

The display fifo is represented using a 16 bit register, with a variable decimal point to give a representation of integer + fraction = 16 bits. The precision sets the decimal point of the internal representation, of the DSP_ON register, the DSP_OFF register, and the DSP_XCLKS_PER_QW. Thus, these registers need to be adjusted depending upon the precision chosen. The following table illustrates the relationship to the value set in the precision register to the accuracy of the internal representation, the meaning of DSP_ON, DSP_OFF, and DSP_XCLKS_PER_QW.

Table K-1

| p | Internal Representation with Implied Decimal Point | | | | | | | | | | | | | | | | f | x | off | on* |
|--------------|--|----|----|----|----|----|---|---|---|---|---|---|---|---|---|---|--------------------------|------|------|------|
| | 15 | 14 | 13 | 12 | 11 | 10 | 9 | 8 | 7 | 6 | 5 | 4 | 3 | 2 | 1 | 0 | | | | |
| 0 | 4 | 3 | 2 | 1 | 0 | 10 | 9 | 8 | 7 | 6 | 5 | 4 | 3 | 2 | 1 | 0 | 5.11 | 3.11 | 5.6 | 5.6 |
| 1 | 5 | 4 | 3 | 2 | 1 | 0 | 9 | 8 | 7 | 6 | 5 | 4 | 3 | 2 | 1 | 0 | 6.10 | 4.10 | 6.5 | 6.5 |
| 2 | 6 | 5 | 4 | 3 | 2 | 1 | 0 | 8 | 7 | 6 | 5 | 4 | 3 | 2 | 1 | 0 | 7.9 | 5.9 | 7.4 | 7.4 |
| 3 | 7 | 6 | 5 | 4 | 3 | 2 | 1 | 0 | 7 | 6 | 5 | 4 | 3 | 2 | 1 | 0 | 8.8 | 6.8 | 8.3 | 8.3 |
| 4 | 8 | 7 | 6 | 5 | 4 | 3 | 2 | 1 | 0 | 6 | 5 | 4 | 3 | 2 | 1 | 0 | 9.7 | 7.7 | 9.2 | 9.2 |
| 5 | 9 | 8 | 7 | 6 | 5 | 4 | 3 | 2 | 1 | 0 | 5 | 4 | 3 | 2 | 1 | 0 | 10.6 | 8.6 | 10.1 | 10.1 |
| 6 | 10 | 9 | 8 | 7 | 6 | 5 | 4 | 3 | 2 | 1 | 0 | 4 | 3 | 2 | 1 | 0 | 11.5 | 9.5 | 11.0 | 11.0 |
| 7 | 11 | 10 | 9 | 8 | 7 | 6 | 5 | 4 | 3 | 2 | 1 | 0 | 3 | 2 | 1 | 0 | 12.4 | 10.4 | 12.0 | 12.0 |
| DSP_OFF | 10 | 9 | 8 | 7 | 6 | 5 | 4 | 3 | 2 | 1 | 0 | | | | | | >function | | | |
| DSP_ON | 10 | 9 | 8 | 7 | 6 | 5 | 4 | 3 | 2 | 1 | 0 | | | | | | =function, *integer only | | | |
| XCLKS/ QW | | | 13 | 12 | 11 | 10 | 9 | 8 | 7 | 6 | 5 | 4 | 3 | 2 | 1 | 0 | | | | |

The behaviour of the display fifo counter is as follows:

- 1 When DISP_ACTIVE transitions from high to low, or EOF (end of frame) signal is asserted, the counter is reset and the state machine starts on a new line.
- 2 An anchor address is asked for from the display engine for the next line. In the case of VGA, the address of every QWORD is asked for from the display engine. As well, the number of QWORDS for this display line are obtained.
- 3 A fifo “prefill” is performed. For every qword fetched from memory and placed into the display fifo, the counter is incremented by the value in DSP_XCLKS_PER_QW. This process continues until the counter is at a value greater than that value contained in the DSP_OFF register.
- 4 When DISP_ACTIVE goes high (the display is actively draining from its fifo), a one time subtraction of DSP_LOOP_LATENCY is made from the counter. Note that this register does not need to be shifted by the precision, as this shifting is accomplished in hardware. This subtraction is done to mask the control point of the display fifo from the result point in such a way that we don’t need to have special “overflow” amounts added to fill the display.
- 5 From that point on, each and every clock that DISP_ACTIVE is high, one integer value is subtracted from the counter. Note that the precision register is taken into account in hardware, so the correct decimal place is observed in this subtraction.

- 6** When the counter reaches the DSP_ON point (note that this is only an integer compare, the fractional bits are masked), the display controller starts asking for qwords from the memory.
- 7** For every qword that will be placed into the display fifo (after a loop latency time which we subtracted out earlier), the counter is incremented by DSP_XCLKS_PER_QW at the same time it is decremented by one.
- 8** This process continues until the counter is at a value greater than that stored in the DSP_OFF register. Note that the fractional bits of DSP_OFF are used in this comparison.
- 9** Steps 6 to 8 are repeated until there are no more QWORDS to be fetched, DISP_ACTIVE goes low, or EOF goes high.

Appendix L

Bibliography

Books

Foley, James D., van Dam, Andries, Feiner, Steven K. and Hughes, John F., *Computer Graphics: Principles and Practice* (2nd ed.), Reading, Massachusetts: Addison-Wesley, 1990, ISBN 0-201-12110-7

While not directly related to PC graphics programming, Foley/van Dam provide a good overview into the fundamentals of Computer Graphics as a general subject. The text is mostly theoretical with some pseudocode but no working code examples. There is, however, a fairly good derivation of Bresenham's Line drawing algorithm which is used by most hardware graphics accelerators.

Ferraro, Richard F., *Programmer's Guide to the EGA, VGA, and Super VGA Cards* (3rd ed.), Reading, Massachusetts: Addison-Wesley, 1994, ISBN 0-201-62490-7

A very handy book in understanding the details of programming for VGA and SVGA cards. The third edition also covers programming for some Graphics Accelerator boards including the IBM 8514/A and ATI's own *mach32* series. This book provides very good descriptions of all of the VGA's registers and contains numerous small code examples in both C and 80x86 Assembly language. Highly recommended.

Abrash, Michael, *Zen of Graphics Programming*, Scottsdale, Arizona: Coriolis Group Books, 1995, ISBN 1-883577-08-X

Abrash, who is known for his earlier book *The Zen of Code Optimization* as well as for his column in *Dr. Dobbs' Journal*, discusses optimized programming techniques for VGA cards. The book comes with a diskette full of examples. Although he specifically avoids SVGA and accelerators his coverage of the plain VGA's full capabilities is thorough. This book also contains a section on Mode X programming.

Wilton, Richard, *Programmer's Guide to PC Video Systems* (2nd ed.), Redmond, Washington: Microsoft Press, 1994, ISBN 1-55615-641-3

One of the classic references on PC Graphics Adapters at the hardware level. The second addition also contains topics covering VGA 256-color graphics programming, animation, 32-bit graphics programming, and the VESA BIOS Extension (VBE) for SVGA graphics programming. The book also comes with a companion diskette with

source code examples.

A

- Accelerator CRTC and DAC registers, [2-3](#),
[6-1](#)
- Accelerator mode, [3-1](#)
 - Draw engine, [3-1](#)
 - Memory aperture, [3-1](#)
- Advanced topics, [7-1](#)
- Aperture, linear
 - Base address, [4-1](#)
 - Organization, [2-1](#)

B

- Big aperture, [3-3](#)
- BIOS interface, [3-9](#)
- BIOS services
 - Non-Intel platforms, [2-7](#)
- Bitblt, [6-31](#)
 - Transparent, [6-37](#)
 - Sample code, [6-37](#)
- Block write, [7-22](#)
- Boot-time initialization, [7-19](#)
- Bresenham's algorithm, [6-13](#)
- Bus Master Operation, [8-15](#)
- Bus Master Programming, [8-15](#)

C

- CALL ROM_ADDR
 - 64h, [A-1](#), [C-1](#)
- Clock Chip, [G-1](#)
- Colour compare circuit, [6-6](#)
 - Block diagram, [6-4](#)
- Colour Interpolator/ Alpha Blender, [8-6](#)
- Colour Keyer, [8-6](#)
- Colour source, [6-24](#)
- Colour Space Converter, [8-7](#)
- Command FIFO
 - Resetting the FIFO
 - Sample code, [5-2](#)
 - Waiting for draw engine idle, [5-2](#)

- Sample code, [5-2](#)
 - Waiting for sufficient FIFO entries, [5-1](#)
 - Sample code, [5-1](#)
- Command FIFO Queue, [5-1](#)
- Compatibility, [A-1](#)
- Concurrency, [7-21](#)
- Creating a Descriptor Table, [8-15](#)
- CRT mode
 - Designing a custom CRT mode, [7-9](#)
- CRT Parameter, [A-37](#)
- CRT Parameters
 - Spare Bits, [F-3](#)
 - Table Format, [F-1](#)
- CRT synchronization, [7-5](#)
 - Double buffering (memory), [7-5](#)
 - Double buffering (palette), [7-6](#)
 - Single buffering (delta framing), [7-7](#)
 - Single buffering (synchronized), [7-6](#)
- CRTC compatibility, [3-7](#)
- CRTC parameters, [E-1](#)
 - 1024x768 100Hz non-interlaced, [E-11](#)
 - 1024x768 43Hz interlaced, [E-8](#)
 - 1024x768 60Hz non-interlaced, [E-8](#)
 - 1024x768 70Hz non-interlaced, [E-9](#)
 - 1024x768 72Hz non-interlaced, [E-9](#)
 - 1024x768 75Hz non-interlaced, [E-10](#)
 - 1152x864 43Hz interlaced, [E-11](#)
 - 1152x864 47Hz interlaced, [E-12](#)
 - 1152x864 60Hz non-interlaced, [E-12](#)
 - 1152x864 70Hz non-interlaced, [E-13](#)
 - 1152x864 75Hz non-interlaced, [E-13](#)
 - 1152x864 80Hz non-interlaced, [E-14](#)
 - 1280x1024 43Hz interlaced, [E-14](#)
 - 1280x1024 47Hz interlaced, [E-15](#)
 - 1280x1024 60Hz non-interlaced, [E-15](#)
 - 1280x1024 70Hz non-interlaced, [E-16](#)
 - 1280x1024 74Hz non-interlaced, [E-16](#)
 - 1280x1024 75Hz non-interlaced, [E-17](#)
 - 1600x1200 60Hz non-interlaced, [E-17](#)
 - 1600x1200 66Hz non-interlaced, [E-18](#)
 - 1600x1200 76Hz non-interlaced, [E-18](#)

- 640x480 100Hz non-interlaced, [E-3](#)
 - 640x480 60Hz non-interlaced, [E-1](#)
 - 640x480 72Hz non-interlaced, [E-2](#)
 - 640x480 75Hz non-interlaced, [E-2](#)
 - 640x480 90Hz non-interlaced, [E-3](#)
 - 800x600 100Hz non-interlaced, [E-7](#)
 - 800x600 48Hz interlaced, [E-4](#)
 - 800x600 56Hz non-interlaced, [E-4](#)
 - 800x600 60Hz non-interlaced, [E-5](#)
 - 800x600 70Hz non-interlaced, [E-5](#)
 - 800x600 72Hz non-interlaced, [E-6](#)
 - 800x600 75Hz non-interlaced, [E-6](#)
 - 800x600 90Hz non-interlaced, [E-7](#)
- D**
- Delta framing, [7-7](#)
 - Designing a custom CRT mode, [7-9](#)
 - Example CRTC calculations, [7-11](#)
 - Destination trajectory 1, rectangular, [6-12](#)
 - Destination trajectory 2, line, [6-13](#)
 - Detecting the presence of a *mach64*, [3-5](#)
 - Display Data Channel Support (DDC), [A-11](#)
 - Double buffering (memory), [7-5](#)
 - In the interrupt service routine, [7-5](#)
 - In the mainline application, [7-6](#)
 - Double buffering (palette), [7-6](#)
 - DPMS Service, Set DPMS Mode, [A-9](#)
 - Draw engine, [3-1](#)
 - Context control registers, [2-3, 6-2](#)
 - Initialization, [5-7](#)
 - Sample code, [5-9](#)
 - Trajectory control registers, [2-3, 6-2](#)
 - Draw operations, [6-24](#)
 - Colour source, [6-24](#)
 - Lines, [6-25](#)
 - Sample code, [6-25](#)
 - Packed 24 bpp mode, [6-40](#)
 - Sample code, [6-41](#)
 - Pattern source, [6-38](#)
 - Polygons, [7-1](#)
 - Sample code, [7-2](#)
 - Rectangles, [6-27](#)
 - Sample code, [6-27](#)
 - Specialized bitblt source, [6-35](#)
 - Transparent bitblts, [6-37](#)
 - Standard bitblt source, [6-31](#)
 - General pattern, [6-32](#)
 - General pattern with rotation, [6-33](#)
 - Simple one-to-one, [6-31](#)
 - Strictly linear, [6-34](#)
 - Draw speed, [7-20](#)
- E**
- EEPROM
 - Data, [H-1, I-1](#)
 - EEPROM Data Structure, [A-34](#)
 - Efficiency, [7-21](#)
 - Enable / Disable Video Input Capture Mode and Return Video Capture Capability, [A-21](#)
 - Expansion buses, [7-21](#)
 - EISA, [7-21](#)
 - ISA, [7-21](#)
 - PCI, [7-21](#)
 - VLB, [7-21](#)
- F**
- Features, [17](#)
 - Fixed patterns, [6-38](#)
 - Sample code, [6-38](#)
 - Format Type 0, [A-22](#)
 - Format Type 1, [A-23](#)
 - Format Type 2, [A-25](#)
 - Front End Scaler Operation, [8-13](#)
 - Front End Scaler Programming, [8-13](#)
 - Function 00h, [A-2](#)
 - Function 01h, [A-3](#)
 - Function 02h, [A-3](#)
 - Function 03h, [A-3](#)
 - Function 04Exxh, [B-35, C-13](#)
 - Function 04h, [A-4](#)
 - Function 05h, [A-4](#)
 - Function 06h, [A-4](#)
 - Function 07h, [A-5](#)
 - Function 08h, [A-7](#)
 - Function 09h, [A-7](#)
 - Function 0Ah, [A-8](#)

Function 0Bh, [A-8](#)
 Function 0Ch, [A-9](#)
 Function 0Dh, [A-9](#)
 Function 0Eh, [A-9](#)
 Function 0Fh, [A-9](#)
 Function 10h, [A-10](#)
 Function 11h, [A-10](#)
 Function 12h, [A-11](#)
 Function 13h, [A-11](#)
 Function 14h, [A-14](#)
 Function 15h, [A-15](#)
 Function 16h, [A-17](#)
 Function 18h, [A-27](#)
 Function 19h, [A-27](#)
 Function 70h, [D-1](#)
 Function 71h, [D-3](#)
 Function 72h, [D-4](#)
 Function 73h, [D-4](#)
 Function 74h, [D-4](#)
 Function 75h, [D-5](#)
 Function 76h, [D-6](#)
 Function 81h, [B-12](#)
 Function 82h, [B-12](#)
 Function 83h, [B-20, C-4](#)
 Function 84h, [B-21, C-5](#)
 Function 85h, [B-22, C-6](#)
 Function 86h, [B-23](#)
 Function 87h, [B-23, C-8](#)
 Function 88h, [B-25, C-9](#)
 Function 89h, [B-26, C-10](#)
 Function 8Ah, [B-26, C-11](#)
 Function 8Bh, [B-30](#)
 Function 8Ch, [B-31](#)
 Function 8Dh, [B-32, C-11](#)
 Function Calls, [A-1, C-1](#)

G

General pattern, [6-32](#)
 Sample code, [6-32](#)
 General pattern with rotation, [6-33](#)
 Sample code, [6-33](#)

H

Hardware cursor, [6-43](#)
 Sample code, [6-44](#)
 Hardware ICON Support, [B-26, C-11](#)
 Hardware Information, [A-42](#)
 Hardware Overlay/Scaler, [8-4](#)
 Host data consumption, [6-7](#)
 Host rectangle fill
 Sample code, [6-28](#)

I

I/O mapping
 Accessing I/O mapped registers, [2-5](#)
 ImpacTV Hooks, [A-27](#)
 ImpacTV Mode Table Structure, [B-11](#)
 In and Out Of Suspend State, [B-23](#)
 Initialization
 Boot-time, [7-19](#)
 BUS_CNTL, [7-19](#)
 CONFIG_CHIP_ID,
 CONFIG_STAT0,
 CONFIG_STAT1, [7-20](#)
 CONFIG_CNTL, [7-20](#)
 GEN_TEST_CNTL, [7-19](#)
 MEM_CNTL, [7-19](#)
 SCRATCH_REG0,
 SCRATCH_REG1, [7-19](#)
 Interrupts, [7-13](#)

L

LCD / Monitor / TV Detection, [B-20, C-4](#)
 Line patterns, [6-36](#)
 Sample code, [6-36](#)
 Linear and paged memory apertures
 Linear aperture
 Base address, [4-1](#)
 Sample code, [4-2](#)
 Enabling, [4-3](#)
 Sample code, [4-3](#)
 Physical address conversion, [4-2](#)
 Using, [4-3](#)
 Sample code, [4-5](#)

- Linear vs. VGA aperture, 3-2
 - Big aperture, 3-3
 - Small apertures, 3-3
 - Standard 64KB VGA aperture, 3-2
- Linear source, 6-34
 - Sample code, 6-34
- Lines
 - Drawing, 6-25
 - Sample code, 6-25
- Load Coprocessor CRTC Parameters, A-2
- Load Coprocessor CRTC Parameters and Set Display Mode, A-3
- Load Coprocessor CRTC Parameters and Set Display Mode, A-3
- Logical pixel data path, 6-2
 - Block diagram, 6-4
- M**
 - mach64* accelerator
 - Detection
 - Determining the I/O base address, 3-6
 - mach64* accelerator
 - Deletions relative to *mach32*, 18
 - Detection, 3-5
 - Differences from *mach32*, 19
 - Enhancements relative to *mach32*, 18
 - Major features, 17
 - Overview, 12
 - mach64*VT/GT Register Access, 8-2
 - Manual mode switching, 3-10, 7-7
 - Memory
 - Accessing memory mapped registers, 2-3, 8-4
 - Aperture, 3-1
 - Big aperture, 3-3
 - Small dual paged aperture, 3-3
 - Standard paged 64KB VGA aperture, 3-2
 - Bandwidth, 7-22
 - Example calculation, 7-24
 - Map
 - Intel-based platforms, 2-1
 - Non-Intel platforms, 2-6
 - Memory Aperture Service, A-4
 - Mode switching, 3-7
 - BIOS interface, 3-9
 - CRTC compatibility, 3-7
 - Designing a custom CRT mode, 7-9
 - Manual, 3-10, 7-7
 - VESA modes, 3-8
 - Mode Table Structure, A-32
 - Monochrome expansion bitblt, 6-35
 - Sample code, 6-35
 - Monochrome to two-colour colour expansion circuit, 6-3
 - Block diagram, 6-4
- N**
 - Non-volatile storage, 7-7
 - Notations and conventions, 20
- O**
 - Operating modes
 - Accelerator mode, 3-1, 3-7
 - VGA mode, 3-1, 3-7
 - Overlay, 8-5
 - Overlay Programming, 8-11
 - Overlay Scaling, 8-11
- P**
 - Packed 24 bpp display mode
 - Drawing in, 6-40
 - Packed Pixel Modes, 8-8
 - Parameter Tables, F-1
 - Pattern consumption, 6-9
 - Pattern source, 6-38
 - Fixed patterns, 6-38
 - Sample code, 6-38
 - Performance issues, 7-20
 - Block write, 7-22
 - Concurrency, 7-21
 - Draw speed, 7-20
 - Efficiency, 7-21
 - Expansion buses, 7-21
 - Memory bandwidth, 7-22
 - Example, 7-24

Redundancy, [7-20](#)
 Performing a Blt Using the Front End
 Scaler, [8-13](#)

Pixel

Depth, [6-23](#)
 Logical data path, [6-2](#)
 Pixel Clock Tables, [G-1](#)
 Planar Pixel Modes, [8-8](#)
 Polygons, [7-1](#)
 Drawing, [7-1](#)
 Sample code, [7-2](#)
 Program a Specified Clock Entry, [A-8](#)
 Protected mode vs. real mode
 Linear aperture, [3-4](#)

Q

Query Device, [A-7](#)
 Query Structure, [A-28](#)

R

RAGE PRO CRT Parameter Table, [A-37](#)
 Read EEPROM Data, [A-3](#)
 Rectangle fill, [6-27](#)
 Sample code, [6-28](#)
 Redundancy, [7-20](#)
 Refresh Rate Structure, [A-16](#)
 Refresh Rate Support, [A-15](#)
 Register mapping
 Accessing I/O mapped registers, [2-5](#)
 Accessing memory mapped
 registers, [2-3, 8-4](#)
 Register summary, [2-3, 8-3](#)
 Accelerator CRTIC and DAC
 registers, [2-3, 6-1](#)
 Draw engine context control
 registers, [2-3, 6-2](#)
 Draw engine trajectory control
 registers, [2-3, 6-2](#)
 Setup and control registers, [2-3, 6-1](#)
 VGA, [2-3](#)
 Re-initialize Digital Signal Processor, [D-4](#)
 Re-initialize the Graphics Controller's
 DSP, [D-4](#)

Return / Select 475 Lines VGA Mode, [B-31](#)
 Return / Select Active Display, [B-21, C-5](#)
 Return / Select Cursor Blink Rate, [B-26,](#)
[C-10](#)
 Return / Select Dithering, [B-25, C-9](#)
 Return / Select ImpacTV Auto-Display
 Switch, [D-4](#)
 Return / Select ImpacTV Configuration, [D-1](#)
 Return / Select Power Management
 Mode, [B-22, C-6](#)
 Return / Select Refresh Rate, [B-23, C-8](#)
 Return Clock Chip Frequency Table, [A-8](#)
 Return Current Display Information, [B-32,](#)
[C-11](#)
 Return Current DPMS State in LC, [A-9](#)
 Return Current Graphics Controller Power
 Management State, [A-9](#)
 Return External Storage Device
 Information, [A-10](#)
 Return Graphics Hardware Capability
 List, [A-5](#)
 Return ImpacTV Aligner Group, [D-5](#)
 Return ImpacTV Aligner Information For Fast
 Aligner Algorithm, [D-6](#)
 Return ImpacTV Aligner Information For Slow
 Aligner Algorithm, [D-4](#)
 Return Panel Identity Information, [B-12](#)
 Return Panel Type and Controller
 Supported, [B-2](#)
 Return Query Device Data Structure in
 Bytes, [A-7](#)
 Return TV Standard, [D-3](#)
 ROM Base Address, [A-1](#)
 ROM Header, [A-40](#)

S

Sample code
 Base address query, [4-2](#)
 BIOS services initialization, [3-10](#)
 Drawing
 In packed 24 bpp mode, [6-41](#)
 Polygons, [7-2](#)
 Rectangles, [6-27](#)
 Hardware cursor programming, [6-44](#)

- Initializing
 - DAC, [5-4](#)
 - Draw engine, [5-9](#)
- Line draw, [6-25](#)
- Line patterns, [6-36](#)
- Linear aperture
 - Enabling, [4-3](#)
 - Using, [4-5](#)
- Linear source, [6-34](#)
- Monochrome expansion bitblt, [6-35](#)
- Physical address conversion, [4-2](#)
- Rectangle fill
 - Fixed patterns, [6-38](#)
 - General 2D pattern, [6-32](#)
 - Rotated 2D pattern, [6-33](#)
 - Solid colour, [6-28](#)
 - Using host data, [6-28](#)
- Resetting the command FIFO, [5-2](#)
- Scrolling and panning
 - Calculating CRTC_OFFSET, [7-5](#)
- Simple one-to-one bitblt, [6-31](#)
- Transparent bitblts, [6-37](#)
- Waiting for engine idle, [5-2](#)
- Save and Restore Graphics Controller
 - States, [A-14](#)
- Scaler, [8-5](#)
- Scissoring and masking, [6-42](#)
- Scratch Registers, [A-38](#)
- Scrolling and panning, [7-5](#)
 - Sample code, [7-5](#)
- Set Display Mode, [A-3](#)
- Set Graphics Controller Power Management
 - State, [A-9](#)
- Set the DAC to Different States, [A-10](#)
- Setting up a GUI Master Operation, [8-17](#)
- Setup and control registers, [2-3, 6-1](#)
- Short Query, [A-11](#)
- Short Query Function, [A-4](#)
- Simple one-to-one bitblt, [6-31](#)
 - Sample code, [6-31](#)
- Single buffering (delta framing), [7-7](#)
- Single buffering (synchronized), [7-6](#)
- Solid rectangle fill, [6-27](#)
 - Sample code, [6-28](#)
- Source and destination
 - Alignment, [6-20](#)
 - Mixing logic, [6-22](#)
 - Trajectories, [6-10](#)
 - Source trajectory 1, strictly linear, [6-15](#)
 - Source trajectory 2, unbounded Y, [6-15](#)
 - Source trajectory 3, general pattern, [6-16](#)
 - Source trajectory 4, general pattern with rotation, [6-17](#)
 - Specialized bitblt source, [6-35](#)
 - Strictly linear, [6-34](#)
 - Sample code, [6-34](#)
 - System BIOS Int 15h, [B-35, C-13](#)
 - System Bus Master Transfer, [8-17](#)
- T**
 - Trajectories, [6-10](#)
 - Destination trajectory 1, rectangular, [6-12](#)
 - Destination trajectory 2, line, [6-13](#)
 - Side effects, [6-19](#)
 - Source trajectory 1, strictly linear, [6-15](#)
 - Source trajectory 2, unbounded Y, [6-15](#)
 - Source trajectory 3, general pattern, [6-16](#)
 - Source trajectory 4, general pattern with rotation, [6-17](#)
 - Trajectory modifier 1, SRC_BYTE_ALIGN, [6-18](#)
 - Trajectory modifier 2, DST_POLYGON_EN, [6-18](#)
 - Trajectory modifier 3, DP_BYTE_PIX_ORDER, [6-19](#)
 - Transparent bitblts, [6-37](#)
 - Sample code, [6-37](#)
 - TV-Out, [A-41](#)
 - TV-Out Information, [A-41](#)
- U**
 - Unpacker / Dynamic Range Corrector, [8-10](#)
 - UV Interpolation, [8-12](#)
- V**
 - VESA BIOS Extensions / Flat Panel
 - Functions, [B-12](#)

VESA mode support, [3-8](#)
VGA interaction, [4-6](#)
VGA mode, [3-1](#)
VGA registers, [2-3](#)
Video Feature Support, [A-17](#)
Viode Mode Support Determination, [A-7](#)

W

Write EEPROM Data, [A-4](#)

